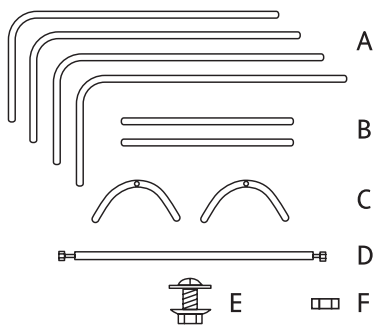


220L Compost Tumbler

Tumbleweed's 220L Compost Tumbler is ideal for small gardens and courtyards - you can even place it on concrete or pavers. You'll find Tumbleweed's 220L Compost Tumbler is the easiest way to compost - just load the barrel then turn it every few days. A built in breaker bar will mix and aerate to speed decomposition, leaving you with fantastic mulch in just four weeks or rich compost in six.

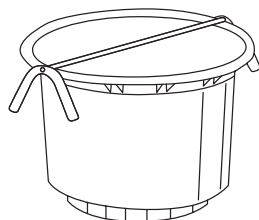
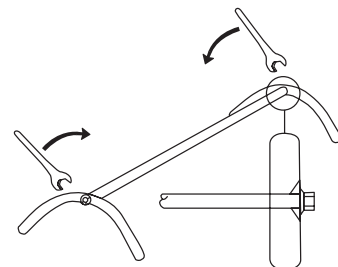
Assembly Instructions



Contents

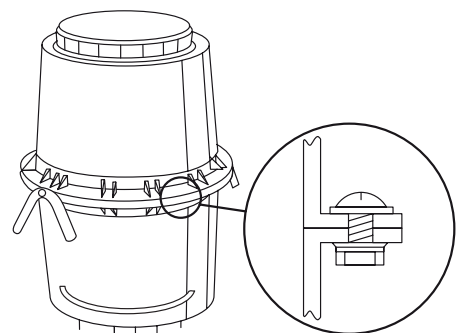
- | | | | |
|---|--------------------------|---|---|
| A | Legs x 4 | E | Drum joining screws x16
(screws, washers & nuts) |
| B | Dowels x 2 | F | Nuts x 2 |
| C | Elbows x 2 | | |
| D | Centre shaft assembly x1 | | |

- 1 Remove nuts from Centre Shaft assembly (D) and fit elbows (C) with indent facing out. Refit nuts and tighten each end using two spanners turning in opposite directions until nuts lock.

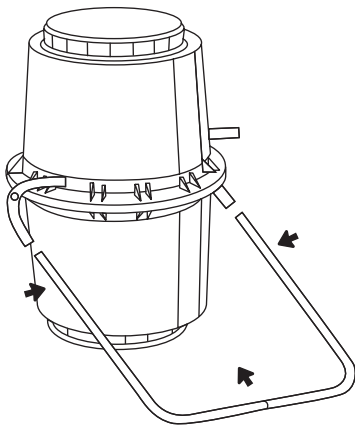
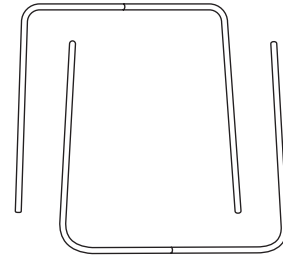


- 2 Locate Centre Shaft assembly in bearing grooves of one drum half.

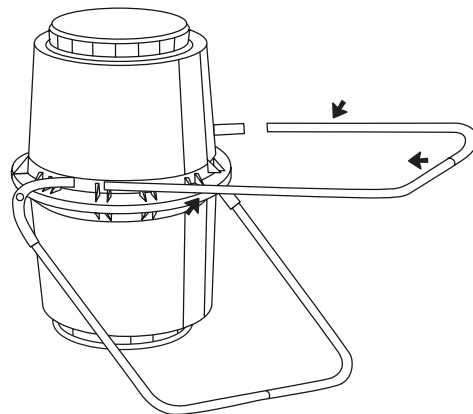
- 3 Assemble drum by placing second half on top of first half making sure to locate bearing grooves. Join drum halves together using drum joining assembly (E). Fit 16 screws with washers in holes before adding and tightening nuts.



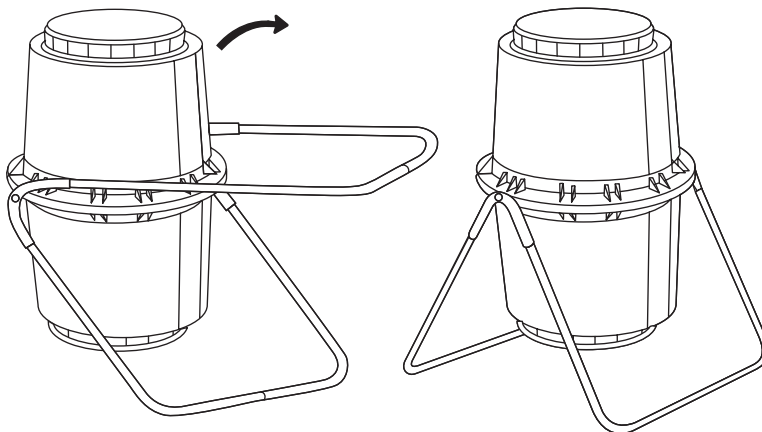
- 4** Assemble both sets of legs (A) together by fitting dowel (B) into short part of legs and pressing together and repeat for second set.



- 5** Fit one leg set to elbows by pressing “U” shape together sufficiently to allow entry to elbows.



- 6** Fit second leg set to elbow using the same method.



- 7** Lift Tumbleweed 220L Compost Tumbler onto the stand.