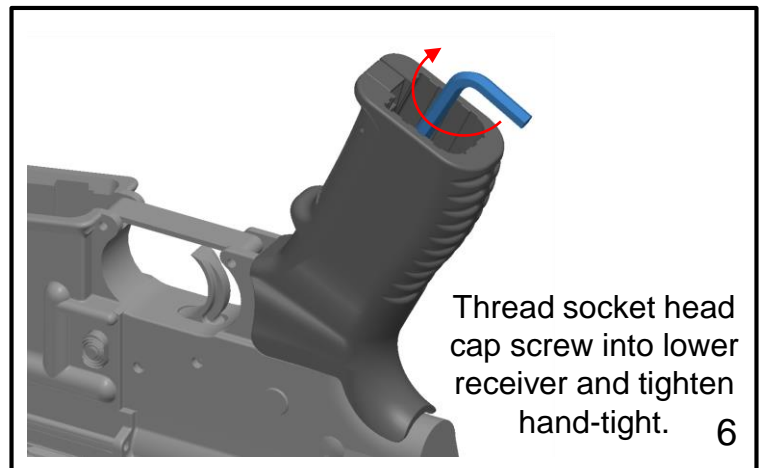
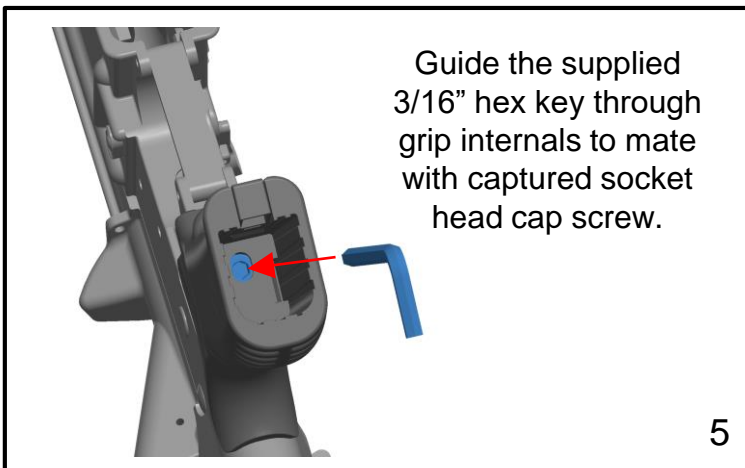
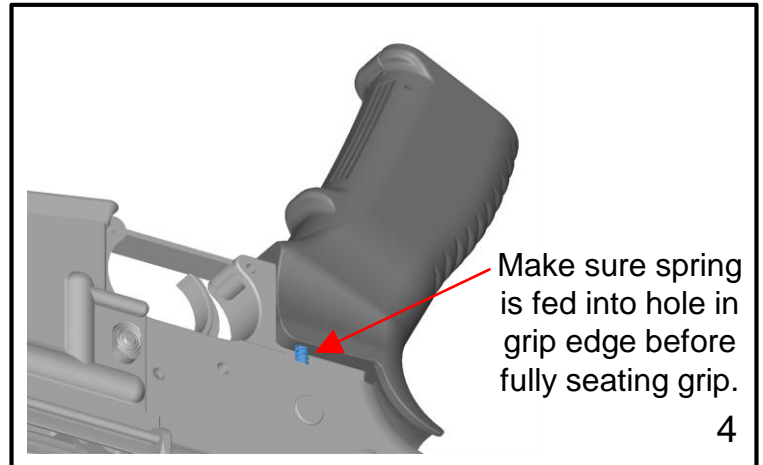
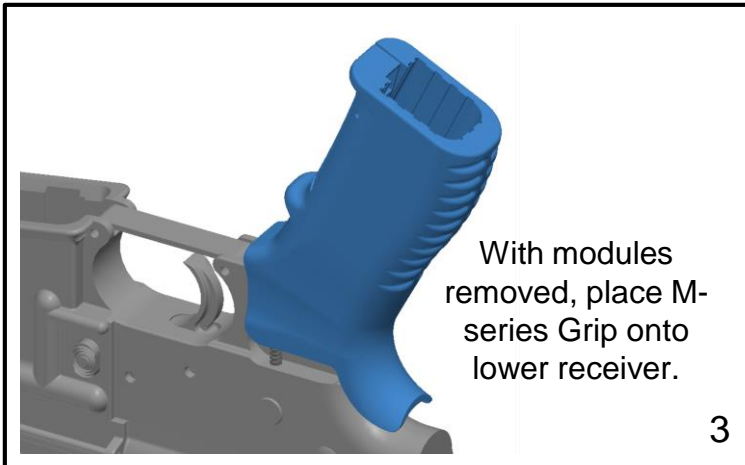
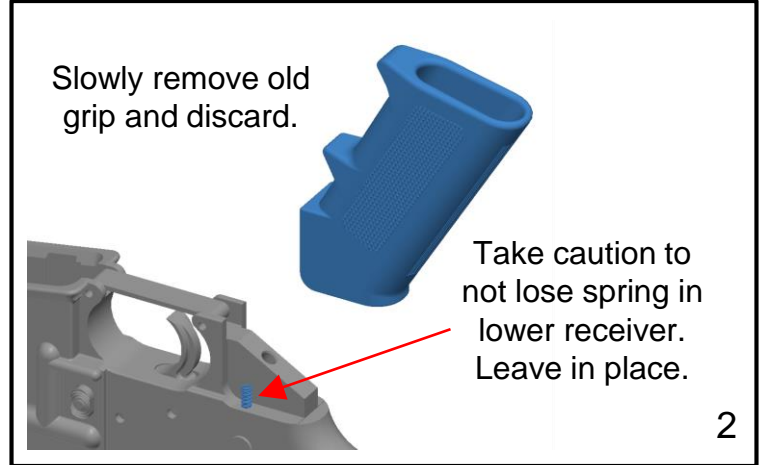


M-SERIES

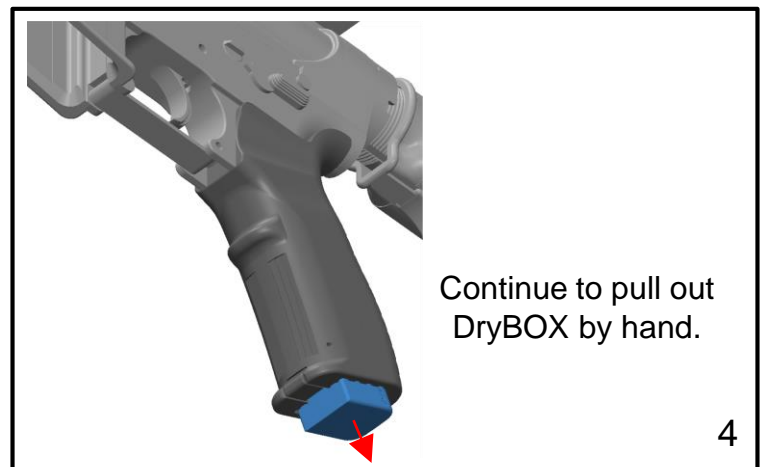
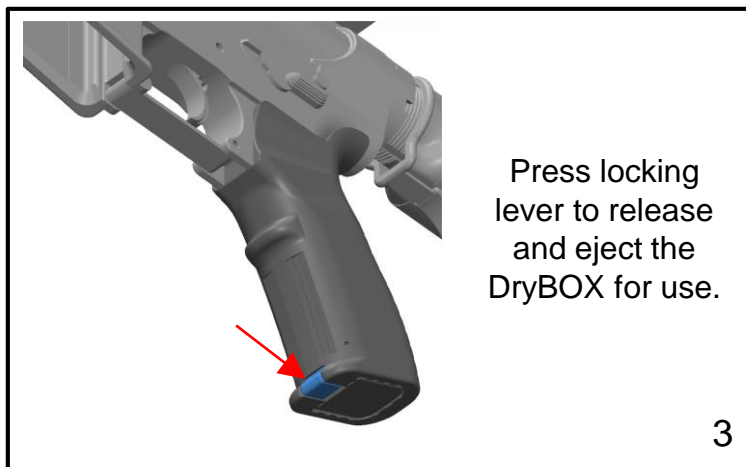
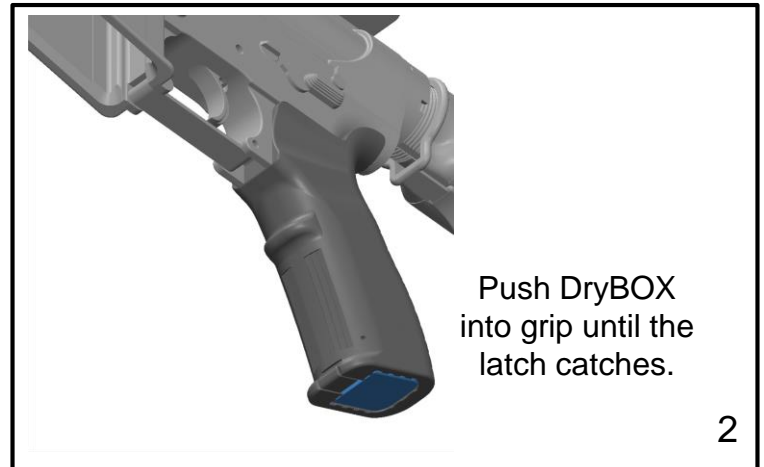
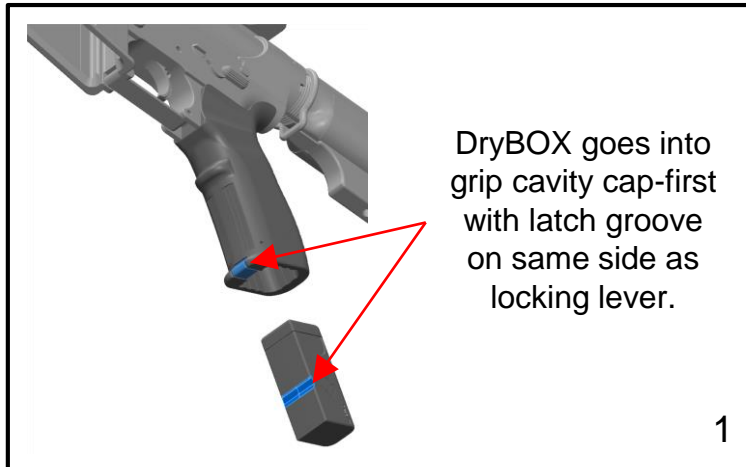
GRIP SYSTEM

Grip Installation Guide

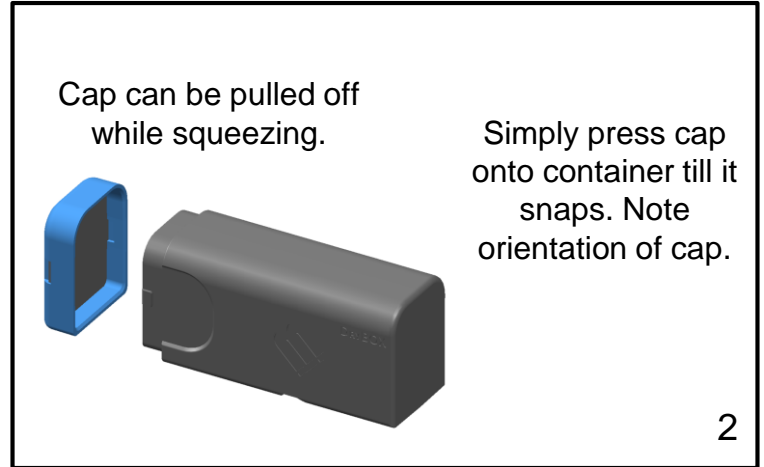
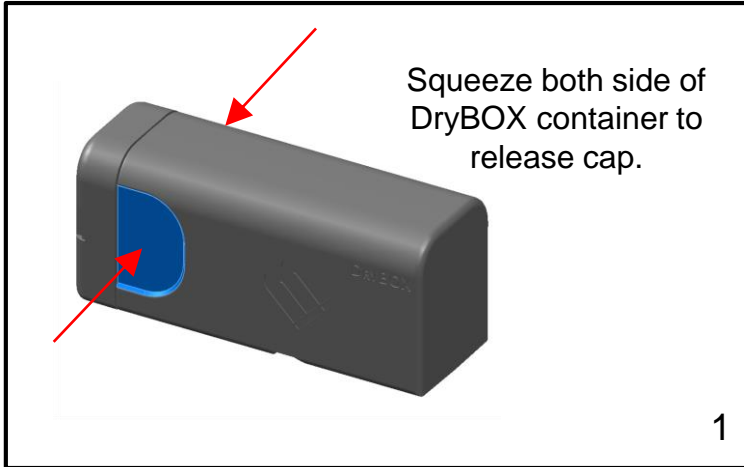
Before installing grip, make sure weapon is unloaded and made safe!



M-Series Grip Basic Operation (DryBOX shown)



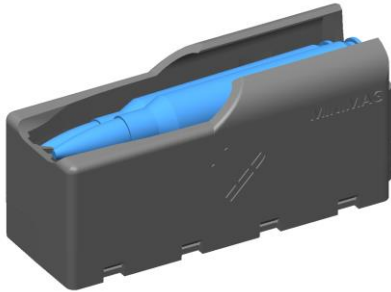
DryBOX Operation



MiniMAG Operation

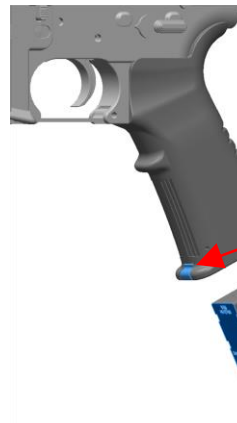
Loading MiniMAG into Grip

Three rounds
(.223Rem/5.56NATO/300BLK)
will fit into MiniMAG. Be
sure to push rounds
rearward to seat
properly.



1

Flat side of MiniMAG
goes on same side as
grip's locking lever.

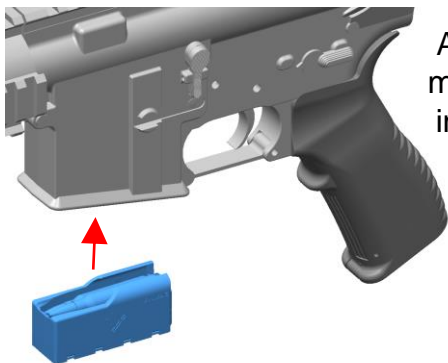


Front end of MiniMAG
goes into grip cavity first.

2

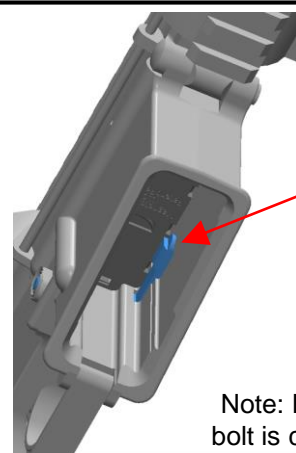
Loading MiniMAG into Weapon

Align MiniMAG to
magazine well and
insert, pushing all
the way up with
finger tips.



1

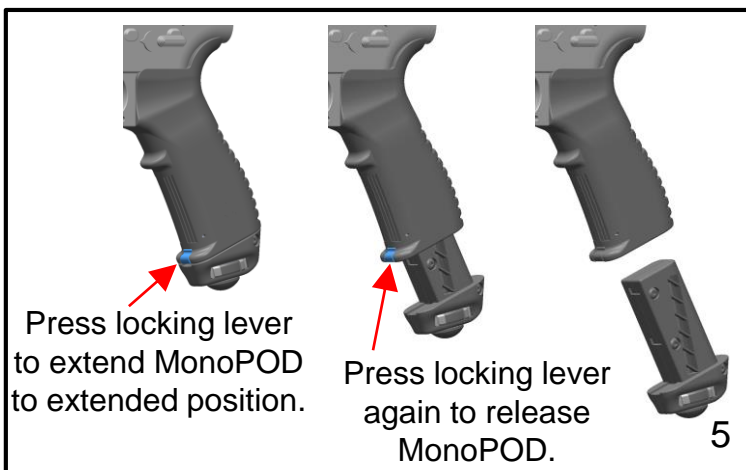
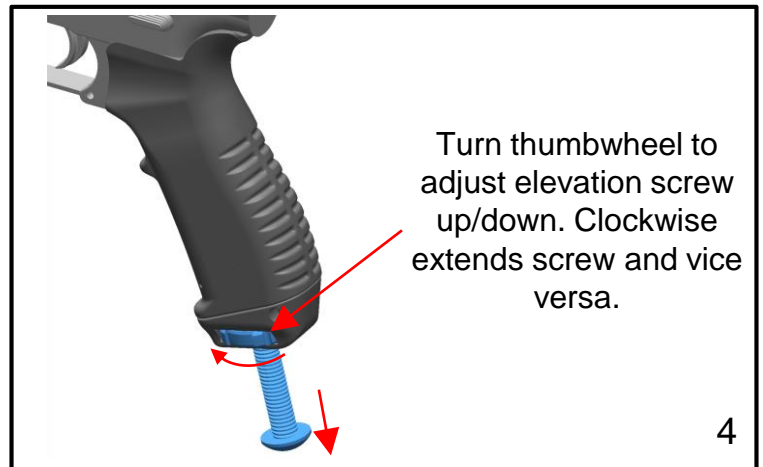
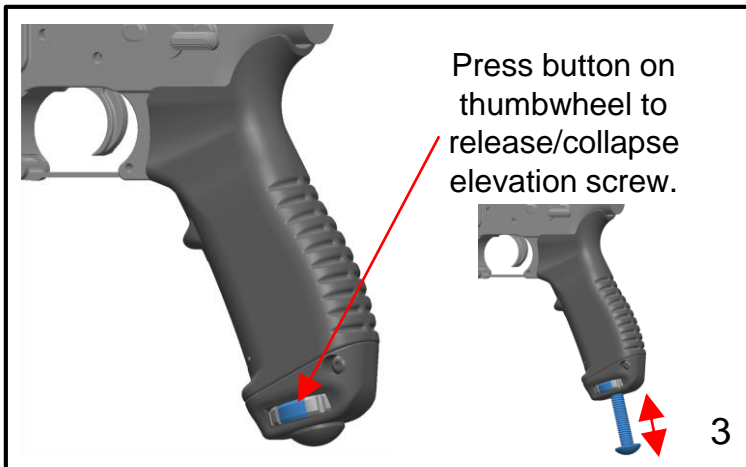
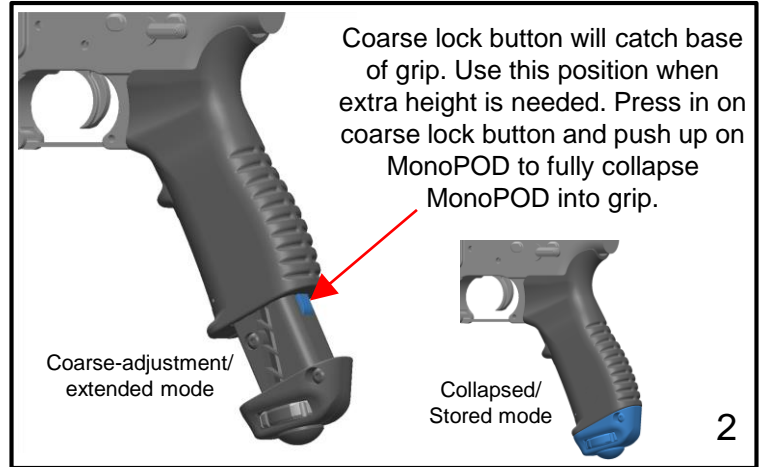
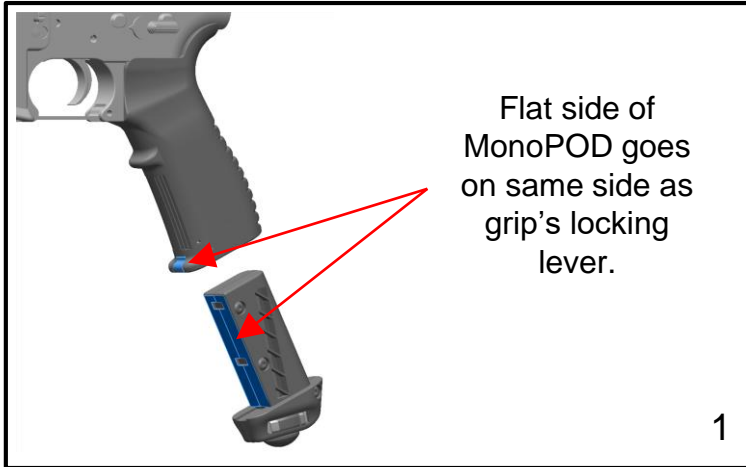
Make sure MiniMAG sits
ABOVE magazine catch
and magazine catch is fully
engaged.



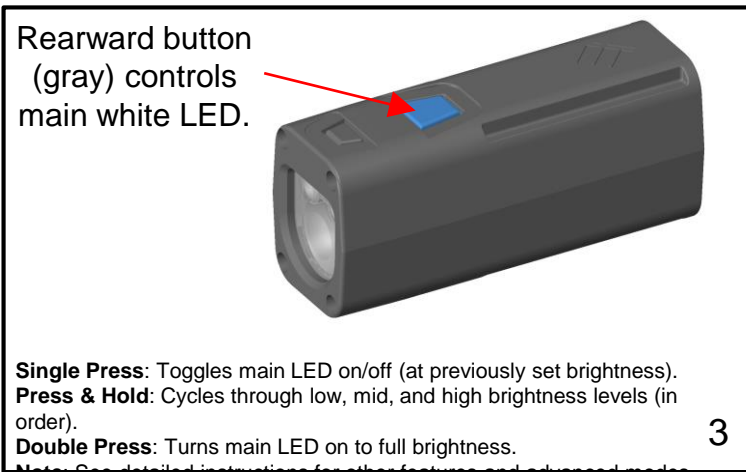
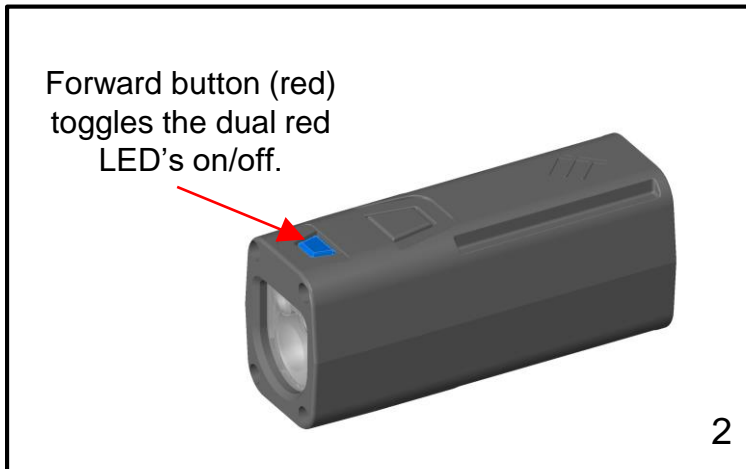
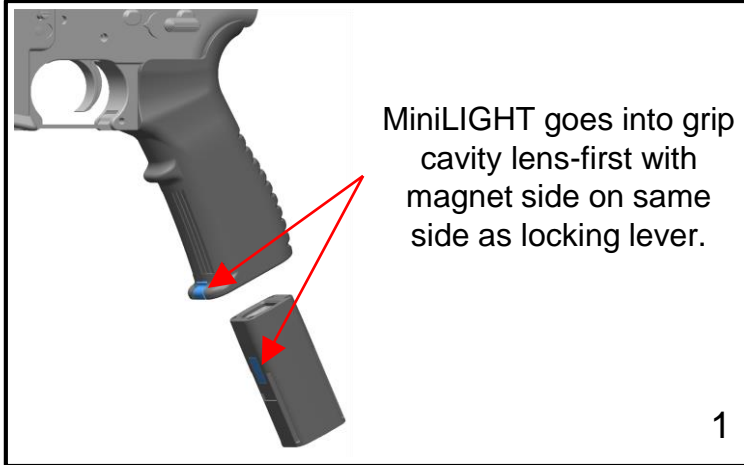
Note: Extra force may be required if
bolt is closed while loading MiniMAG.

2

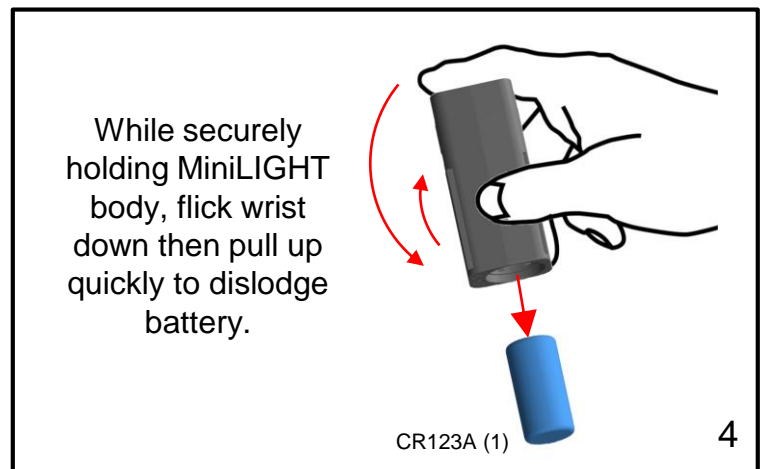
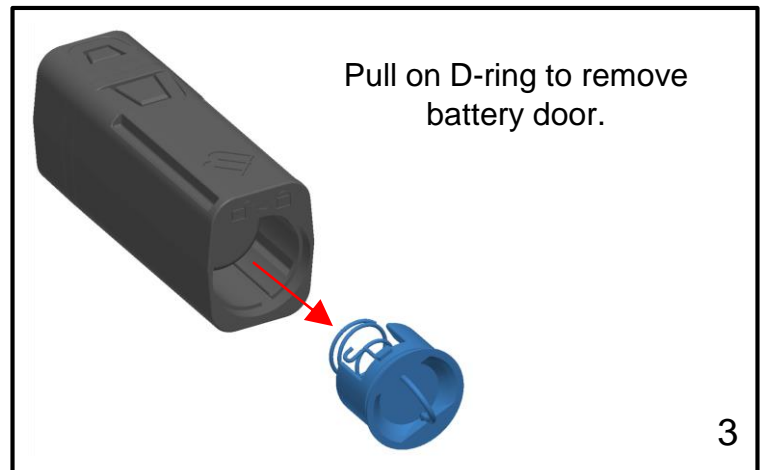
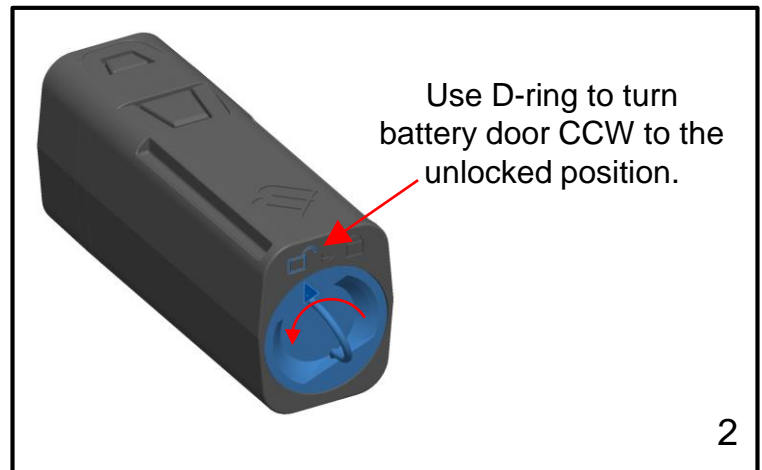
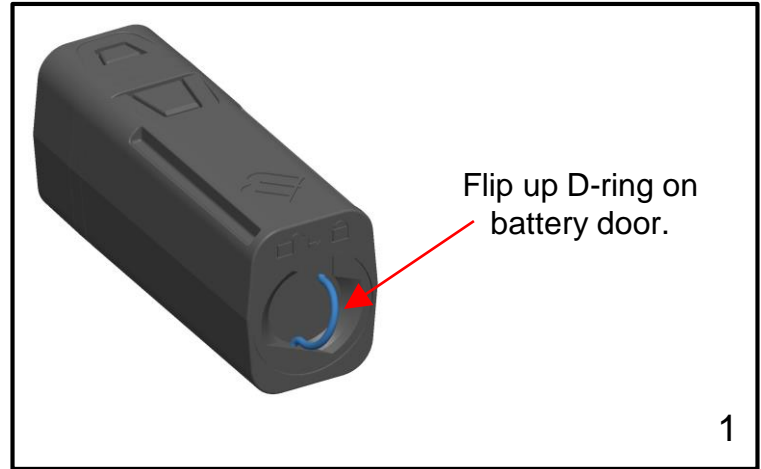
MonoPOD Operation



MiniLIGHT Operation



MiniLIGHT Battery Removal



MiniLIGHT 1913 Rail Mount

