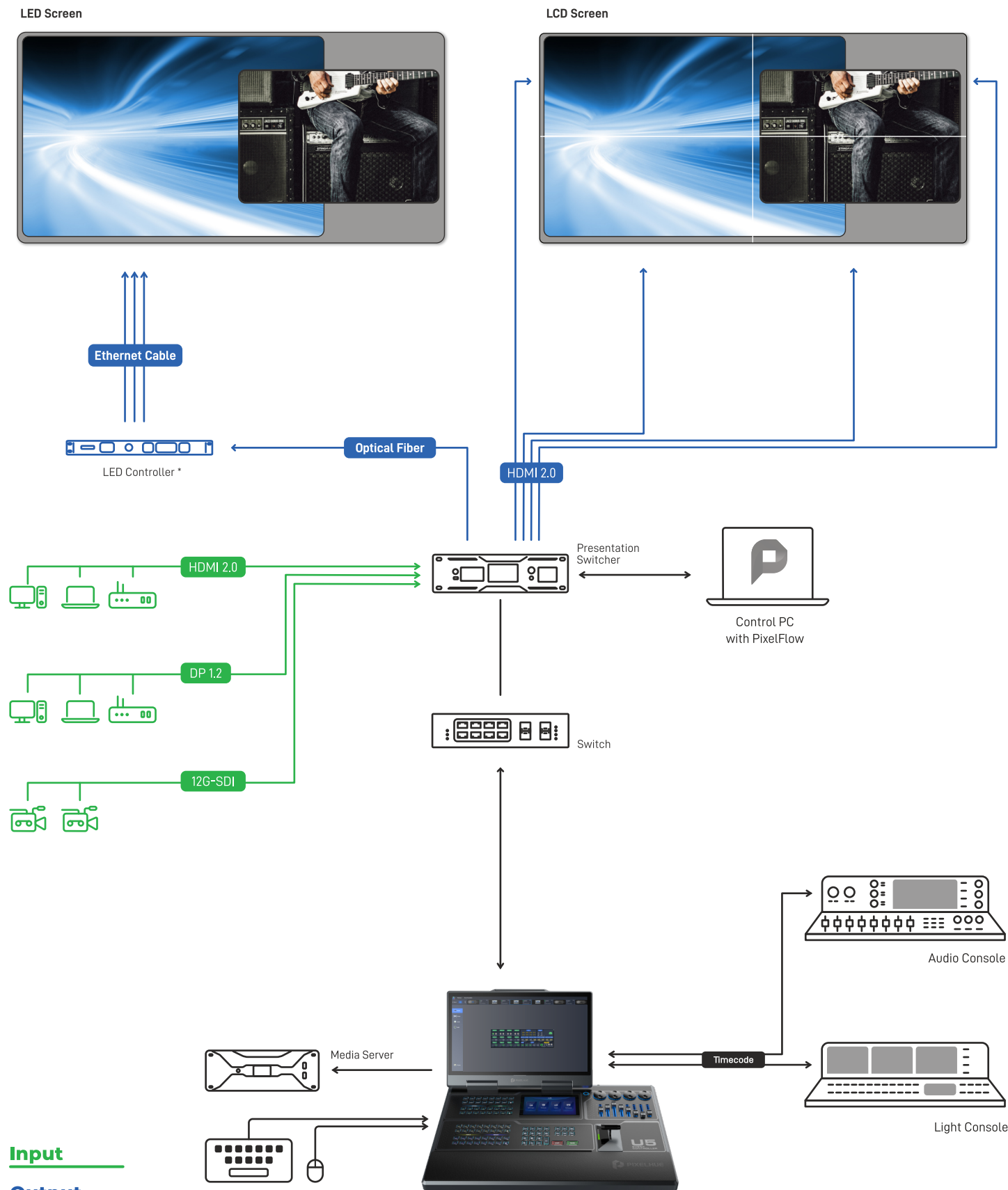
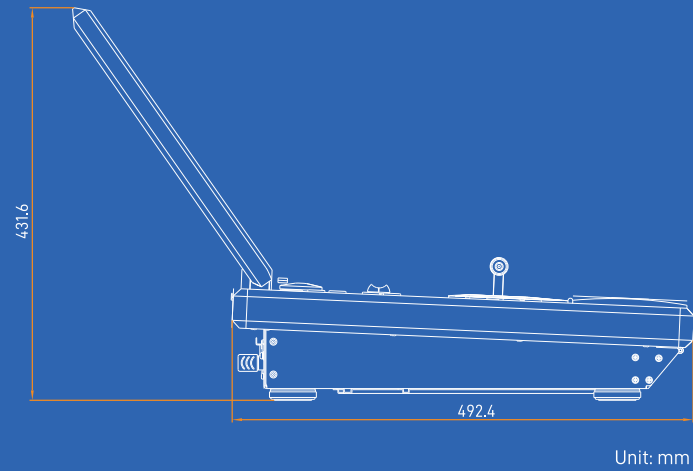
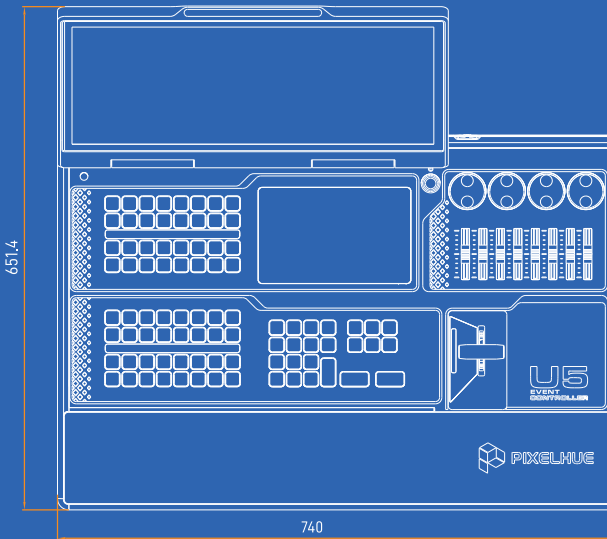


# APPLICATION



\* Only LED controllers from NovaStar are supported for now.

## Dimensions



## Specifications

### Dimensions (with handles, rack ears & rack mount)

740 mm × 651.4 mm × 431.6 mm  
29.13 × 25.65 × 16.99 inches  
Please refer to the dimension diagram for more details

### Product Weight

24 kg (Net weight)  
55 kg (With accessories and flight case)

### Noise on Average (@1, 0.75m height)

40 dB

### Electrical Parameters

Power connector: AC100 V~240 V 50/60Hz  
Max power consumption: 240 W

### Operating Conditions

Operating Environment:

- Temperature: 0°C to 45°C (32°F to 113°F)
- Humidity: 0% RH to 80% RH, non-condensing

Storage Environment:

- Temperature: -20°C to +60°C (-4°F to 140°F)
- Humidity: 0% RH to 95% RH, non-condensing

### Safety Compliance

CE, FCC, IC (In progress)

### Packing Information

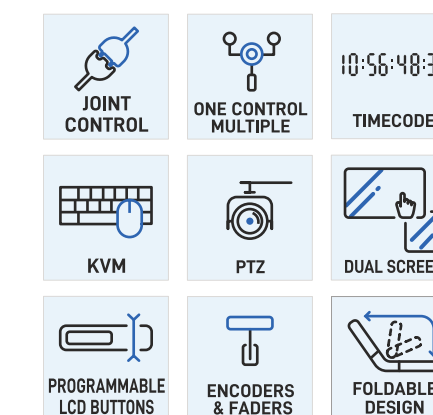
- 1x Optional Power Cable
- 2x HDMI Cable Male to Male, 3m
- 1x Cat5e Ethernet Cable\_P-CAT5, 3m
- 1x USB Type-B to Type-A, 3m
- 1x Flight Case
- 1x Dust Cover
- 1x USB Drive
- 1x Gooseneck Lamp
- 1x Quick Start Guide
- 1x Customer Letter
- 1x Safety Manual
- 1x Certificate of Approval



www.pixelhue.com  
info@pixelhue.com  
010 - 8843 3970  
1201A, 8 Caihefang Road, Haidian District, Beijing, China

**Note:**  
Specifications subject to change without prior notice.

U5\_EN-30/04/2023



# U5

Compact Event Controller

# U5

## Compact Event Controller

The U5 is a brand new compact-sized event controller developed by PIXELHUE. Compared to its predecessor, the U5 features smaller form factor, more innovative design highlights and more convenient operation and control over multiple different devices in the field, which will further facilitate your events today, such as corporate conferences, interactive live shows, music tours, immersive art exhibitions, and more.



## OPTIMAL CONTROL AND OPERATION EXPERIENCE AT YOUR FINGERTIPS

Equipped with the leading-edge core architecture and SSD(NVMe), the U5 event controller enables the most fluent and fast operations ever. With the design concept of increasing operational efficiency and satisfying the various changing needs that may arise from event scenarios, the U5 event controller comes with all the crucial functionalities that you may need. The newly-upgraded built-in software PixelFlow with always user-friendly GUI helps you manage devices, screens, layers, sources, presets more stably and easily. The magnificent interactive design maximizes user convenience and shortens your learning curve. Convenient control over multiple presentation switchers and media servers greatly simplifies your

on-site deployment and brings more convenience and ease to your events. In addition, timecode generating and accepting support, timecode format conversion ability and MIDI support add extra value to all spectacles.

## INNOVATIVE DESIGN, BORN FOR EVENTS

The U5 event controller comes with a compact size and lightweight ruggedized housing, 87 user-programmable LCD buttons, four encoders and eight faders, a high-resolution T-bar, etc, to bring you the maximum ease of use for your events. What's more, the stunning design of 21.5" Main Touchscreen and 8" Smart Touchscreen enables the more visualized and convenient operations, as well as a foldable design makes it easily survive in any road trips. All these make it the perfect solution for various spectacular live events.

## FEATURES

Built-in upgraded software PixelFlow with more user-friendly GUI, shorter learning curve

Timecode generating, receiving and conversion abilities; LTC, MTC and MIDI USB timecode formats support

Simultaneous control over multiple switchers and media servers

Control over third-party devices via MIDI protocol

KVM function

PTZ control

Compact size

High anticorrosive aluminum housing, lightweight body design

Foldable design, with main screen readable and operationable at 45 to 125°

21.5" Main Touchscreen and 8" Smart Touchscreen for visualized and convenient operations

Smart Touchscreen for displaying still images, timecode, device health and Multiviewer

4x encoders and 8x faders, configurable as internal software function buttons or as MIDI buttons

User-programmable LCD indication buttons for names, pages and more

Free replacement of button skin and styles

Unique design for convenient disassembly and easy maintenance

# APPEARANCE



User-programmable LCD function buttons satisfy all your operation requirements in the field. Function names, pages and more can be clearly shown on the buttons, and the button skins and styles can be customized as you wish.

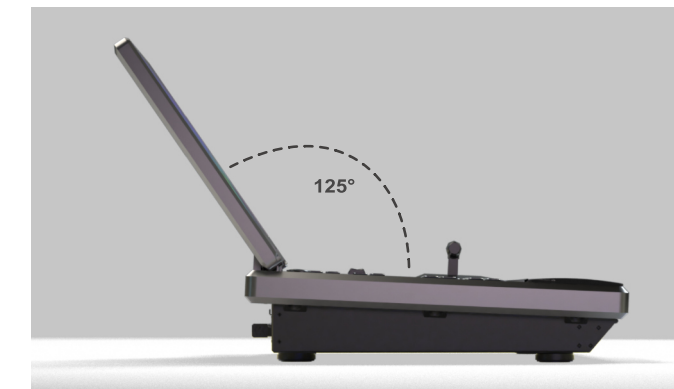
Smart screen provides supplementary display for still images, timecode info, device health statuses and Multiviewer info.



Four encoders and eight faders make the event operations unrivaled convenient. Also, the encoders and faders can be bound with external MIDI functions for volume adjustment and more.



Abundant standard I/O connectors are provided on the rear panel to help you connect all necessary devices at ease.



Foldable design enables worry-free transportation and storage; gas strut design makes regular maintenance possible and easier.

