



 **SYSOLUTION**

S50S

2-in-1 Video Processor

Product specification

Version number: Ver.1.0

Statement

(hereinafter referred to as Xixun Technology) as the control system for your LED advertising equipment. The main purpose of this document is to help you quickly understand and use the product, we strive for accuracy and reliability in the preparation of the document, the content may be modified or changed at any time without notice.

Copyright

The copyright of this document belongs to Xixun Technology, without the written permission of the company, any unit or individual may not copy or extract the content of this document in any form, violators will be investigated.

Trademark



is a registered trademark of Xixun Technology.

Update record

NO.1	Version number	Update	Date of revision
1	Ver.1.0	First Release	2021.07.19

Note: The content of the document is subject to change without notice.

Shenzhen Xixun Cloud Technology Co., Ltd.

Product Description

S50S is a pure hardware device developed for LED display with easy operation and rich functions, supporting HD multi-type interface input, integrating professional display control technology and powerful video processing capability, simplifying the field environment to build a video processor, using a high-performance image processing chip; with advanced interlaced image adaptive processing technology and super clear noise reduction engine to eliminate the gauge frequency image motion Dragging and jagged phenomenon, video image enhancement technology makes more clear and delicate, rich in detail, full of colour and stable image quality.

Applicable scenarios

Suitable for a wide range of applications such as small and medium-sized LED displays in shopping malls, hotels, exhibition displays and TV studios.

Features

1. 5.2 megapixels in a single unit with customised output resolution of up to 7680 pixels horizontally and 3840 pixels vertically.
2. 4 simultaneous screen displays.
3. Audio/video switching/volume adjustment.
4. Input ports: DVI*1,HDMI*2, DP*1, VGA*1, Audio*1.
5. Template saving and loading.
6. Seamless multi-screen switching and seamless single layer switching.
7. Timetable, one-touch blackout, built-in test chart card, USB upgrade, key lock.

Product Images



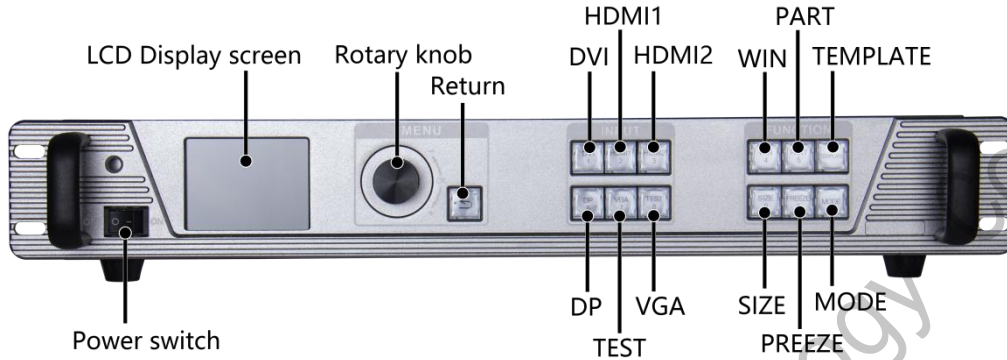
Load Range

Load carrying capacity	Single Network Port	650,000 pixel point
	Complete machines	5.2 million pixel point
Maximum width points	Complete machines	7680
Maximum number of points	Complete machines	3840

Shenzhen Xixun Cloud Technology Co., Ltd.

Interface Definitions

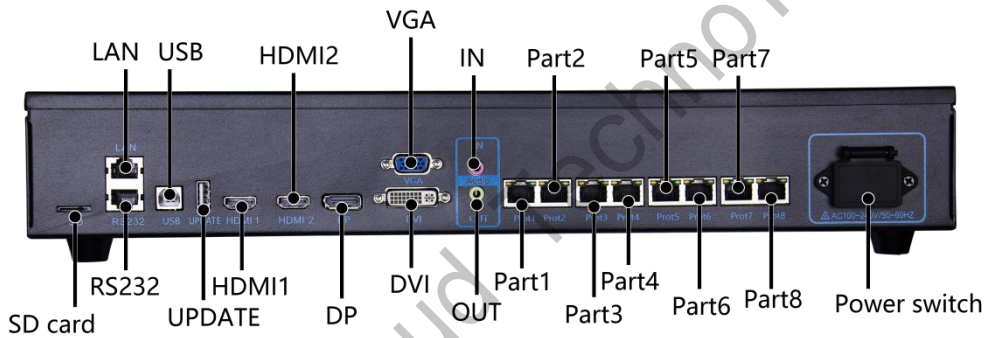
Front panel



Front Panel Description		
Serial number	Keystrokes	Description
1	Power switch	Power on/off of the device
2	LCD screen	Display of the operating menu
3	Operating buttons	Knob button for menu selection Return button
4	Input source switching keys	DVI, DVI input/number key 1 HDMI1, HDMI1 input/number key 2 HDMI2, HDMI2 input/number key 3 DP, DP input/number key 6 VGA, VGA input/number key 7 TEST, test chart card key/number key 8

5	Function buttons	WIN, layer selection / numeric key 4
		PART, partial full screen shortcut/number key 5
		TEMPLATE, multi-screen template shortcut
		SIZE, screen resizing shortcut/number key 9
		FREEZE, image blacked out / numeric key 0
		MODE, loading scene shortcut

Rear panel



Extended Function Interface		
Interface	Number	Description
SD card	1	Installation of SD cards to store large screen configuration parameters for data patrol
Input interface		
Interface	Number	Description
DVI	1	1920x1080/60HZ, 3840*540/60HZ and EDID management
HDMI1	1	1920x1080/60HZ, 3840*1080/60HZ and EDID management
HDMI2	1	1920x1080/60HZ, 3840*1080/60HZ and EDID management

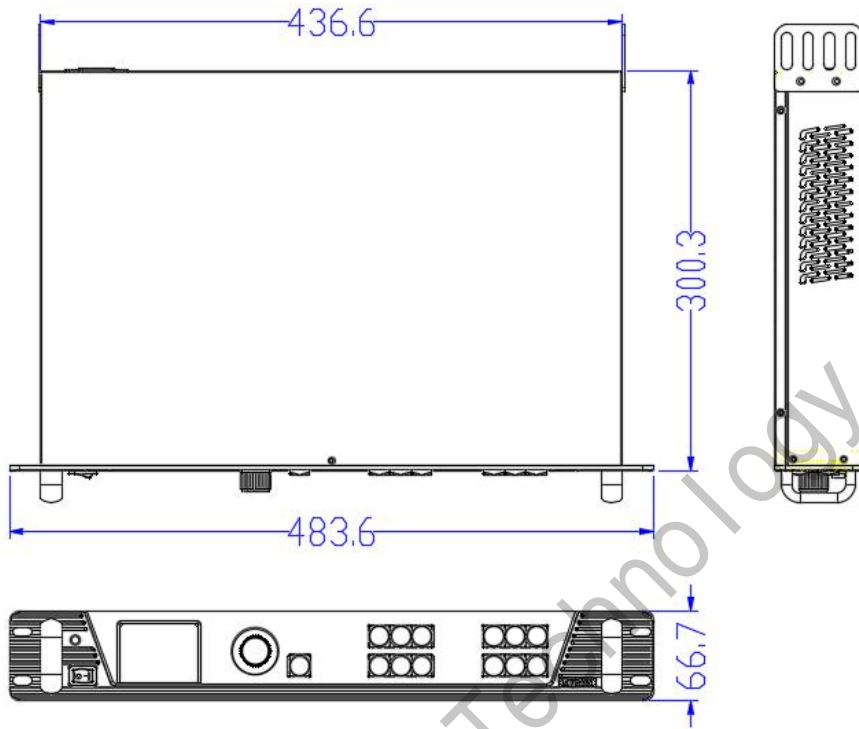
DP	1	1920x1080/60HZ, 3840*2160/60HZ and EDID management
VGA	1	1920x1080/60HZ and EDID management
Output Connector		
Interface	Number	Description
Gigabit network port	8	Interface type. RJ45 Transmission speed: 1000BaseTX Receiver card support: D70/D90 series receiver cards and multifunction cards
Processor control interface		
Interface	Number	Description
UPDATE	1	USB upgrade port
USB	1	Supports 1920 x 1200 @ 60Hz
LAN1	1	100 megabit network communication interface (reserved interface)
RS232	1	Serial port interface
Power supply interface		
Interface	Number	Description
Power connector	1	AC power input interface 100V~240V

Working Parameters

Electrical parameters	Input voltage	AC-100-240V-50/60HZ
	Power rating	25W
Working environment	Operating temperature	0-45°C
	Working humidity	10%RH-90%RH no coagulation
Dimensions	Enclosure dimensions: 483.5 x 300.3 x 66.7 mm (L x W x H)	
Net weight	5KG	

Shenzhen Xixun Cloud Technology Co., Ltd

Dimensional Drawings



Unit: mm

Cautions

1. High voltage hazard: This product operates at AC -100V to 240V.
2. It is forbidden to immerse liquids, metal fragments and other conductive objects into the interior of the equipment to avoid safety accidents.
3. Please use the appliance in a dry, clean environment.

Shenzhen Xixun Cloud Technology Co., Ltd.