



Sync & Async Dual-mode Sending Box

M70

Product Specifications

Statement

Dear user friend, thanks for choosing Shanghai Xixun Electronic Technology Co., Ltd. (hereinafter referred to as Xixun Technology) as your LED advertising equipment control system. The main purpose of this document is to help you quickly understand and use the product. We strive to be precise and reliable when writing the document, and the content may be modified or changed at any time without notice.

Copyright

The copyright of this document belongs to Xixun Technology. Without the written permission of our company, no unit or individual may copy or extract the content of this article in any form.

Trademark



is a registered trademark of Xixun Technology.

Update Record

| No. | Version | Remark | Date |
|-----|---------|-----------------|------------|
| 1 | Ver.1.0 | Initial Release | 2020.01.02 |
| 2 | Ver.1.1 | Content change | 2021.05.27 |

Note: The contents of the document are subject to change without notice.

Shanghai Xixun Electronics Co., Ltd.

1 Product Introduction

The M70 synchronous and asynchronous dual-mode sending box is a highly integrated and high-performance quad-core Cortex-A17 core board, running at a frequency of up to 1.8GHz, and comes standard with 2G memory and 16GB EMMC high-speed flash memory, supports synchronous HDMI input and output signals . It is more suitable for commercial display fields, such as mirror screen, advertising machine, lamp post sign and other applications.

M70 supports synchronous HDMI input and asynchronous playback without additional parts like video processors and various cables., supports 4G/Wi-Fi wireless remote control by smart phone or laptop.

2 Product Introduction

1. Support synchronous and asynchronous dual mode playback;
2. Support HDMI input and output;
3. Support Lora modem to realize programs synchronization via wireless;
4. Integrate auto-light sensor interface, plug sensor probe in directly;
5. Onboard dual WiFi module, support AP mode and Station mode;
6. Web server built in, support local webpage produce; support editing offline programs via computer, iphone, android smart phone, laptop and so on.;
7. Support video hard decoding, support 1080p video and most of formats of video, image and text;
8. 1.3 million dual network ports loaded, the maximum width of asynchronous is 1920 pixels, the maximum of height is 1080 pixels, and the synchronization is 1.3 million custom width and height;
9. Support full color static, 1-32 scan modes modules, standard driver IC;
10. Support almost all types of driver IC like MBI, ICN,SUM, MY and so on ;
11. Industrial level Flash: 16GB;
12. Support plug in camera by USB ;
13. Support storage configuration parameters in receiver cards (The 8th and 9th Generation receiver card);
14. Use LedOK Express software.

3 Product Appearance

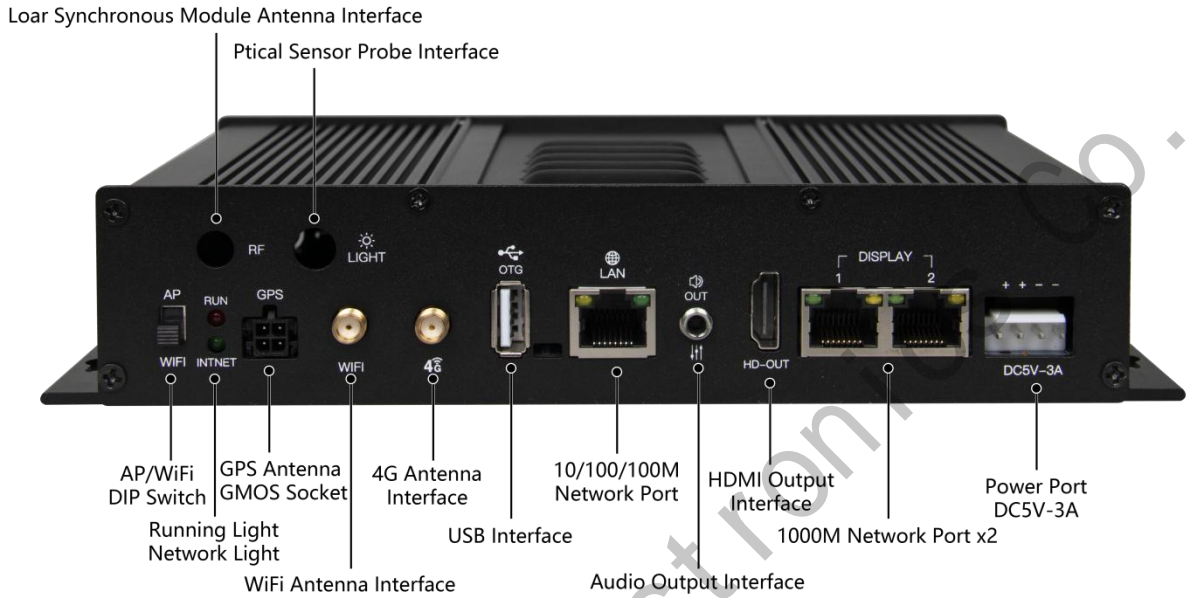


M70 Positive

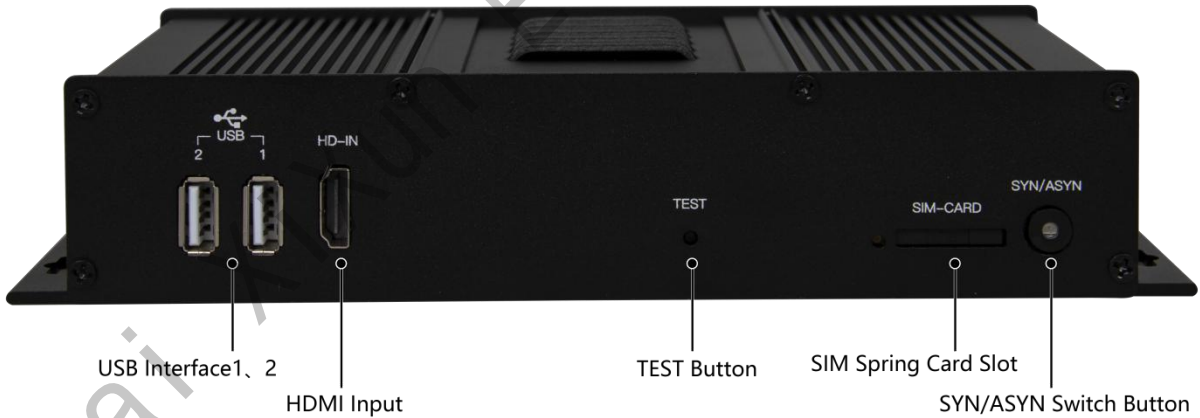


M70 Reverse

4 Interface Definition



M70 Front interface labeling



M70 Reverse interface annotation

5 Product Parameters

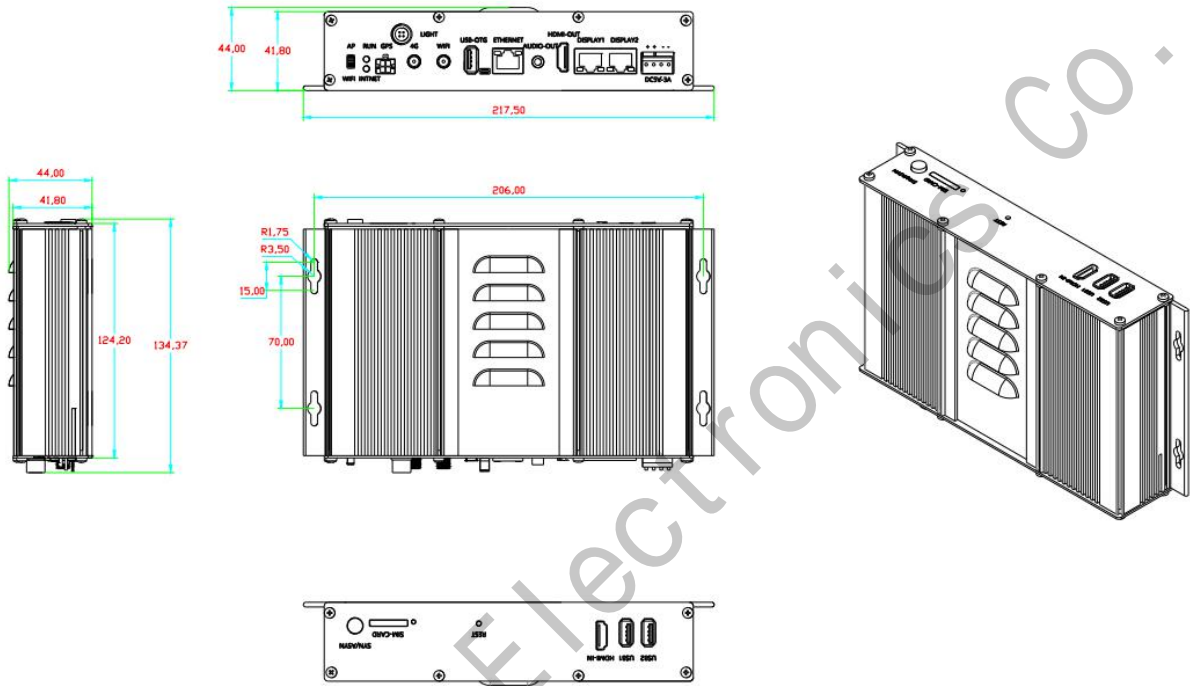
| Main Hardware Index | |
|----------------------|---|
| CPU | RK3288 strongest quad-core 1.8GHz Cortex-A17 |
| GPU | Quad-core GPU Mail-T764 |
| RAM | 2G |
| Internal memory | EMMC 16G |
| Built-in ROM | 2KB EEPROM |
| Decoding Resolutions | Maximum support 3840*2160 |
| Operating System | Android 7.1 |
| Play Mode | Support multiple playback modes such as loop, timing, insertion, etc. |
| Network | 4G、 Ethernet, support WiFi/Bluetooth 4.0, wireless peripheral expansion |
| Video | Support MP4 (.H.264、 MPEG、 DIVX、 XVID) format |
| USB2.0 Interface | 2 USB HOST、 1 USB OTG |
| Serial Port | IIC / TTL / 485 |

| | |
|-----------------|---|
| GPS | External GPS (optional) |
| WIFI、 BT | Built-in WIFI, BT4.0 (optional) |
| 4G | Built-in 4G module communication (optional) |
| Ethernet | 1, 10M/100M/1000M adaptive Ethernet |
| HDMI Output | Support |
| Audio Output | 3.5mm audio port |

6 Technical Parameters

| Working Parameters | |
|--------------------------|---------------------------|
| Power Input (V) | 5~12V 1~3A |
| Working Temperature (°C) | -30~75°C |
| Working Humidity (%) | 0%~80% RH |
| Stock Temperature (°C) | -40~80°C recommend 5~35°C |
| Dimension (mm) | 217 (L) x135 (W) x44 (H) |
| Weight (g) | 1300g |

7 Dimension Size



Unit: mm

8Cautions

1. Strictly prohibited to disassemble product by yourself;
2. Strictly prohibited to plug in or off Antenna with power on.

