

MSP 314-2



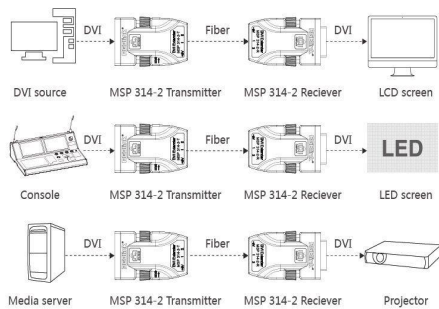
Key Features

- Compatible with VESA resolutions up to WUXGA (1920x1600) 60Hz
- Transmit 500m by 50/125um or 62.5/125um Multi Mode Fiber to extend DVI signal
- Transmit 2000m by Single Mode Fiber to extend DVI signal
- Built-in WDM wave plate , 1310nm/1550nm laser diode as optical source
- Compact shell structure

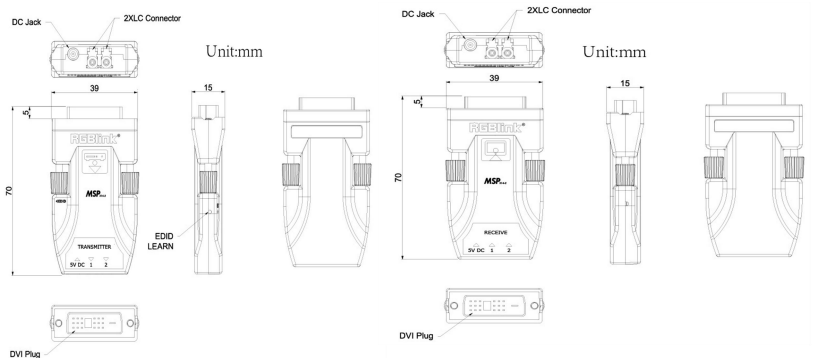
Specification

| | | | |
|--------------------|--------------------|-------------------------|---|
| Connectors | Input | Transmitter | 1xDVI |
| | | Receiver | 2xLC |
| | Output | Transmitter | 2xLC |
| | | Receiver | 1xDVI |
| Performance | Input Resolution | DVI | SMPTE 480i@60 576i@60 720p@50/60 1080p@50/60 |
| | | VESA | 800x600@60 1024x768@60 1280x768@60 1280x1024@60 1360x768@60 1400x1050@60 1440x900@60 1600x1200@60 1680x1050@60 1920x1080@60 1920x1200@60 2048x1152@60 2560x812@60 2560x816@60 |
| | Output Resolution | DVI | SMPTE 480i@60 576i@60 720p@50/60 1080p@50/60 |
| | | VESA | 800x600@60 1024x768@60 1280x768@60 1280x1024@60 1360x768@60 1400x1050@60 1440x900@60 1600x1200@60 1680x1050@60 1920x1080@60 1920x1200@60 2048x1152@60 2560x812@60 2560x816@60 |
| | Supported Standard | DVI | S-DVI |
| Extend Distance | | 300m (Multi Mode Fiber) | 2000m (Single Mode Fiber) |
| Power | Input Voltage | 5V DC | |
| Physical | Weight | 0.16kg | |
| | Dimension | 70mmx39mmx15mm | |

Application



Dimension



MSP 314-2 Transmitter

MSP 314-2 Receiver

Order Codes

| Product Code | Item |
|---------------|-----------|
| 611-0001-01-0 | MSP 314-2 |