

DXP H0108



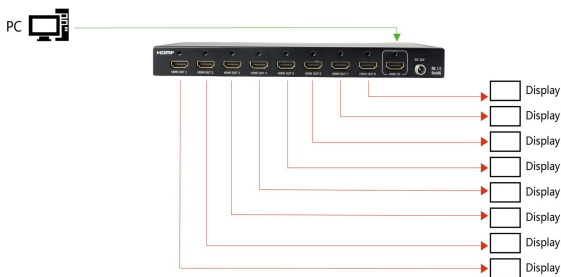
Key Features

- 1 HDMI in, 8 HDMI out
- HDMI 2.0, HDCP 2.2 compliant
- Output resolution up to 4096x2160@60
- Serializable to increase numbers of display

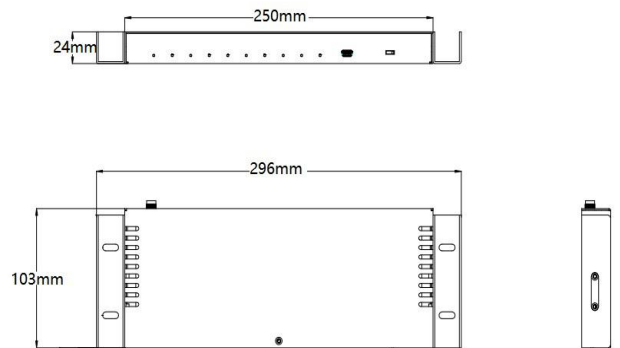
Specification

Connectors	Input	1xHDMI 2.0
	Output	8xHDMI 2.0
Performance	Input Resolutions	DVI/HDMI SMPTE 480i 576i 720p@50/59.94/60 1080i@50/59.94/60 1080p@50/59.94/60 2160p@60
		VESA 800x600@60 1024x768@60 1280x768@60 1280x1024@60 1366x768@60 1600x1200@60 1920x1080@60 2048x1152@60 2560x1600@60 3840x1080@60 3840x2160@60 4096x2160@60
	Output Resolutions	HDMI SMPTE 720p@50/60 1080p@50/60 2160p@60 1024x768@60 1280x768@60 1280x1024@60 1366x768@60 VESA 1600x1200@60 1920x1080@60 2048x1152@60 2560x1600@60 3840x1080@60 3840x2160@60 4096x2160@60
	Supported Standard	HDMI 2.0
Power	Input Voltage	DC 5V
Environment	Temperature	0°C~55°C
	Humidity	10%~95%
Physical	Weight	0.52kg
	Dimension	296mmx103mmx24mm

Application



Dimension



Order Codes

Product Code	Item
621-2104-01-0	DXP H0108



Tel: +86-592-5771197 | Fax: +86-592-5788216 | E-mail: sales@rgblink.com
 Headquarter: S601 Weiye Building, Torch Hi-Tech Development Zone, Xiamen, Fujian, P.R.C.



www.rgblink.com



Specifications are correct at time of printing and subject to change or alteration without notice.