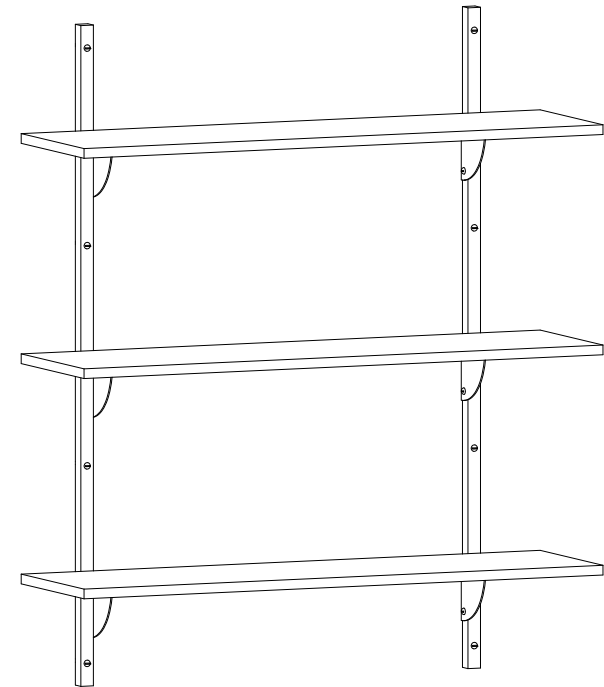


SECTOR SHELVES

ASSEMBLY MANUAL - SINGLE & TRIPLE

fermliving.com

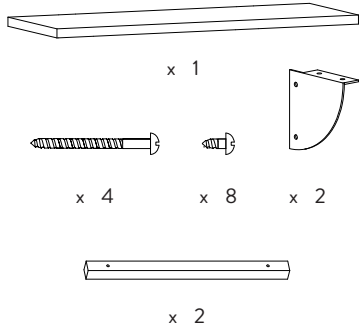


ferm
L I V I N G

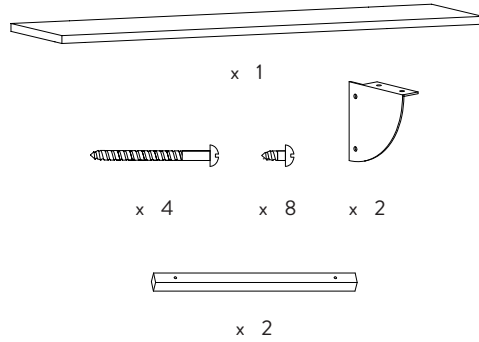
BOX CONTENTS

Please note:
Rawlplugs not
included

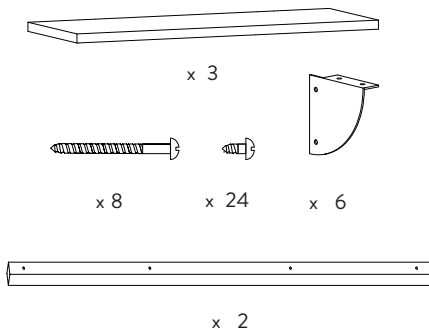
SECTOR SHELF SINGLE - NARROW



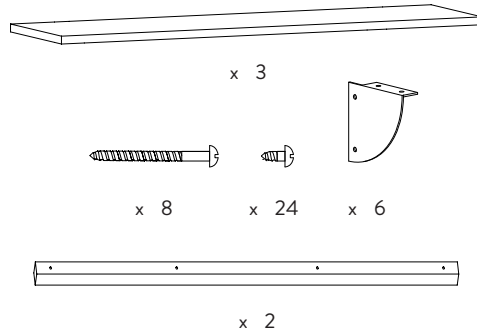
SECTOR SHELF SINGLE - WIDE



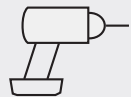
SECTOR SHELF TRIPLE - NARROW



SECTOR SHELF TRIPLE - WIDE



ADDITIONAL TOOLS NEEDED TO ASSEMBLE THE SHELF



Screwdriver / drill



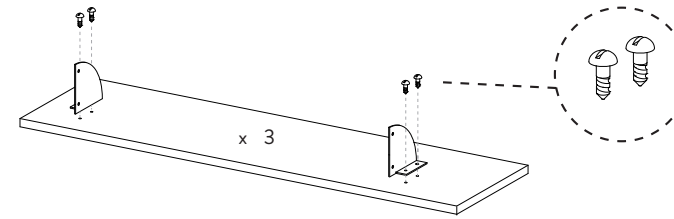
Spirit level



Pencil

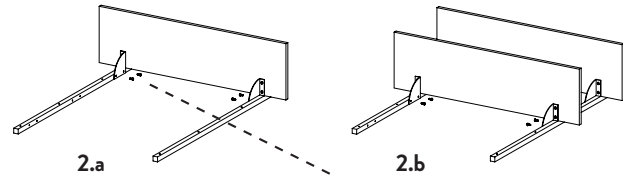
ASSEMBLY PROCESS

The illustration shows triple shelves - but can be followed to assemble single shelves as well.



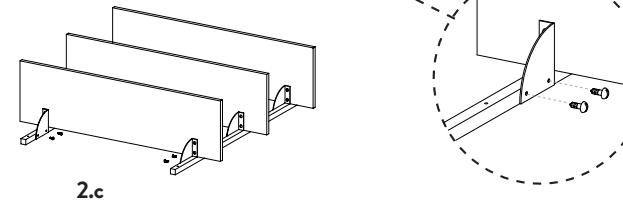
1

Start by mounting the brackets to each shelf. Two brackets per shelf and two short screws for each bracket.



2

Place the two profiles on a stable surface, like the floor or a solid table. The sides with the large holes should turn upwards.



Start by attaching the upper shelf to the profiles and end with the lowest shelf. Use the same short screws as before. Two screws for each bracket.

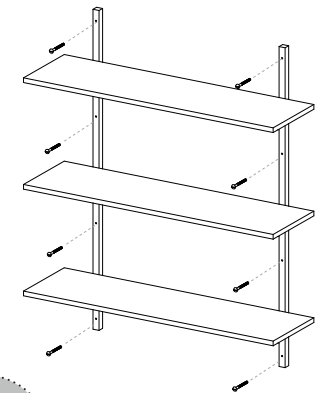
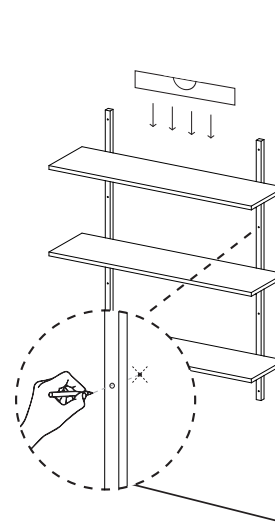
SINGLE SHELF: Attach shelf and continue to step 3.



PLEASE NOTE:
STEP 3 + 4 OF THE
MOUNTING PROCESS
REQUIRES 2 X PEOPLE

3

Find a position for the shelf and hold it against the wall. Make sure that it is level. Stick a pointy pencil/needle through the holes to mark the drill holes on the wall.



4

Remove the shelf from the wall. Drill the holes and insert rawlplugs. Then attach the shelf to the wall using the long screws.