

Pond Table Collection





Pond Table Collection

Bring an element of calm to your indoor or outdoor space with the Pond Dining Table or the Pond Café Table. Featuring an organically-shaped tabletop that forms an irregular, imperfect circle, the tables are completed by a single, discreet column at the base. Made entirely from durable, powder-coated galvanized steel and with adjustable feet that allow you to align the base plate on uneven surfaces, the tables are well-suited for small living, and are ideal for use on a balcony, terrace or in the kitchen. The tables arrive flat-packed.

PRODUCT DETAILS

Product type:	Tables for indoor and outdoor use
Material:	Powder coated galvanized structural steel
Origin:	Turkey
Care instructions:	Wipe with a damp cloth
Info:	Adjustable feet. Suitable for outdoor use. Registered design

POND CAFÉ TABLE



POND DINING TABLE





1104267559
Black



1104267561
Black

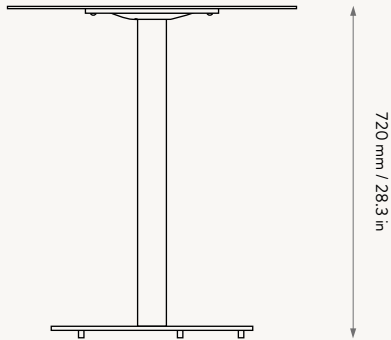
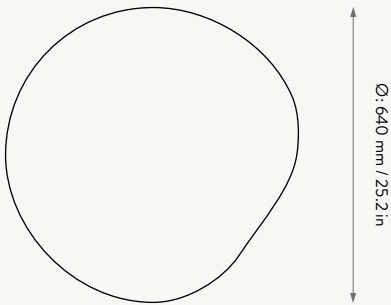


POND CAFÉ TABLE

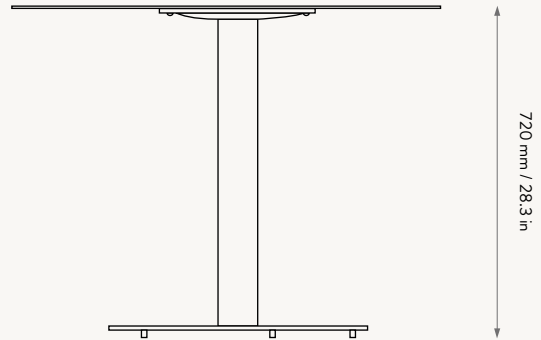
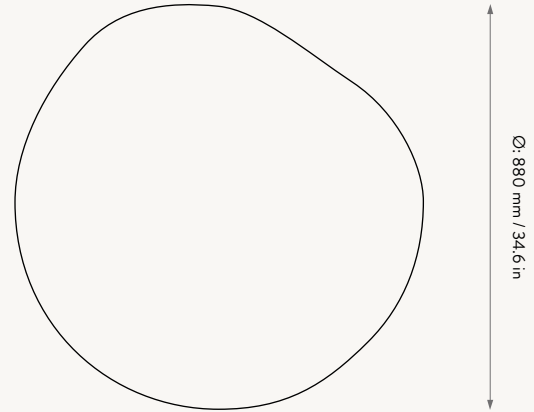
Size: Ø: 64 x H: 72 cm
Ø: 25.2 x H: 28.3 in
Material: Powder coated galvanized structural steel
Care: Wipe with a damp cloth
Info: With adjustable feet. Suitable for outdoor use.
Registered design
Country: Turkey
Net. weight: 22.4 kg
Packsizes: 1

POND DINING TABLE

Size: Ø: 88 x H: 72 cm
Ø: 34.6 x H: 28.3 in
Material: Powder coated galvanized structural steel
Care: Wipe with a damp cloth
Info: With adjustable feet. Suitable for outdoor use.
Registered design
Country: Turkey
Net. weight: 41.0 kg
Packsizes: 1



Ø: 640 mm / 25.2 in



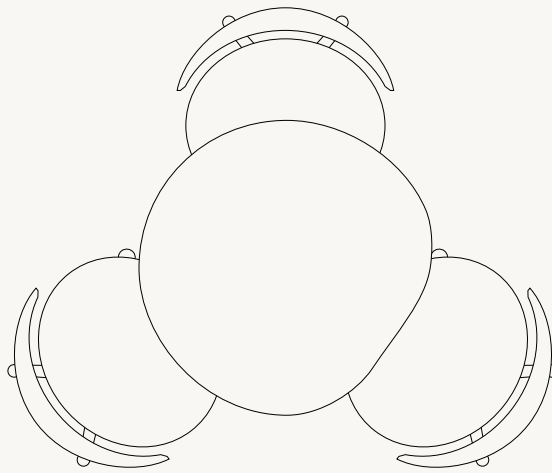
Ø: 880 mm / 34.6 in

Pond tables

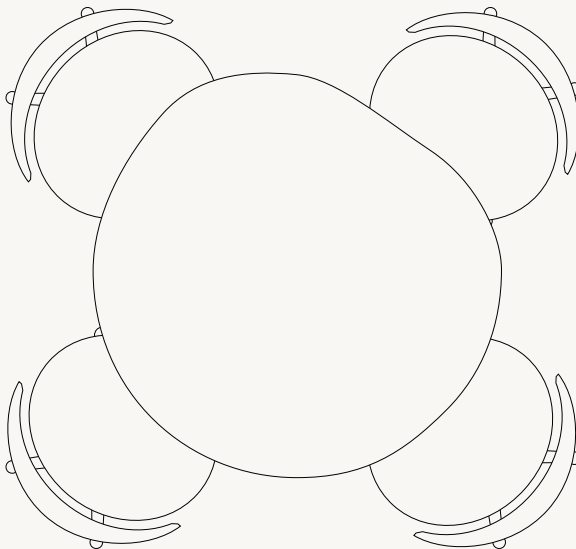
Seating overview

Based upon Herman Chair and 60 cm seating space per person

POND CAFÉ TABLE



POND DINING TABLE



Space to feel comfortably you