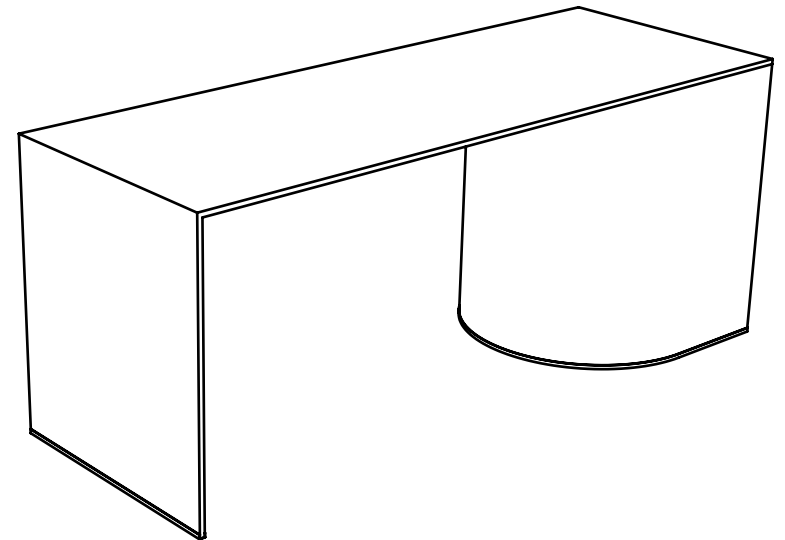


You can choose to add or not the rubber feet. The profiles are only here if you want to protect your floor.

PLACE BENCH

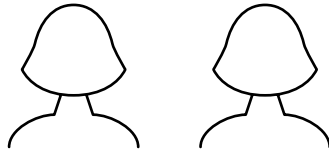
ASSEMBLY MANUAL

fermliving.com



ferm
L I V I N G

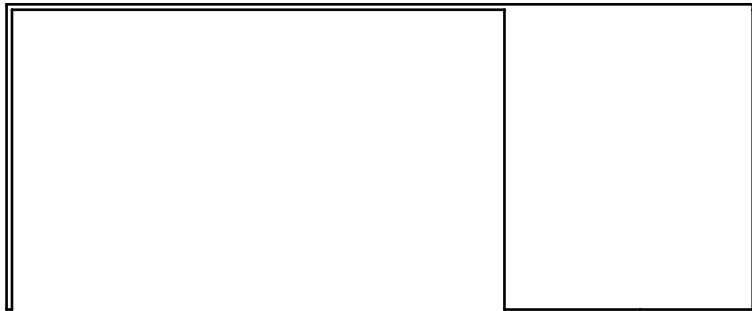
Needed for assembling



2 x Persons

Content

1 x Place bench

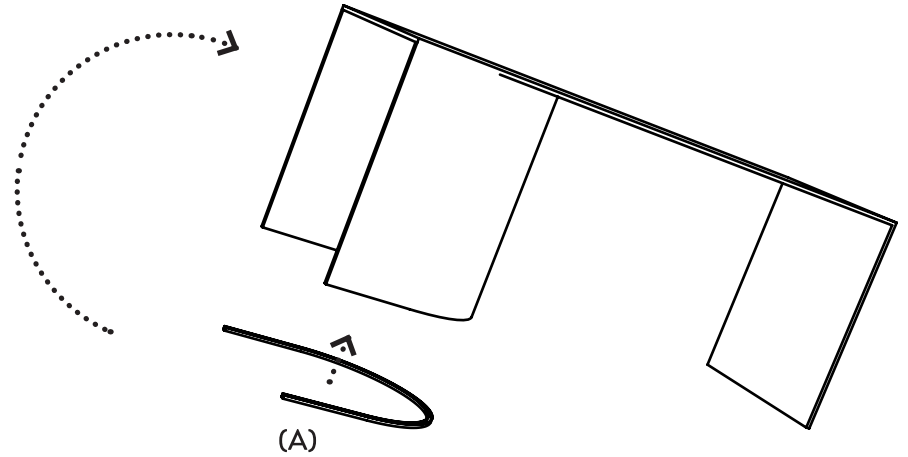


1 x Long rubber profile (A)



1 x Short rubber profile (B)

1_Tilt the bench on the side and slide the long profile (A) on the curved foot.



2_Tilt the bench on the other side and slide the short profile (B) on the straight foot.

