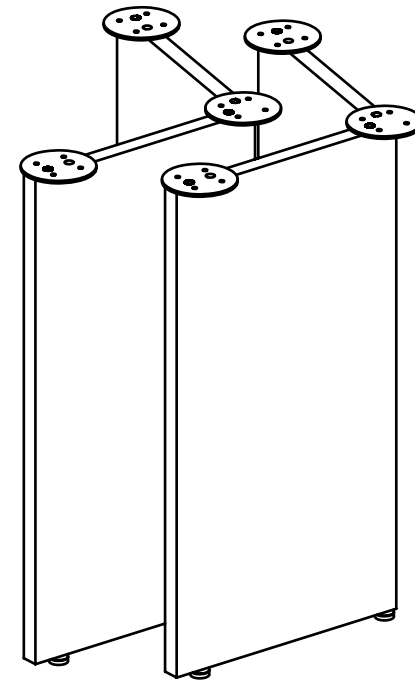


# MINGLE WOODEN TABLE LEGS

---

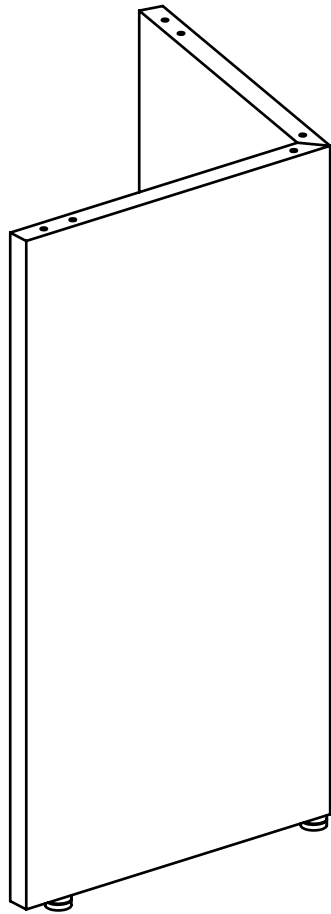
ASSEMBLY MANUAL - W48

[fermliving.com](http://fermliving.com)



ferm  
L I V I N G

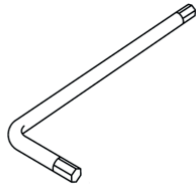
## CONTENT OF THE BOX



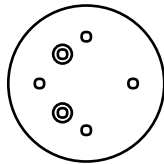
2 x Wooden Legs



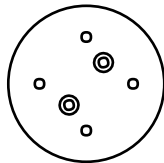
12 x Screws



1 x Hex key

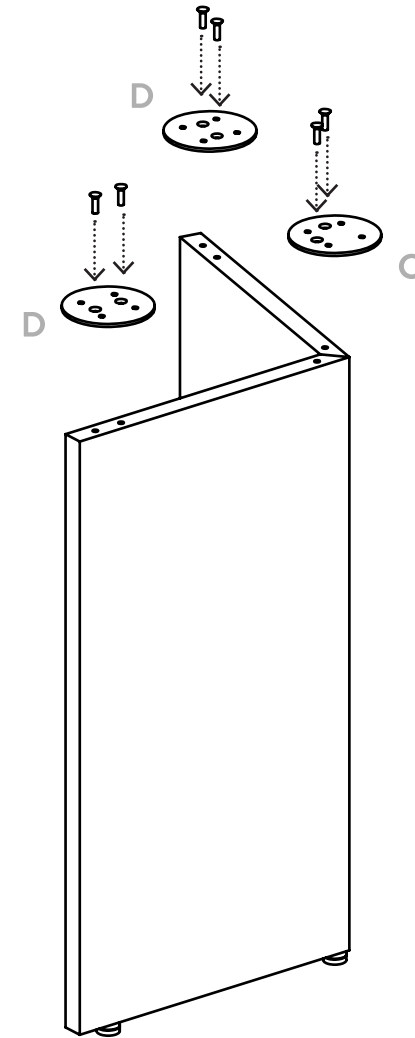


2 x Metal disc (C)



4 x Metal disc (D)

## ASSEMBLY PROCESS



Screw metal disc (D) to the wooden legs' extremities and metal disc (C) to the center. Use the hex key.