

HERMAN CAFÉ TABLE & HERMAN SIDE TABLE

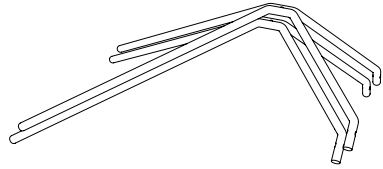
ASSEMBLY MANUAL

fermliving.com



ferm
L I V I N G

NEEDED FOR ASSEMBLING



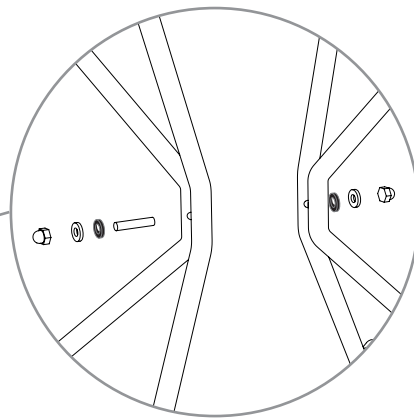
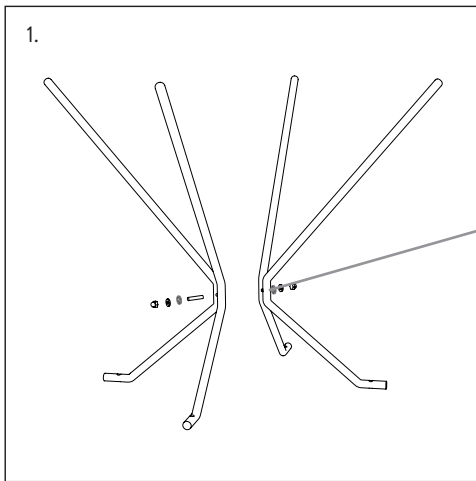
2 x Bases



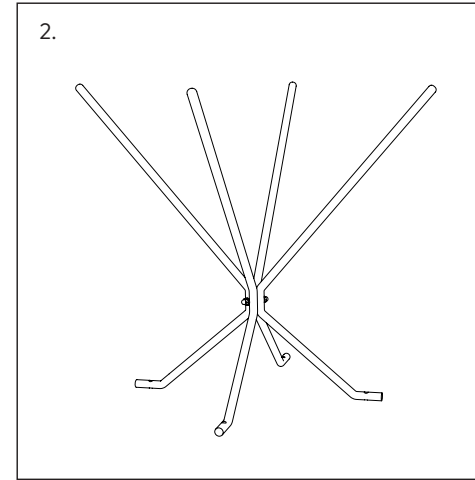
- 2 x Brass bolts
- 2 x Brass washers
- 2 x Rubber rings
- 2 x Threaded rods
- 4 x Allen screws



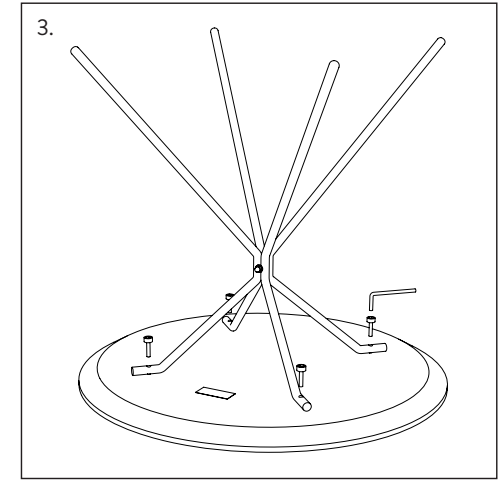
- 1 x Allen key
- 1 x Spanner



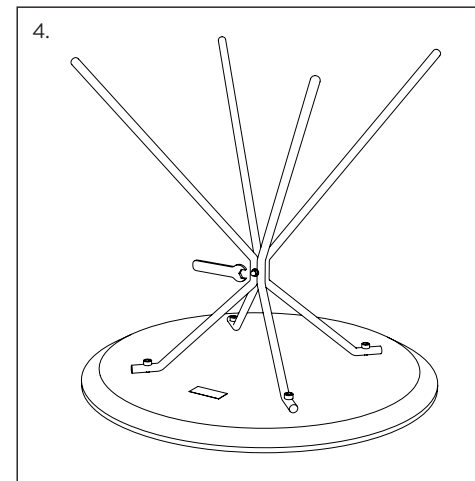
1. Assemble the two base components with the threaded rod and the brass bolts. Put in the brass washers and rubber rings between the brass bolt and base.



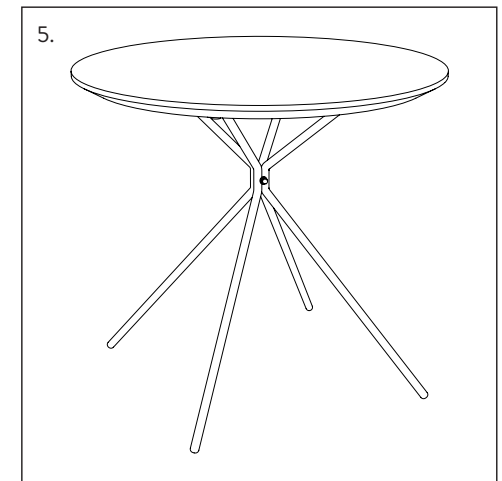
2. Hand tighten the brass bolts.



3. The base is mounted on the table top with the Allen screws and allen key. Do not overtighten.



4. Tighten the brass bolts with the spanner.



5. Herman Table is now ready for use.

Daily care:

Clean the table top with a damp cloth.