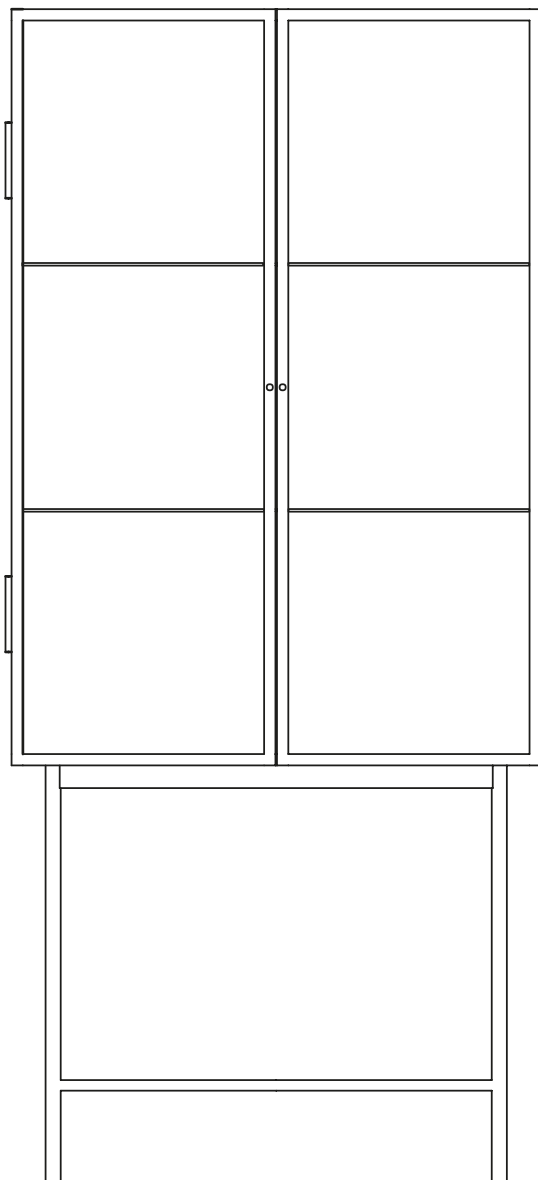


# HAZE VITRINE

---

ASSEMBLY MANUAL



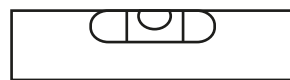
## Needed for assembling



Min. two persons

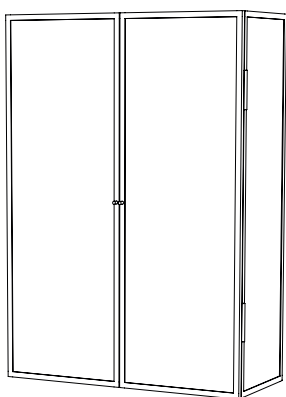


Screw driver

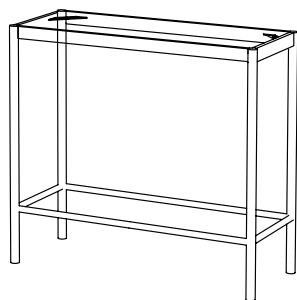


Spirit level

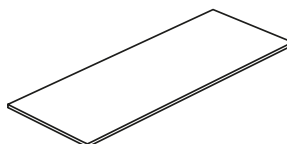
## Content of the box



Cabinet x 1



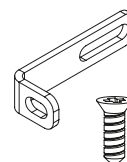
Bottom part x 1



Shelf x 2

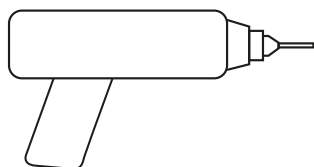


Screw x 4

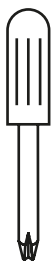


Wall safety set x 2

## Needed for wall attachment



Power drill

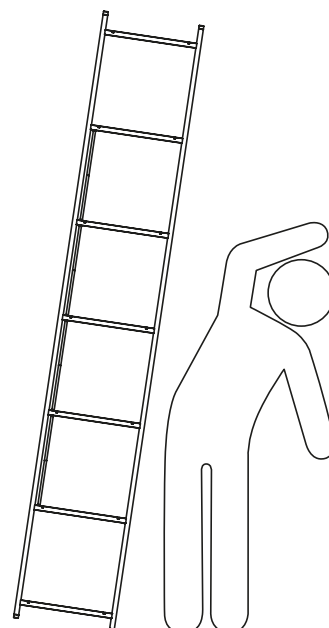


Screw driver



Pencil

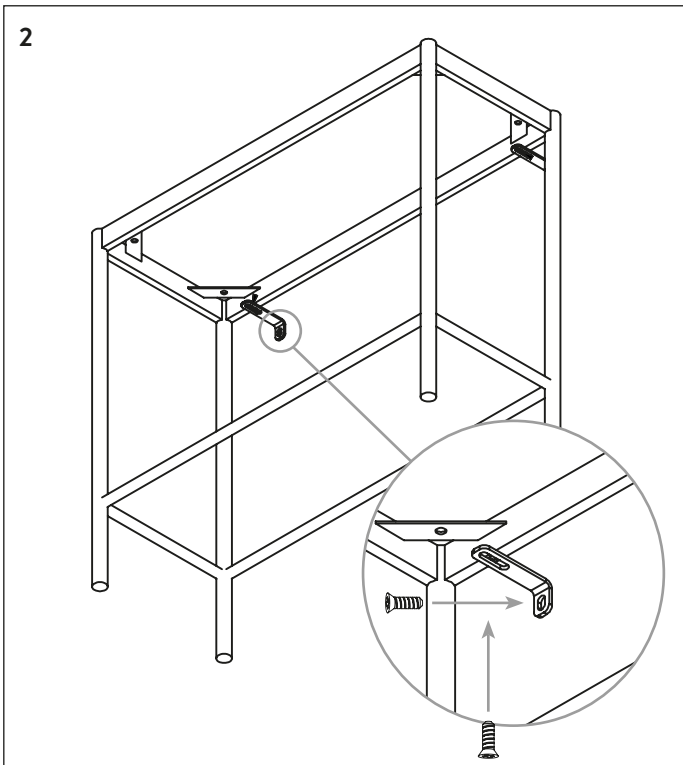
### Warning



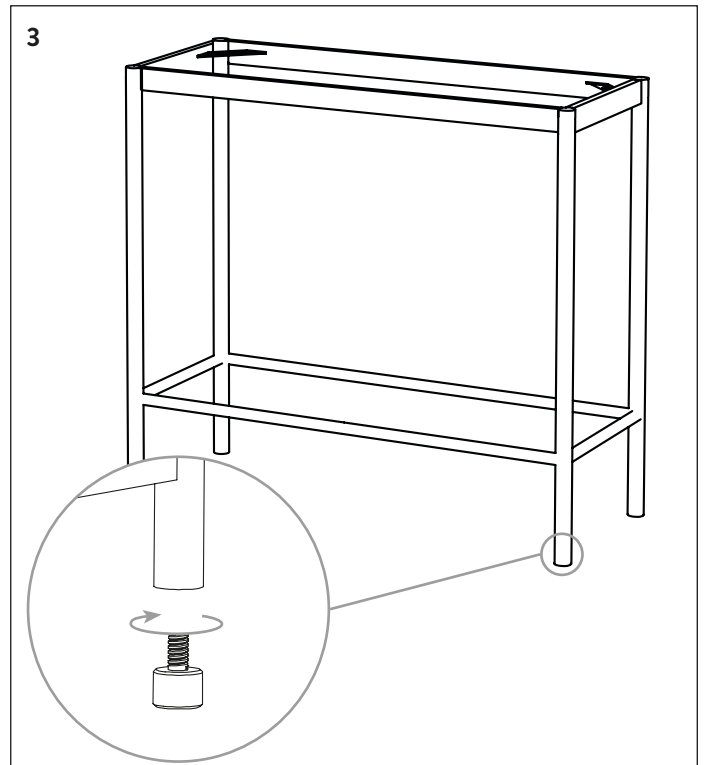
Screws and rawl plugs for the wall is not included, since different walls requires different tools and parts. Please contact your local hardware store for proper advise. Free standing placement is not re-commended and on own responsibility.



1. Please mount the top cabinet on the bottom part with the screws included.  
We recommend to place the cabinet against the wall with the included wall safety.



2. Mount the wall safety on the cabinet and place it against the wall. Screw the wall safety into the cabinet. Do not tighten the screws yet.



3. Remember to level the cabinet at the same time with the adjustable feet to avoid the cabinet from getting warped.
4. Screw the wall safety into the wall. Finally tighten the screws into the cabinet.

FERMLIVING.COM