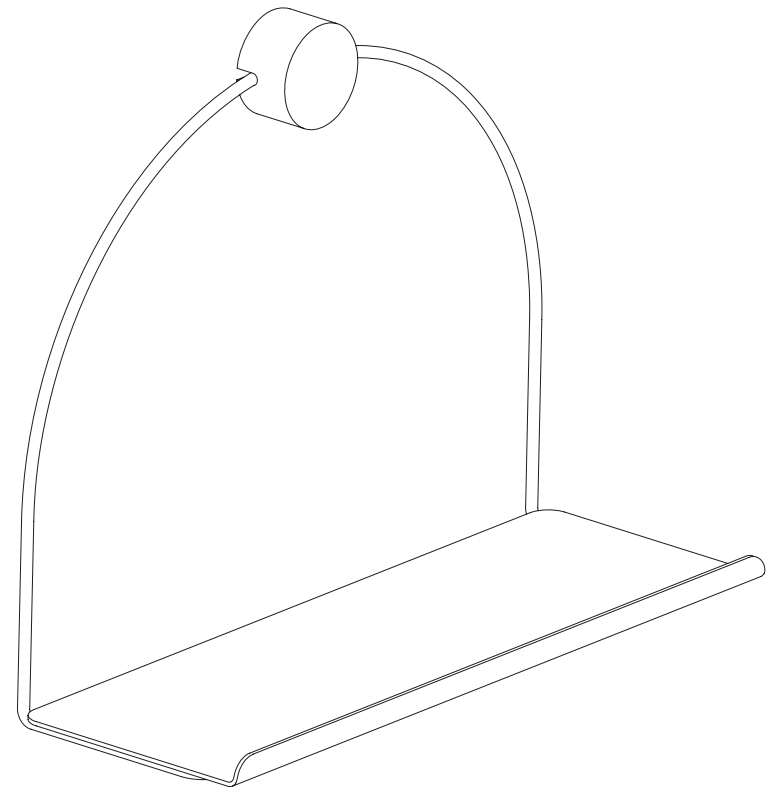


BATHROOM SHELF

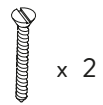
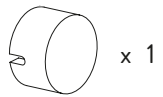
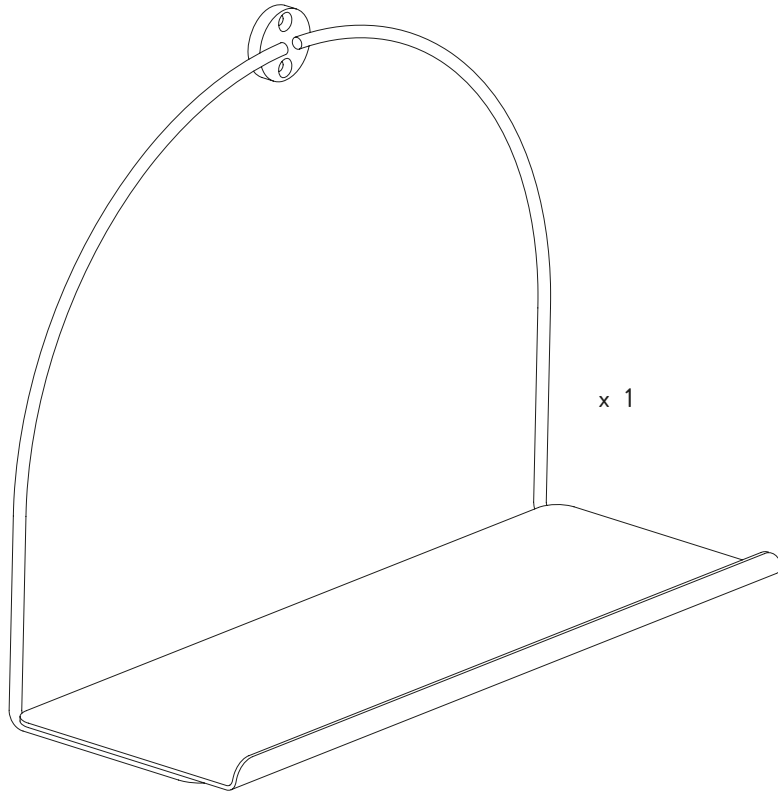
ASSEMBLY MANUAL

fermliving.com



ferm
LIVING

CONTENT OF THE BOX



ASSEMBLY PROCESS

