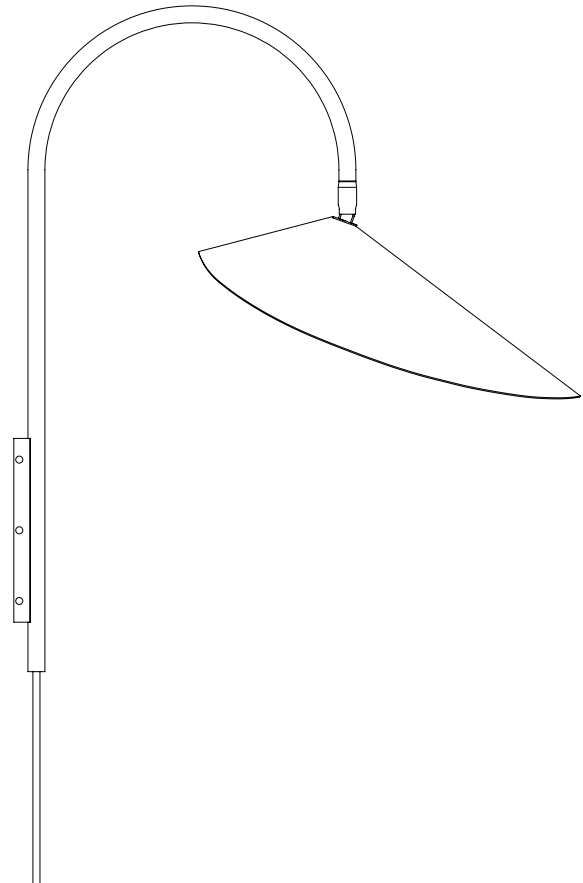


# ARUM WALL LAMP - UK - BLACK

---

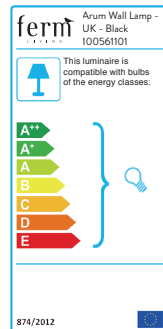
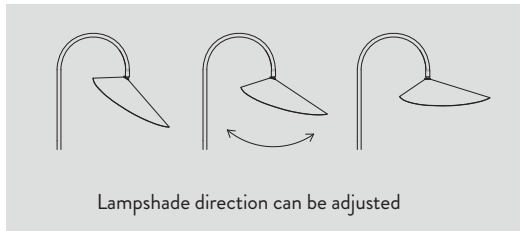
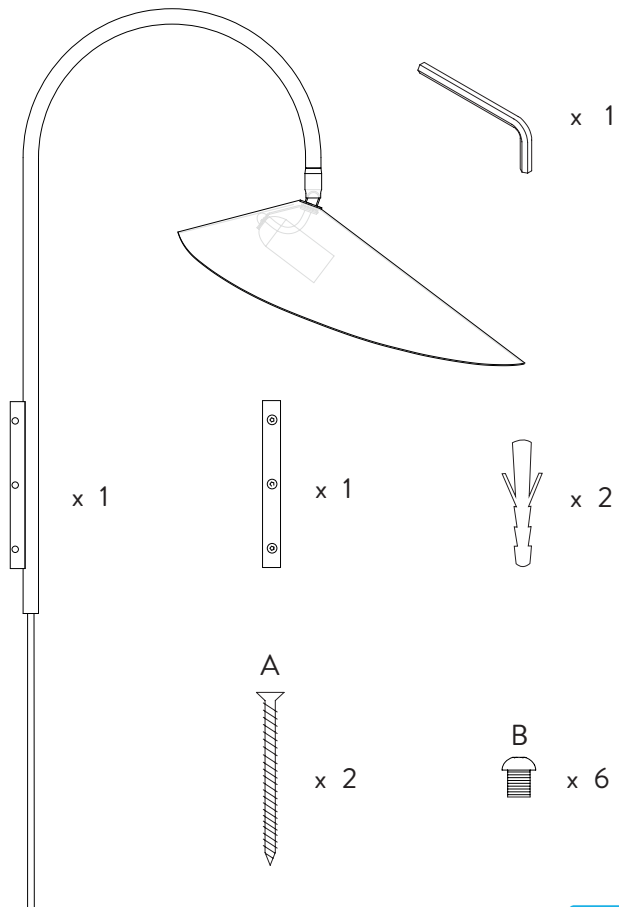
ASSEMBLY MANUAL - 100561-101

[fermliving.com](http://fermliving.com)

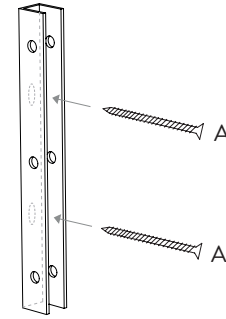


**ferm**  
L I V I N G

## CONTENT OF THE BOX



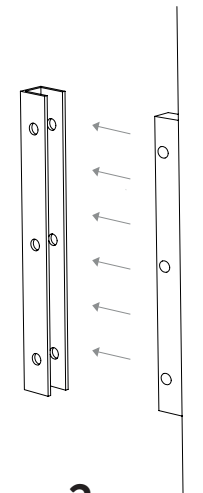
## ASSEMBLY PROCESS



**1**

### MOUNT BASE TO WALL

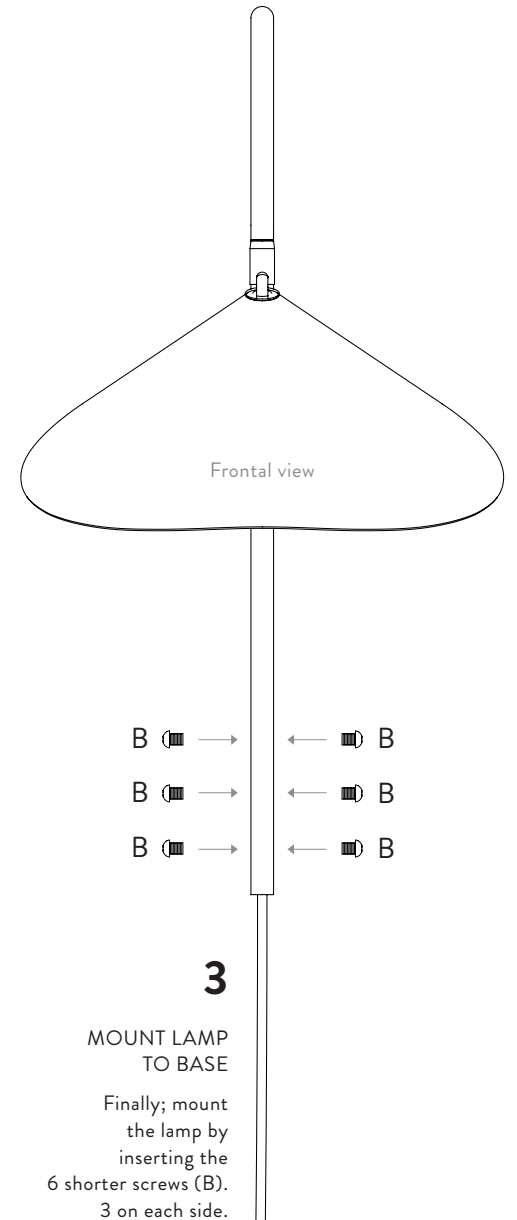
Choose the preferred position on the wall and start by drilling 2 holes and inserting the 2 rawplugs. Mount the base to the wall by using the 2 longer screws (A)



**2**

### INSERT LAMP ON BASE

Slide the box on the backside of the cylinder into the base



**3**

### MOUNT LAMP TO BASE

Finally; mount the lamp by inserting the 6 shorter screws (B). 3 on each side.