

LED AR111 G53 10.0W-70W D 2700K 40D 675lm

- G53 Socket
- 12 AC/DCV
- 50.000 hours Lifetime
- Dimmable
- 86% Energy Saving
- Luminous Flux: 675 lm
- Equivalent to 70W incandescent bulb

Product Number 52345

General Data

Lamp Socket G53

Design AR111

Electric Data

Wattage (W) 10.0

Wattage Equivalent (W) 70

Voltage (V) 12V AC/DC

Dimmable yes

Power Factor 0.90

Operating Frequency (Hz) 50/60

Geometric Data

Length (mm) 58

Diameter (mm) 111

Weight (g) 90

Photometric Data

Luminous Flux (lm) 675

CRI 90

CCT (K) 2700

Luminous Intensity (cd) 1500

Beam Angle (°) 40

Luminous Efficacy (lm/W) 69

Lifetime (hrs) 50.000

Switching Cycle 100.000

Operating Temperature -20°C to 40°C

**Distributed by:**

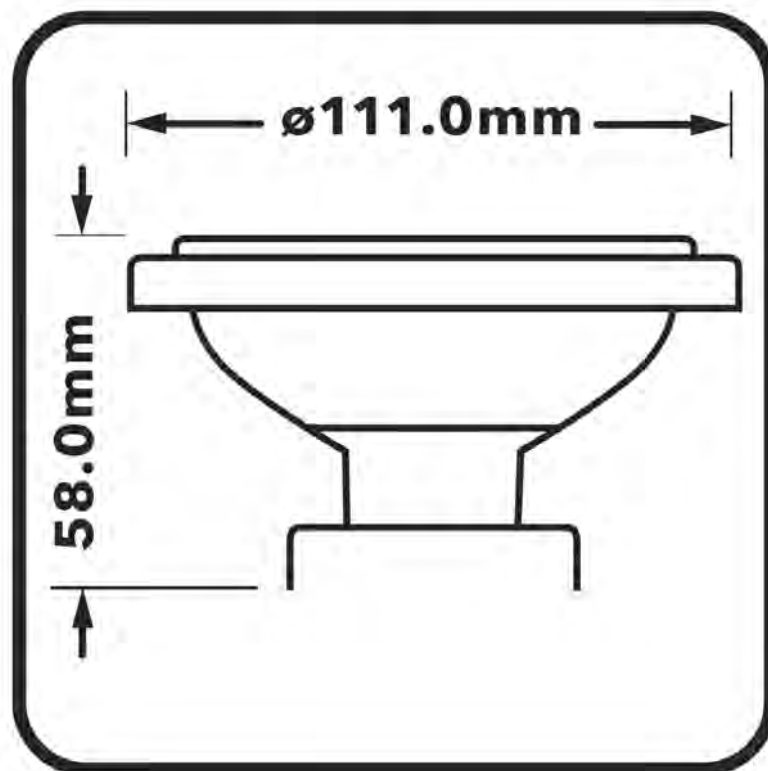
Reduction Revolution Pty Ltd

www.reductionrevolution.com.au

Lifestyle image

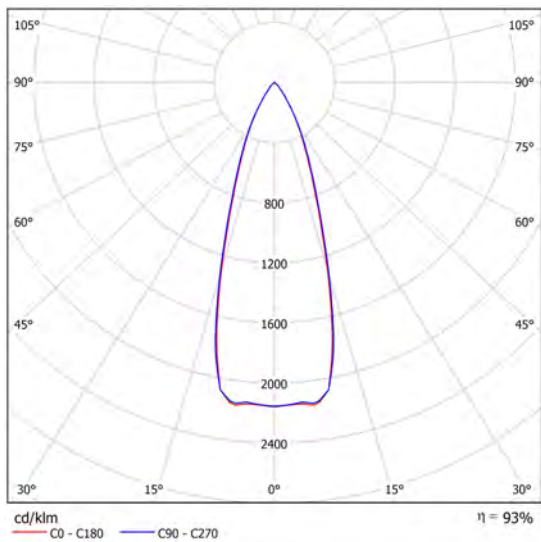
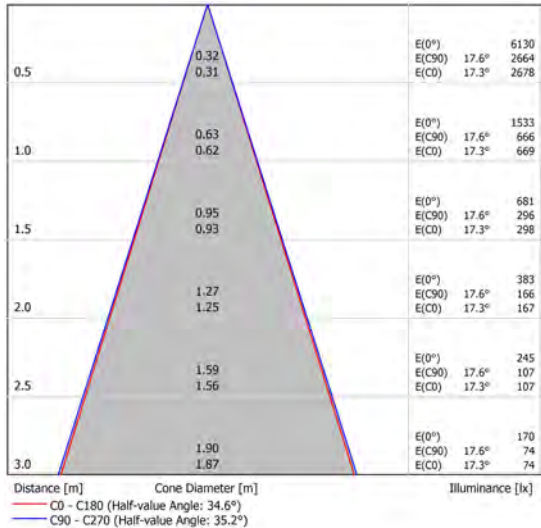


Technical Drawings



Distributed by:
Reduction Revolution Pty Ltd
www.reductionrevolution.com.au

Photometric Diagrams



Energy Rating



Technical Packaging Details

Barcode

0023942523451

EAN 128

(02)00023942523451(37)12(91)814

EAN 14

50023942523456

Pack Dimensions(HxWxL)

68 x 125 x 125mm (mm)

Pack Weight

150g (g)

MOQ

1

Carton Dimensions (HxWxL)

225 x 275 x 270mm (mm)

Cartons/Pallet

32

Layers/Pallet

4

Units/Pallet

384

Distributed by:

Reduction Revolution Pty Ltd

www.reductionrevolution.com.au