

BRP130/I31/I32

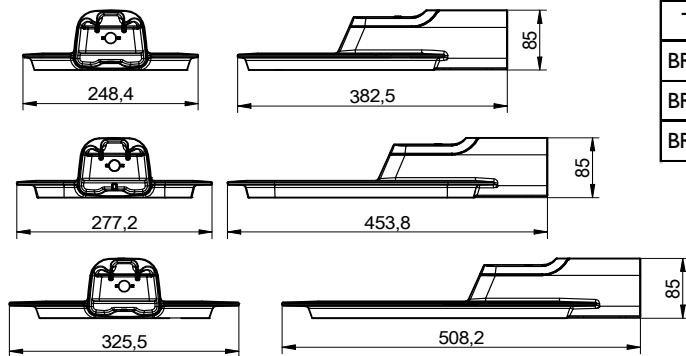
Mounting Instruction

Distributed by:
Reduction Revolution Pty Ltd
www.reductionrevolution.com.au/LED

	IEC 60598	IP66	IK08		Class I	RoHS	 Max. +50°C Min. -40°C	CRI >70	220-240V~ 50/60Hz	$t_a 35^\circ\text{C}$
--	---------------------	-------------	-------------	--	----------------	-------------	------------------------------	-------------------	-----------------------------	------------------------

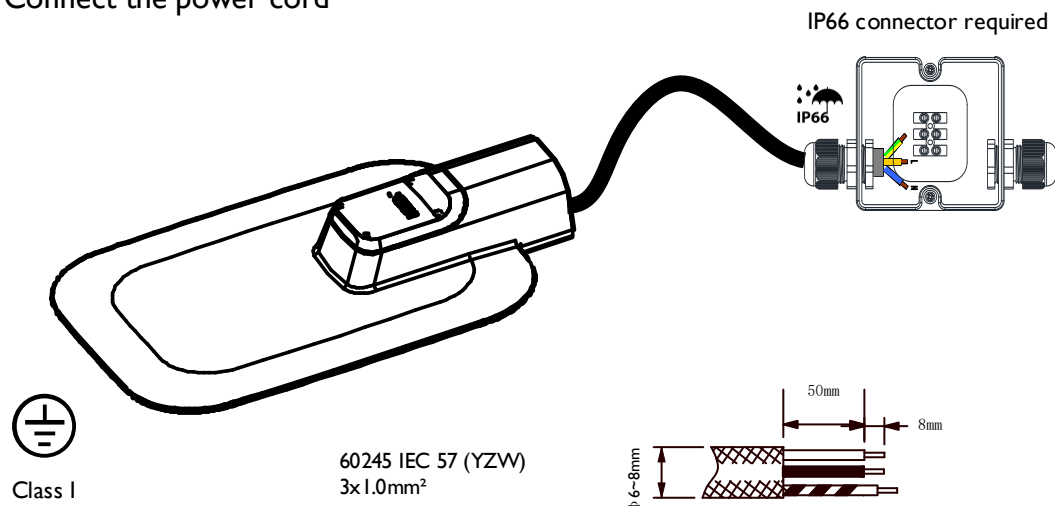
Type	LEDs	Power/W	CCT/K	*Light Source Energy Efficiency Class	Maximum Number of Luminaire on MCB 16A Type B	Inrush Current	Voltage
BRP130 LED88/WW 70W 220-240V DM GM	82	70	3000	D	50	15A/1.5μs	220-240~ 50/60Hz
BRP130 LED88/NW 70W 220-240V DM GM	82	70	4000				
BRP130 LED88/CW 70W 220-240V DM GM	82	70	5700				
BRP131 LED125/WW 100W 220-240V DM GM	112	100	3000	D	35	15A/1.5μs	
BRP131 LED125/NW 100W 220-240V DM GM	112	100	4000				
BRP131 LED125/CW 100W 220-240V DM GM	112	100	5700				
BRP132 LED175/WW 140W 220-240V DM GM	154	140	3000	D	25	15A/1.5μs	
BRP132 LED175/NW 140W 220-240V DM GM	154	140	4000				
BRP132 LED175/CW 140W 220-240V DM GM	154	140	5700				

*This product contains a light source of energy efficiency class: see table



Type	Weight(kg)	L×W×H(mm)	Wind force area(m ²)
BRP130	2.6	382.5×248.4×85	0.08
BRP131	3.2	453.8×277.2×85	0.11
BRP132	4	508.2×325.5×85	0.14

I Connect the power cord

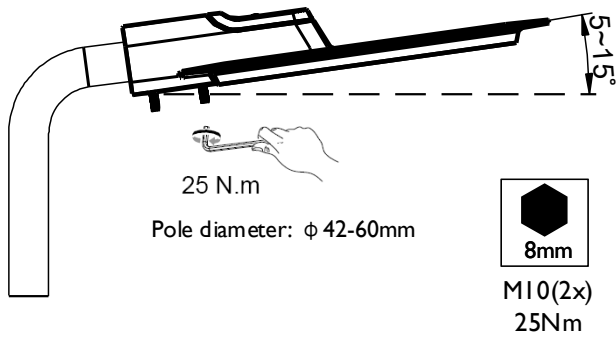


Signify (China) Investment Co., Ltd.
Building No. 9, Lane 888 Tianlin Road,
Minhang District, Shanghai, China
Postalcode: 200233

PHILIPS

Philips and the shield emblem are registered trademarks of Koninklijke Philips N.V.

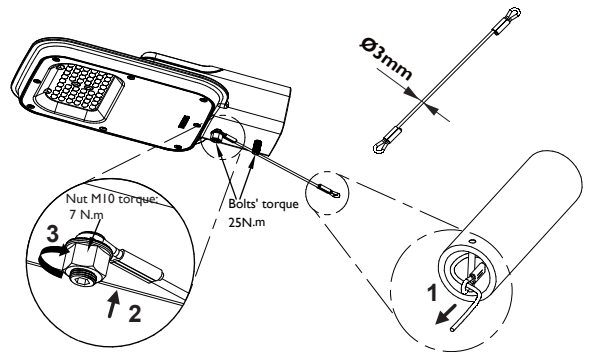
2 Pole mounting



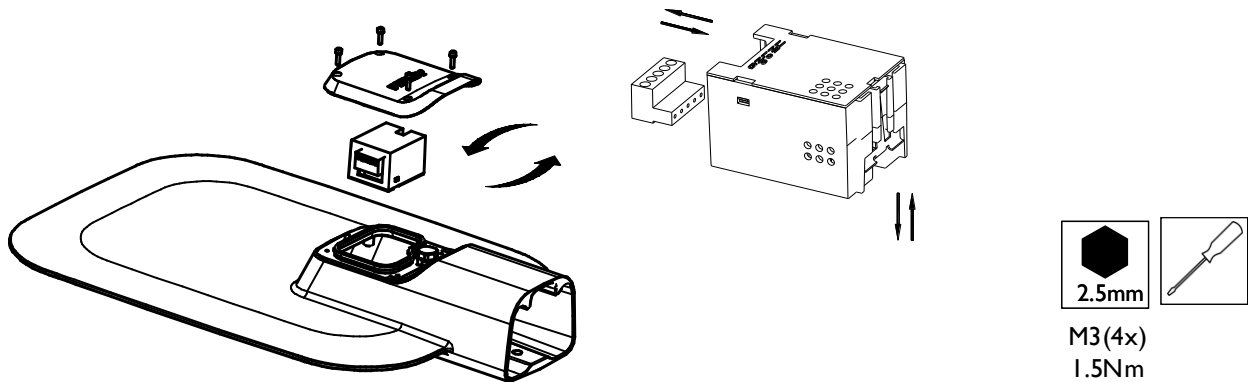
3 Anti-drop stainless steel rope and locknut for luminaire



Signify do not provide the anti-drop stainless steel rope and locknut



4 Surge protection device (SPD) replacement



Warning

1. The luminaire shall be installed by a qualified electrician and wired in accordance with the latest IEEE electrical regulations or the national requirements.
2. Turn power off before inspection, installation or removal.
3. If the external flexible cable or cord of this luminaire is damaged, it shall be exclusively replaced by the manufacturer or his service agent or a similar qualified person in order to avoid a hazard.
4. Use IP66 rated environmentally sealed power connector with a cable clamp to ensure IP66 ingress protection
5. Ensure power supply cables (L-N / L-N-E) are connected correctly before switching on.
6. The light source contained in this luminaire shall only be replaced by the manufacturer or his service agent or a similar qualified person.

Maintenance

1. Ensure power supply is switched off before attempting any maintenance work.
2. Periodic cleaning of the luminaire optical lens cover will ensure maximum optical efficiency.
3. Luminaire optical lens cover shall be cleaned with clean water and non-abrasive soap, cleaner or detergent solution.

Caution

The Luminaire must be used within the applicable product specifications, installation instructions and environmental conditions for storage & operations according to application guidelines provided by Signify for product Warranty to be valid.

Warning

1. The luminaire shall be installed by a qualified electrician and wired in accordance with the latest IEEE electrical regulations or the national requirements.
2. Turn power off before inspection, installation or removal.
3. Refer to technical datasheet for additional electrical properties to ensure safe installation.
4. Luminaire installed must not be in contact with combustible materials.
5. Ensure power supply cables (L-N / L-N-E) are connected correctly before switching on.
6. The luminaire should be positioned so that prolonged staring into the luminaire at a distance closer than 3 m is not expected
7. Do not stare at the operating light source.
8. The light source and/or control gear and/or the external flexible cable contained in this luminaire shall only be replaced by the manufacturer or his service agent or a similar qualified person.

**Maintenance**

1. Ensure power supply is switched off before attempting any maintenance work.
2. Periodic cleaning of the luminaire optical lens cover will ensure maximum optical efficiency.
3. Luminaire optical lens cover shall be cleaned with clean water and non-abrasive soap, cleaner or detergent solution.

Caution

The Luminaire must be used within the applicable product specifications, installation instructions and environmental conditions for storage & operations according to application guidelines provided by Signify for product Warranty to be valid.