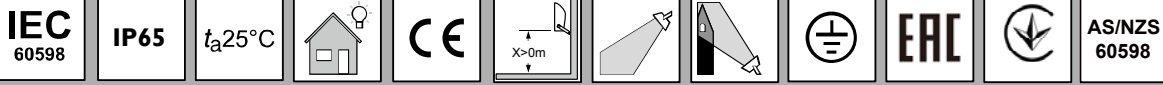


LED Floodlight

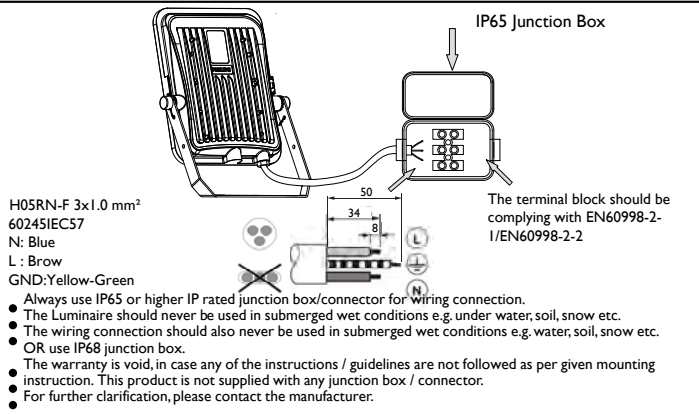
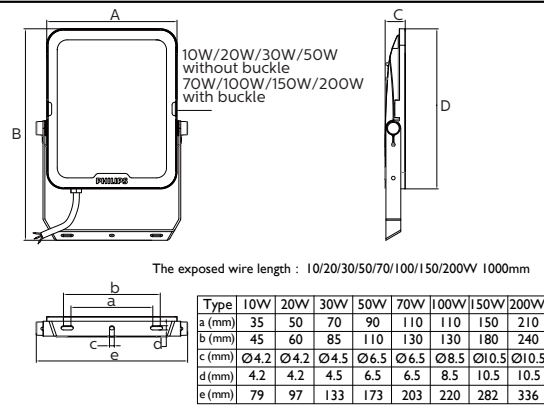
BVPI51

Mounting Instructions

Distributed by:
Reduction Revolution Pty Ltd
www.reductionrevolution.com.au/LED



Type	CCT (K)	Power(W)	LEDs	Lumen Output (lm)	Dimension AxBxCxD (mm)	S.C.x Eng. Projected Area (m ²)	kg	Voltage	Frequency	Surge
BVPI51 LED12/WW PSU 10W SWB G2 GM	3000	10	36	1100	63.8x111x25.5x82.8	0.005	0.24	220-240V~	50/60Hz	2KV/2KV
BVPI51 LED12/NW PSU 10W SWB G2 GM	4000			1200						
BVPI51 LED12/CW PSU 10W SWB G2 GM	6500			2200						
BVPI51 LED24/WW PSU 20W SWB G2 GM	3000	20	60	2400	82x130x25.5x100	0.008	0.31			
BVPI51 LED24/NW PSU 20W SWB G2 GM	4000			3300						
BVPI51 LED24/CW PSU 20W SWB G2 GM	6500			3600						
BVPI51 LED36/WW PSU 30W SWB G2 GM	3000	30	90	3600	117x182x25.5x145	0.017	0.54			
BVPI51 LED36/NW PSU 30W SWB G2 GM	4000			5500						
BVPI51 LED36/CW PSU 30W SWB G2 GM	6500			6000						
BVPI51 LED60/WW PSU 50W SWB G2 GM	3000	50	120	6000	150x232x26.1x185	0.028	0.81			
BVPI51 LED60/NW PSU 50W SWB G2 GM	4000			7700						
BVPI51 LED60/CW PSU 50W SWB G2 GM	6500			8400						
BVPI51 LED84/WW PSU 70W SWB G2 GM	3000	70	170	8400	175x284x27x215	0.038	0.99			
BVPI51 LED84/NW PSU 70W SWB G2 GM	4000			11000						
BVPI51 LED84/CW PSU 70W SWB G2 GM	6500			12000						
BVPI51 LED120/WW PSU 100W SWB G2 GM	3000	100	216	12000	185x312x32.5x244	0.045	1.45			
BVPI51 LED120/NW PSU 100W SWB G2 GM	4000			16500						
BVPI51 LED120/CW PSU 100W SWB G2 GM	6500			18000						
BVPI51 LED180/WW PSU 150W SWB G2 GM	3000	150	320	18000	242x409x32.5x320	0.077	2.41			
BVPI51 LED180/NW PSU 150W SWB G2 GM	4000			22000						
BVPI51 LED180/CW PSU 150W SWB G2 GM	6500			24000						
BVPI51 LED240/WW PSU 200W SWB G2 GM	3000	200	440	22000	296x482x35.7x380	0.112	3.58			
BVPI51 LED240/NW PSU 200W SWB G2 GM	4000			24000						
BVPI51 LED240/CW PSU 200W SWB G2 GM	6500									4KV/4KV



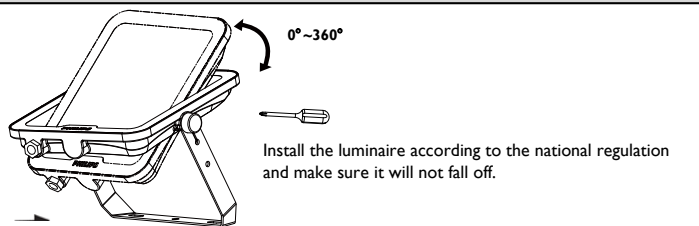
Type	Run Current (A) (@230V)	Start (Inrush) Current(A) / Ipeak (A)	Start Current Duration (µs) / T(@50% of Ipeak) (µs)	* Touch current or protective conductor current (mA)	Maximum Number of Luminaire on MCB 16A Type B (pcs)	Maximum Number of Luminaire on MCB 16A Type C (pcs)
BVPI51 10W	0.044	0.78	6.48	< 3.5	218	254
BVPI51 20W	0.088	1.1	7.4	< 3.5	109	127
BVPI51 30W	0.13	1.22	7.2	< 3.5	73	85
BVPI51 50W	0.22	1.68	8.2	< 3.5	44	51
BVPI51 70W	0.305	3.64	22.2	< 3.5	31	36
BVPI51 100W	0.44	3.84	24.4	< 3.5	22	25
BVPI51 150W	0.66	4.16	26.4	< 3.5	15	17
BVPI51 200W	0.88	4.38	28.4	< 3.5	11	13

The leakage current *(touch current or protective conductor current) of electrical circuit may be greatly dependent upon electrical supply cables used such as its rating and length, proper connection of electrical supply cables to luminaires and wiring connection topology of luminaires to the supply electrical circuit amongst other site conditions.
* In some cases referred to as Earth Leakage Current.

Fasten the bolt

Torque : Nm

	10W	20W	30W	50W	70W	100W	150W	200W
Torque(Nm)	3	3	3	8	8	15	25	25



LED Floodlight

BVPI5I

Mounting Instructions

EN

Please read this manual carefully before using the product.

1. Do not switch on before complete installation.
2. The luminaire shall be installed by a qualified electrician and wired in accordance with the latest IEE electrical regulations or the national requirements.
3. The external flexible cable or cord of this luminaire cannot be replaced; if the cord is damaged, the luminaire shall be destroyed.
4. The light source of this luminaire is not replaceable; when the light source reaches its end of life the whole luminaire shall be replaced.
5. The luminaire is complied with IEC 60598.
6. Luminaire must not be used or stored in corrosive environment where hazardous materials such as Sulphur, Chlorine, phthalates, etc, are present.

PHILIPS

Philips and the Philips shield emblem are registered trademarks of Koninklijke Philips N.V.

Distributed by:
Reduction Revolution Pty Ltd
www.reductionrevolution.com.au/LED