



IEC
60598

AS/NZ
60598

IP66

IK08

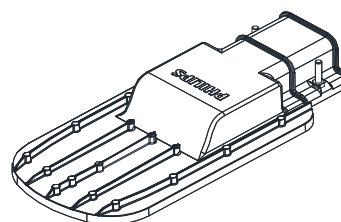
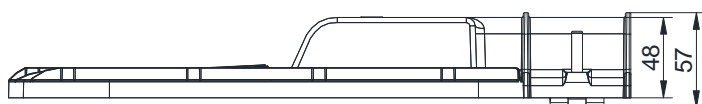
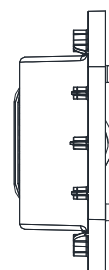
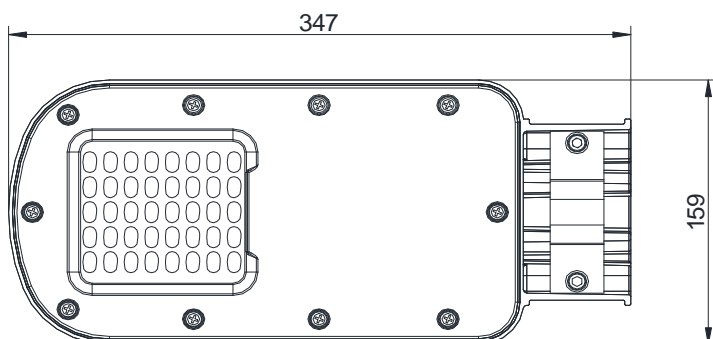
$t_a 35^\circ\text{C}$



RoHS

Product Description	LEDs	Power(W)	Factory Description	Size & Weight	V/Hz
BRP210 30LED470	30	18	BRP210 LED21/CW/NW/WW 18W 220-240V DW3 MP1	347X159X57mm 1.1 Kg	220-240V 50Hz/60Hz
BRP210 35LED500	35	22	BRP210 LED26/CW/NW/WW 22W 220-240V DW3 MP1		
BRP210 40LED530	40	27	BRP210 LED31/CW/NW/WW 27W 220-240V DW3 MP1		

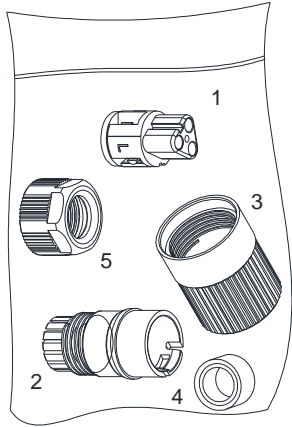
Unit: mm



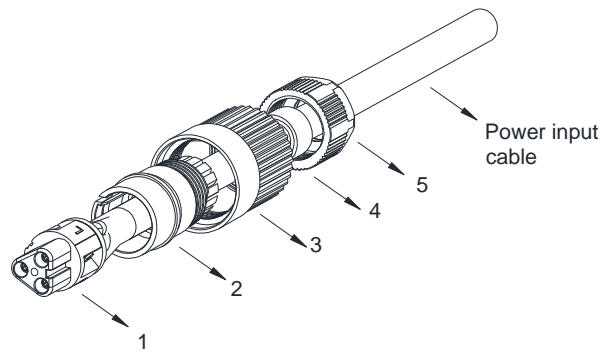
1. The luminaire shall be installed by a qualified electrician and wired in accordance with the latest IEE electrical regulations or the national requirements.
2. Turn off mains power supply when replacing LED Driver.
3. Application Ambient Temperature Range $-40\sim 55^\circ\text{C}$.
4. Rated lifetime 50,000hrs @ 70% Lumen maintenance $t_a 35^\circ\text{C}$.

1 Power input cable and female connector assembly

Plastic bag for female connector

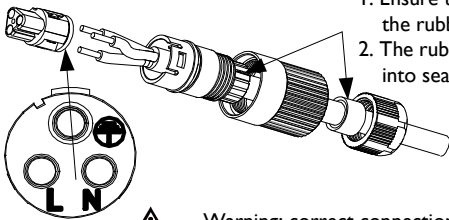


Female connector assembly Conception



Note: Please install the wire as the L,N & Earth mark which noted in the female connector

2 Male and female connector



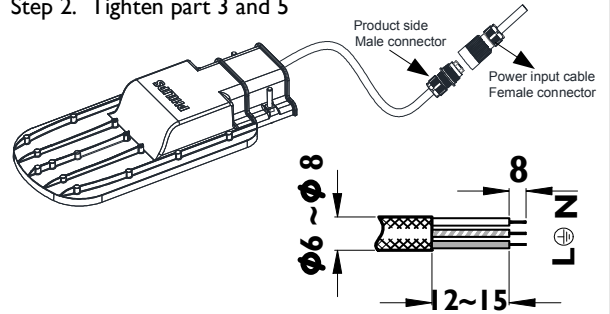
1. Ensure the cable wire through the rubber ring.
2. The rubber ring must be pushed into sealing position.



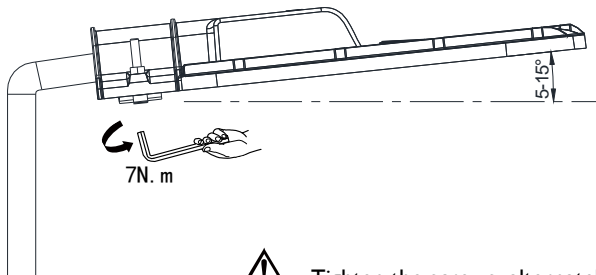
Warning: correct connection for polarities, also connection between male and female connectors.

Step 1. Fix male and female connector

Step 2. Tighten part 3 and 5



3 Mount Luminaires

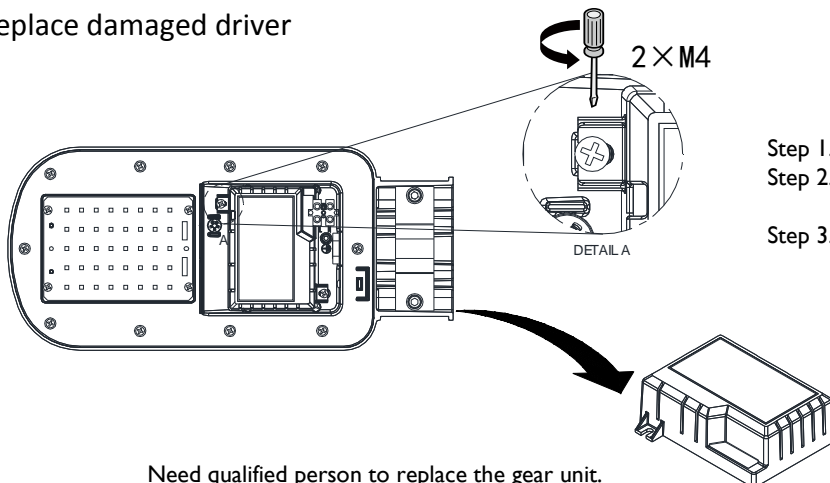


Installation angle: 5-15 degree
Pole diameter: 40-60mm



Tighten the screws, alternately and evenly

4 Replace damaged driver



- Step 1. Remove PC cover
- Step 2. Loosen wire connection with PCB and terminal block
- Step 3. Remove the driver box screw

Need qualified person to replace the gear unit.