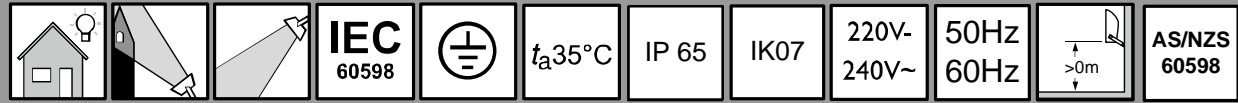


# Essential SmartBright Flood

BVP161-30W/50W/70W

Mounting instruction

444100098091

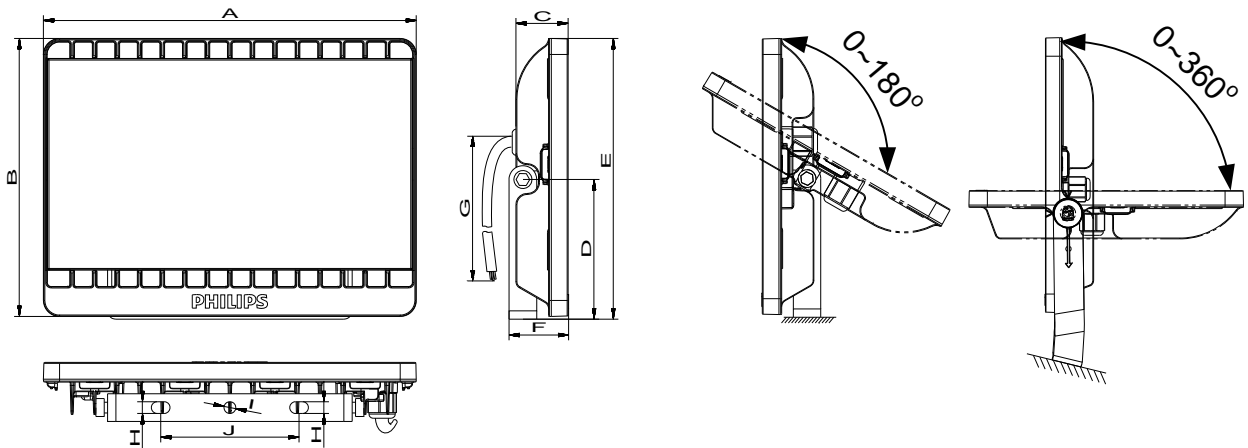


Product Type	CQC Description	LEDs	Power	Beam	Color	kg
BVP161 LED26/CW 30W 220-240V WB GREY	BVP161 40LED130	40	30	Symmetric	Grey	0.6
BVP161 LED26/CW 30W 220-240V WB GOLD	BVP161 40LED130	40	30	Symmetric	Golden	0.6
BVP161 LED43/CW 50W 220-240V WB GREY	BVP161 76LED120	76	50	Symmetric	Grey	1.2
BVP161 LED43/CW 50W 220-240V WB GOLD	BVP161 76LED120	76	50	Symmetric	Golden	1.2
BVP161 LED60/CW 70W 220-240V WB GREY	BVP161 80LED158	80	70	Symmetric	Grey	2.0
BVP161 LED60/CW 70W 220-240V WB GOLD	BVP161 80LED158	80	70	Symmetric	Golden	2.0
BVP161 LED26/NW 30W 220-240V WB GREY	BVP161 40LED130	40	30	Symmetric	Grey	0.6
BVP161 LED26/NW 30W 220-240V WB GOLD	BVP161 40LED130	40	30	Symmetric	Golden	0.6
BVP161 LED43/NW 50W 220-240V WB GREY	BVP161 76LED120	76	50	Symmetric	Grey	1.2
BVP161 LED43/NW 50W 220-240V WB GOLD	BVP161 76LED120	76	50	Symmetric	Golden	1.2
BVP161 LED60/NW 70W 220-240V WB GREY	BVP161 80LED158	80	70	Symmetric	Grey	2.0
BVP161 LED60/NW 70W 220-240V WB GOLD	BVP161 80LED158	80	70	Symmetric	Golden	2.0
BVP161 LED23/WW 30W 220-240V WB GREY	BVP161 40LED130	40	30	Symmetric	Grey	0.6
BVP161 LED23/WW 30W 220-240V WB GOLD	BVP161 40LED130	40	30	Symmetric	Golden	0.6
BVP161 LED39/WW 50W 220-240V WB GREY	BVP161 76LED120	76	50	Symmetric	Grey	1.2
BVP161 LED39/WW 50W 220-240V WB GOLD	BVP161 76LED120	76	50	Symmetric	Golden	1.2
BVP161 LED55/WW 70W 220-240V WB GREY	BVP161 80LED158	80	70	Symmetric	Grey	2.0
BVP161 LED55/WW 70W 220-240V WB GOLD	BVP161 80LED158	80	70	Symmetric	Golden	2.0

Type	A (mm)	B (mm)	C (mm)	D (mm)	E (mm)	F (mm)	G (mm)	H (mm)	I (mm)	J (mm)	Windage area (m <sup>2</sup> )
30W	193.2	142.5	33.8	75	153.5	38	300 or 600	8.5	8.5	70	0.027
50W	269.5	201.5	37.8	101	203.5	43	300 or 600	8.5	8.5	100	0.054
70W	315.5	233.5	41	131.5	279	350	300 or 600	8.5	8.5	170	0.075

30W and 50W Mounting angles

70W Mounting angle



Philips (China) Investment Co., Ltd  
 Address: No. 1602-1605, No. 218 Tianmu W Rd, Shanghai  
 Postalcode: 201801

# PHILIPS

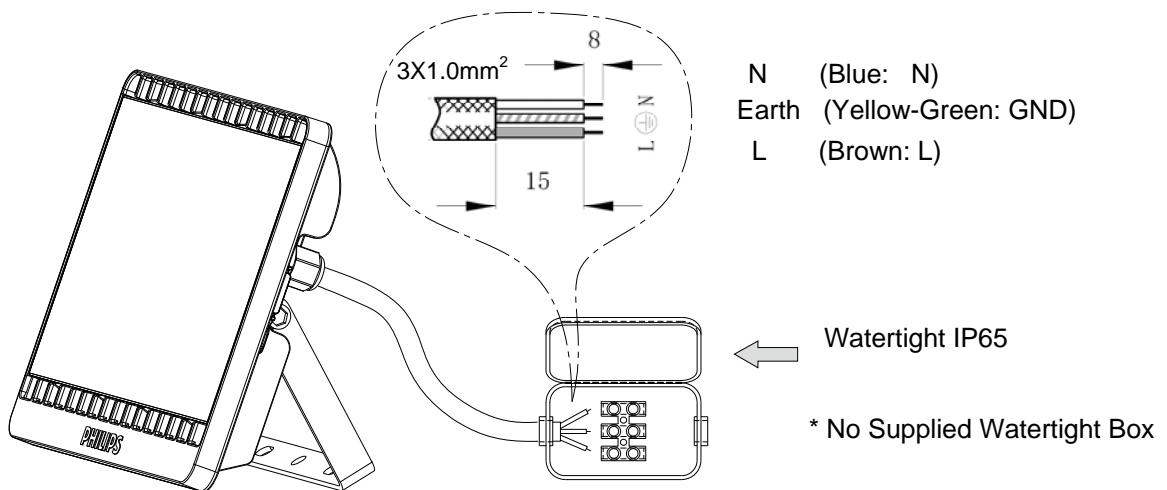


Caution

1. The connection of power cable on luminaire is type Y. The Luminaire should be ---- installed by a qualified electrician and wired in accordance with the latest IEC-60364-7-714 regulations.
2. The light source contained in this luminaire shall only be replaced by the manufacturer or his service agent or a similar qualified person.
3. If the external flexible cable or cord of this luminaire is damaged, it shall be exclusively replaced by the manufacturer or his service agent or a similar qualified person in order to avoid a hazard.
4. Switch off electricity supply (mains) before operation.
5. It is recommended to use a connection box with a minimum IP rating of IP 65. The requirement of connect light Using 3P terminal which confirmed to EN60998-2-1. The terminal's rated voltage is 450 V, rated capacity (current) is 15 A, the capacity wire of terminal cannot less than  $3 \times 1,0 \text{ mm}^2$ .
6. The fitting is electrically insulated, according to IEC60598, classification I. External earthing is therefore required.
7. The luminaire should be replaced immediately if any crack or deterioration.

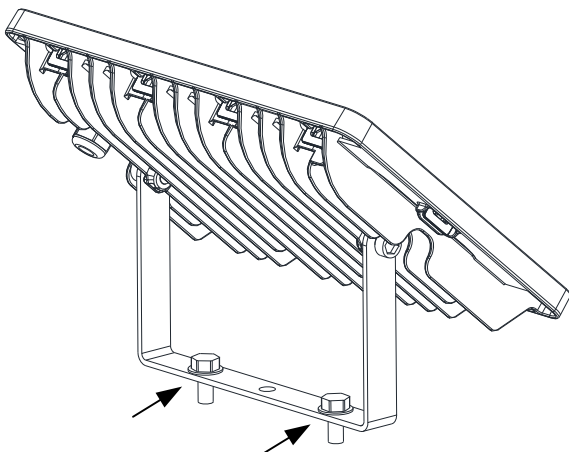
1

### Connect the power cord



2

Install the luminaire according to the national regular and make sure it will not fall off.



3

Fasten the bolt

