



MASTER LED Lamps

MASTER LED 5.5W 3000K MR16 60D AU

Delivering a warm, halogen/incandescent-like accent beam, MASTER LED lamp is an ideal retrofit solution for spot and general lighting applications in the hospitality industry. It is particularly suited to public areas such as receptions, lobbies, corridors, stairwells and washrooms, where the light is on all the time. MASTER LED delivers huge energy savings and minimizes maintenance cost without any compromise on brightness, enabling hospitality owners to achieve a fast return on their investment. These LED lamps are compatible with most fixtures and designed as a retrofit replacement alternative for halogen lamps or incandescent lamps.

Product data

• General Characteristics

Cap-Base	GU5.3
Bulb	MR16 [MR 16inch/50mm]
Rated Lifetime (hours)	25000 hr
Nominal Lifetime hours	25000 hr

• Light Technical Characteristics

Color Code	WH
Color Designation (text)	White
Beam Angle	60 D
Beam Description	- [-]
Correlated Color Temperature	3000 K
Luminous Flux	400 Lm
Luminous Intensity	280 cd
Color rendering index	80
Luminous Efficacy Lamp	72.73 Lm/W
Color Temperature	3000 K [CCT 3000K]
Rated Luminous Flux	400 Lm
LLMF - end nominal lifetime	70 %
Colour consistency	6 steps
Rated Beam Angle	60 D

• Electrical Characteristics

Wattage	5.5 W
Wattage Technical	5.5 W
Voltage	12 V
Line Frequency	50-60 Hz
Lamp Current mA	580 mA

Dimmable	No
Wattage Equivalent	50 W
Rated Wattage	5.5 W
Starting Time	0.5 (max) s
Warm-up Time to 60% Light Outp	instant full light
Suitable for accent lighting	Yes

• Temperature Characteristics

T-case maximum	95 C
----------------	------

• Environmental characteristics

Energy Efficiency Label (EEL)	A
Energy consumption kWh/1000h	6 kWh

• Measuring Conditions

Switching cycle	50000X
-----------------	--------

• Product Dimensions

Overall Length C	49 mm
Diameter D	50 mm

• Product Data

Order code	929000267119
Full product code	929000267119
Full product name	MASTER LED 5.5W 3000K MR16 60D AU
Order product name	MASTER LED 5.5W 3000K MR16 60D AU



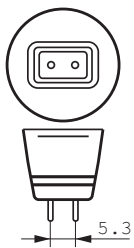
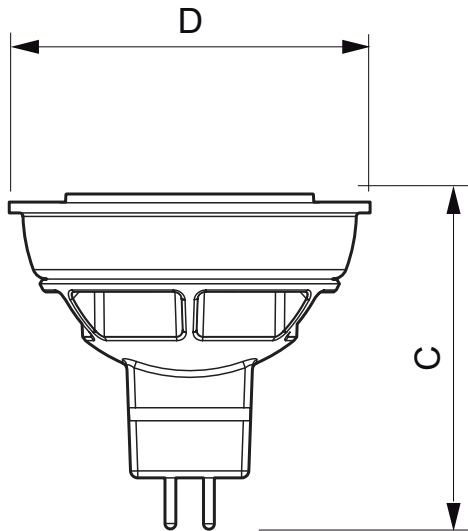
PHILIPS

MASTER LED Lamps

Pieces per pack 1
 Packing configuration 10
 Packs per outerbox 10
 Bar code on pack - EAN1 8718291762614

Bar code on outerbox - EAN3 8718291762621
 Logistic code(s) - 12NC 929000267119
 Net weight per piece 0.035 kg

Dimensional drawing

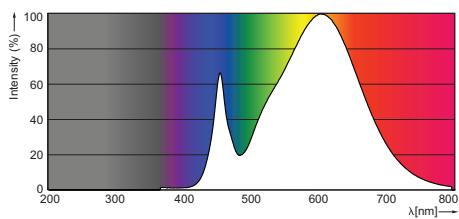


GU5.3

MASTER LED 5.5W 3000K MR16 60D AU

Product	C (Norm)	D (Norm)
LED 5.5-50W GU5.3 3000K MR16 60D AU	49	50

Photometric data



5.5-50 W, 6.5-35 W GU5.3 MR16 /830



© 2015 Koninklijke Philips N.V. (Royal Philips)
 All rights reserved.

Specifications are subject to change without notice. Trademarks are the property of Koninklijke Philips N.V. (Royal Philips) or their respective owners.

www.philips.com/lighting

2015, April 27
 data subject to change