



MASTER LEDspot LV

MASTER LED 7-50W 927 MR16 60D Dim

Delivering intense accent beam, MASTER LEDspot LV is an ideal retrofit solution for spot lighting. MASTER LEDspot LV is designed to replace halogen or incandescent spots. It realizes natural colors, enables cozy and comfortable ambience for residential, hospitality and emphasizes the beauty of merchandise in retail. New smaller housing provides perfect fitting with majority of luminaires in a market with a MR16 GU 5.3 holder. It not only employs Philips' patented solution to guarantee the broadest possible compatibility with standard 12V halogen electronic transformers, it also delivers high beam intensity which is equivalent to halogen MR16 spots. The dimming function enables to create the desired atmosphere and it works with broad selection of dimmers. Its high SDCM ensure stricter color consistency, that is maintained over product life. MASTER LEDspot LV delivers huge energy savings and minimizes maintenance cost without any compromise on light quality and lifetime, enabling residential and business owners to achieve a return on their investment within short period time.

Product data

General Information	
Cap-Base	GU5.3 [GU5.3]
Nominal Lifetime (Nom)	40000 h
Switching Cycle	50000X
Technical Type	7-50W

Light Technical	
Color Code	927
Beam Angle (Nom)	60 °
Luminous Flux (Nom)	500 lm
Luminous Flux (Rated) (Nom)	500 lm
Luminous Intensity (Nom)	500 cd
Color Designation	Warm White (WW)
Rated Beam Angle	60 °

Correlated Color Temperature (Nom)	2700 K
Luminous Efficacy (rated) (Nom)	71.00 lm/W
Color Consistency	<4
Color Rendering Index (Nom)	90
LLMF At End Of Nominal Lifetime (Nom)	70 %

Operating and Electrical	
Power (Rated) (Nom)	7 W
Lamp Current (Nom)	830 mA
Wattage Equivalent	50 W
Starting Time (Nom)	0.5 s
Warm Up Time to 60% Light (Nom)	0.5 s
Power Factor (Nom)	0.7

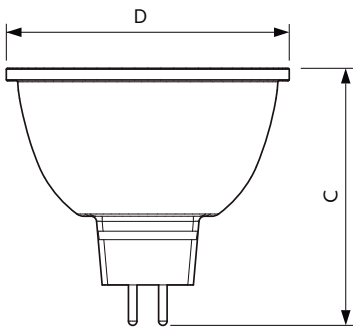
MASTER LEDspot LV

Voltage (Nom)	12 V
Temperature	
T-Case Maximum (Nom)	90 °C
Controls and Dimming	
Dimmable	Yes
Approval and Application	
Suitable For Accent Lighting	Yes
Energy Efficiency Label (EEL)	A
Energy Consumption kWh/1000 h	8 kWh

Product Data

Full product code	871869682560000
Order product name	MASTER LED 7-50W 927 MR16 60D Dim
EAN/UPC - Product	8718696825600
Order code	929001880408
Numerator - Quantity Per Pack	1
Numerator - Packs per outer box	10
Material Nr. (12NC)	929001880408
Net Weight (Piece)	0.052 kg

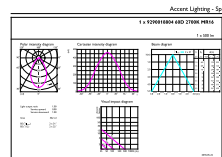
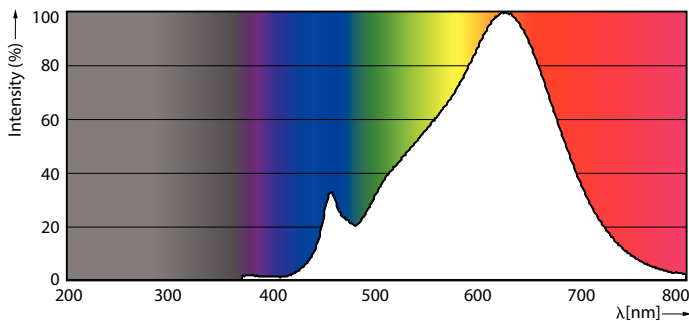
Dimensional drawing



MR16 12V 7-35W 400lm 60D 2700K GU5.3 D

Product	D	C
MASTER LED 7-50W 927 MR16 60D Dim	50.5 mm	46.5 mm

Photometric data

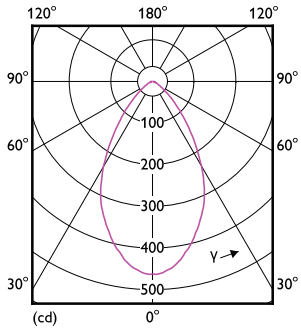


© 2018 Reduction Revolution Pty Ltd. All rights reserved. Page 11

7-50W GU5-3 MR16

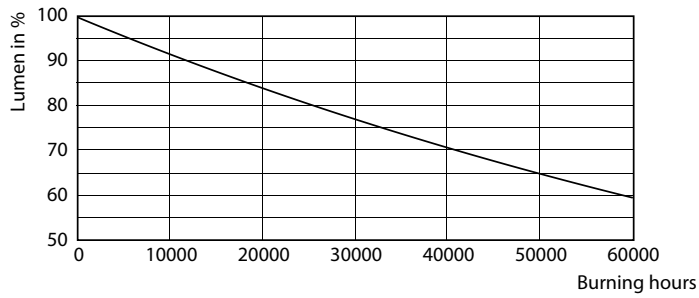
MASTER LEDspot LV

Photometric data

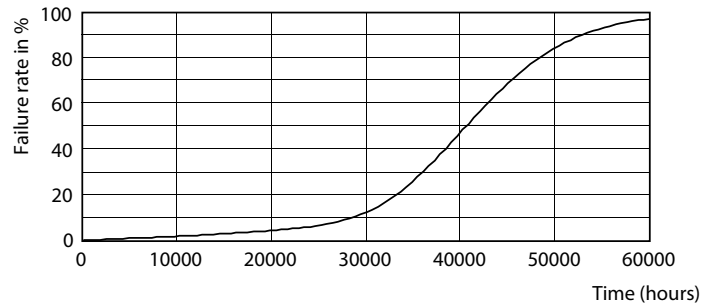


7-50W GU5-3 MR16 60D 927 2700K

Lifetime



7-50W GU5-3 MR16



7-50W GU5-3 MR16

