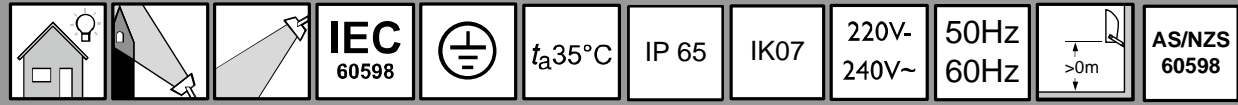


Essential SmartBright Flood

BVPI6I-30W/50W/70W/100W

Mounting instruction

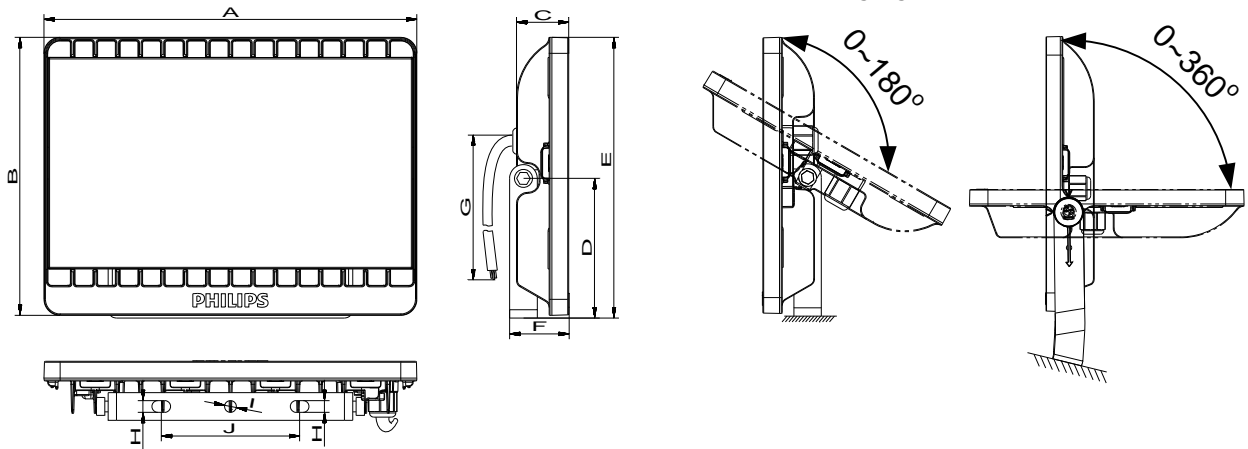
444100098091



Type	A (mm)	B (mm)	C (mm)	D (mm)	E (mm)	F (mm)	G (mm)	H (mm)	I (mm)	J (mm)	Windage area (m ²)
30W	193.2	142.5	33.8	75	153.5	38	600	8.5	8.5	70	0.027
50W	269.5	201.5	37.8	101	203.5	40	600	8.5	8.5	100	0.054
70W / 100W	315.5	233.5	41	131.5	279	40	600	8.5	8.5	170	0.075

30W & 50W Mounting angles

70W & 100W Mounting angle



Distributed by:

Reduction Revolution Pty Ltd
www.reductionrevolution.com.au

Philips (China) Investment Co., Ltd
 Address: No. 1602-1605, No. 218 Tianmu W Rd, Shanghai
 Postalcode: 201801

PHILIPS

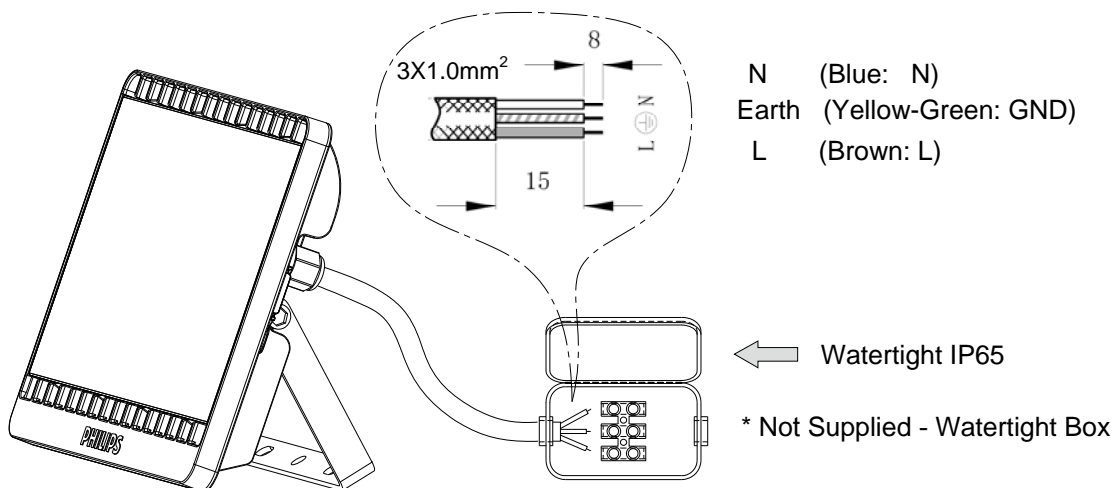


Caution

1. The connection of power cable on luminaire is type Y. The Luminaire should be ---- installed by a qualified electrician and wired in accordance with the latest IEC-60364-7-714 regulations.
2. The light source contained in this luminaire shall only be replaced by the manufacturer or his service agent or a similar qualified person.
3. If the external flexible cable or cord of this luminaire is damaged, it shall be exclusively replaced by the manufacturer or his service agent or a similar qualified person in order to avoid a hazard.
4. Switch off electricity supply (mains) before operation.
5. It is recommended to use a connection box with a minimum IP rating of IP 65. The requirement of connect light Using 3P terminal which confirmed to EN60998-2-1. The terminal's rated voltage is 450 V, rated capacity (current) is 15 A, the capacity wire of terminal cannot less than $3 \times 1,0 \text{ mm}^2$.
6. The fitting is electrically insulated, according to IEC60598, classification I. External earthing is therefore required.
7. The luminaire should be replaced immediately if any crack or deterioration.

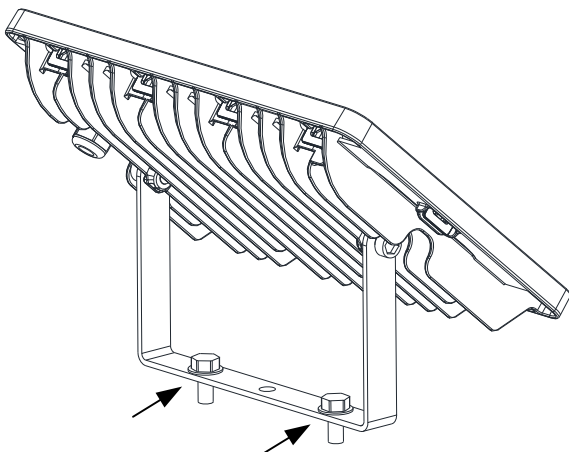
1

Connect the power cord



2

Install the luminaire according to the national regular and make sure it will not fall off.



3

Fasten the bolt

