

# LED Highbay

## BY698P

### Mounting instruction

444100098851



**GB**  
7000


**IEC**  
EN60598

**CB**

**IP65**



**ta**  
35 °C

Type	P(W)	Voltage /Frequency	D (mm)	W (mm)	H (mm)		CCT	Optics
BY698P LED110 PSU L3000 EN	85	220-240V 50/60Hz	379	382	96	3.5	CW/NW	NB/WB
BY698P LED160 PSU L3000 EN	120	220-240V 50/60Hz	417	418	105	4.2	CW/NW	NB/WB
BY698P LED200 PSU L3000 EN	155	220-240V 50/60Hz	452	454	107	5	CW/NW	NB/WB
BY698P LED300 PSU L3000 EN	225	220-240V 50/60Hz	530	534	120	7.9	CW/NW	NB/ENB
BY698P LED110 PSD L3000 EN	85	220-240V 50/60Hz	379	382	96	3.6	CW/NW	NB/WB
BY698P LED160 PSD L3000 EN	120	220-240V 50/60Hz	417	418	105	4.4	CW/NW	NB/WB
BY698P LED200 PSD L3000 EN	155	220-240V 50/60Hz	452	454	107	5.1	CW/NW	NB/WB
BY698P LED300 PSD L3000 EN	225	220-240V 50/60Hz	530	534	120	7.2	CW/NW	NB/ENB

#### Mounting accessories

1. Mounting hook (included in the packing box)

a. Hook

2. Mounting bracket

a. BY698Z Bracket LED110

- for BY698P LED110

b. BY698Z Bracket LED160

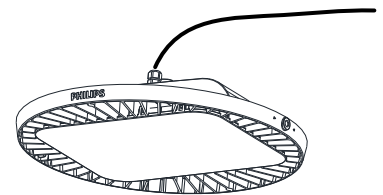
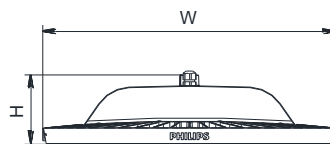
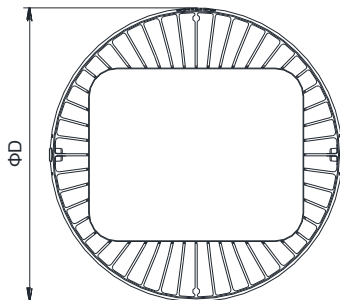
- for BY698P LED160

c. BY698Z Bracket LED200

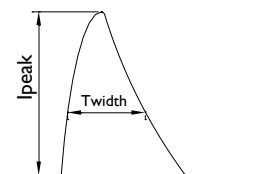
- for BY698P LED200

d. BY698Z Bracket LED300

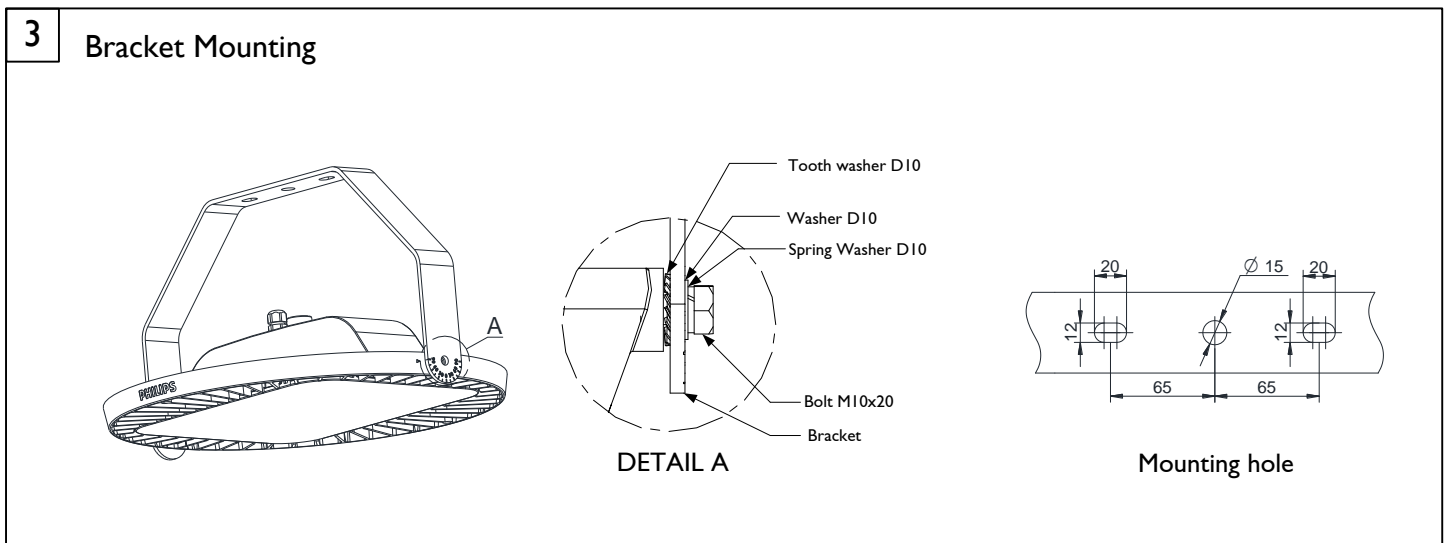
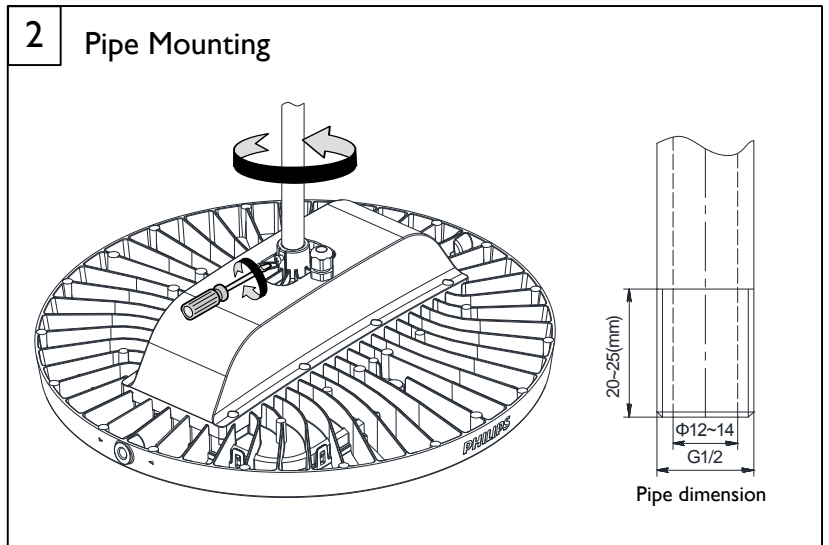
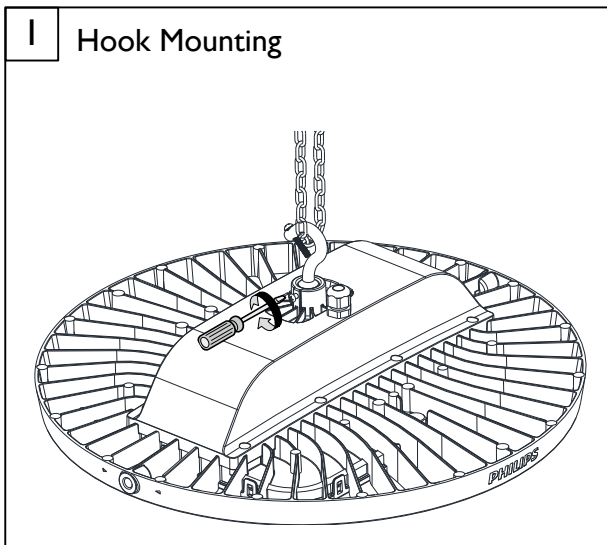
- for BY698P LED300



#### Inrush Current



	BY698P PSU				BY698P PSD			
	LED110	LED160	LED200	LED300	LED110	LED160	LED200	LED300
Ipeak(A)	46	46	46	92	46	53	53	106
Twidth(us)	440	440	440	440	250	300	300	300



### 4 Connect Power Cable

Please use IP65 or above terminal box (dimension can't smaller than 10x20x25), it is not provided by Philips.

**Luminaire cable:**  
**PSU&PSD Power Cable**

60245 IEC57 3x1mm<sup>2</sup>

Brown - L  
 Blue - N  
 Yellow+Green - GND

**PSD Signal Cable**

60245 IEC57 2x1mm<sup>2</sup>

Brown - DALI+  
 Blue - DALI-

**Power cable**

**Signal cable**

I、 The luminaire shall be installed by a qualified electrician and wired in accordance with the latest IEE electrical regulations or the national requirements .

2、 Do not switch on before complete installation.



3、 The height between luminous surface and ground suggest more than 5m; and the height between bottom of luminaire and mounting surface must be more than 0.3m.

4、 The cable of the luminaire should use “Y” type connection. It should be maintained by professional electrician.

5、 For Australia and New Zealand, this product is not suitable for household use.

6、 The light source of this luminaire is not replaceable; when the light source reaches its end of life, the whole luminaire shall be replaced.



7、 This marking indicates that this product should not be disposed with other household wastes throughout the EU. To prevent possible harm to the environment or human health from uncontrolled waste disposal, recycle it responsibly to promote the sustainable reuse of material resources. To return your used device, please use the return and collection systems or contact the retailer where the product was purchased. They can take this product for environmental safe recycling.”

8、 This is a general purpose luminaire, it should not be used in directly exposed environment containing hazardous substances for PC, consult your local Philips office for use in any special applications

9、 If the external flexible cable or cord of this luminaire is damaged, it shall be exclusively replaced by the manufacturer or his service agent or a similar qualified person in order to avoid hazards.

# PHILIPS