



# GreenPerform Highbay G3

## BY698P LED160/NW PSU WB L3000 EN

840 neutral white - Power supply unit - Wide beam

### Benefits

- High energy saving up to 65%~88% comparing to HPI-P system
- Superb light quality
- Easy installation and maintenance

### Features

- High efficacy: 130 lumens per watt
- Low UGR (NB/20 ~WB/26) and accurate color (CRI> 80)
- Lifetime 50,000 hours with IP65 & IK07 protection
- Super slim design and suits for hook, pipe mounting

### Applications

- General Industry Application: Factory, Warehouse, Distribution center
- Indoor sport hall
- Other high ceiling indoor applications

### Product data

| General Information           |                             |
|-------------------------------|-----------------------------|
| Beam angle of light source    | - °                         |
| Light source color            | 840 neutral white           |
| Light source replaceable      | No                          |
| Number of gear units          | 1 unit                      |
| Driver/power unit/transformer | Power supply unit           |
| Driver included               | Yes                         |
| Optic type                    | Wide beam                   |
| Luminaire light beam spread   | 100°                        |
| Connection                    | Flying leads/wires          |
| Cable                         | Cable 3.0 m with 3 pin plug |

|  |   |
|--|---|
| Protection class IEC                     | Safety class I                              |
| Glow-wire test                           | Temperature 650 °C, duration 5 s            |
| Flammability mark                        | For mounting on normally flammable surfaces |
| CE mark                                  | CE mark                                     |
| ENEC mark                                | -   |
| Warranty period                          | 3 years                                     |
| Constant light output                    | No  |
| Number of products on MCB of 16 A type B | 11  |
| RoHS mark                                | -   |

# GreenPerform Highbay G3

## Operating and Electrical

|                    |             |
|--------------------|-------------|
| Input Voltage      | 220-240 V   |
| Input Frequency    | 50 to 60 Hz |
| Inrush current     | 46 A        |
| Inrush time        | 0.44 ms     |
| Power Factor (Min) | 0.95        |

## Controls and Dimming

|          |    |
|----------|----|
| Dimmable | No |
|----------|----|

## Mechanical and Housing

|                             |                   |
|-----------------------------|-------------------|
| Housing Material            | Aluminum die-cast |
| Reflector material          | -                 |
| Optic material              | Polycarbonate     |
| Optical cover/lens material | Polycarbonate     |
| Fixation material           | -                 |
| Optical cover/lens finish   | Clear             |
| Overall height              | 105 mm            |
| Overall diameter            | 417 mm            |

## Approval and Application

|                              |   |
|------------------------------|---|
| Ingress protection code      | IP65 [ Dust penetration-protected, jet-proof] |
| Mech. impact protection code | IK07 [ 2 J reinforced]                        |

## Initial Performance (IEC Compliant)

|                                |          |
|--------------------------------|----------|
| Initial luminous flux          | 16000 lm |
| Luminous flux tolerance        | +/-10%   |
| Initial LED luminaire efficacy | 133 lm/W |

|                               |                      |
|-------------------------------|----------------------|
| Init. Corr. Color Temperature | 4000 K               |
| Init. Color Rendering Index   | >80                  |
| Initial chromaticity          | (0.38, 0.38) SDCM <5 |
| Initial input power           | 120 W                |
| Power consumption tolerance   | +/-10%               |

## Over Time Performance (IEC Compliant)

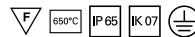
|                               |         |
|-------------------------------|---------|
| Driver failure rate at 5000 h | 1 %     |
| Median useful life L70B50     | 50000 h |
| Median useful life L80B50     | 40000 h |
| Median useful life L90B50     | 30000 h |

## Application Conditions

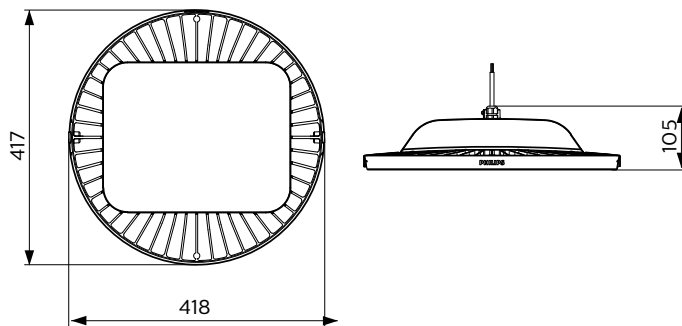
|                               |               |
|-------------------------------|---------------|
| Ambient temperature range     | -30 to +50 °C |
| Suitable for random switching | No            |

## Product Data

|                                 |                                  |
|---------------------------------|----------------------------------|
| Full product code               | 099                              |
| Order product name              | BY698P LED160/NW PSU WB L3000 EN |
| Order code                      | 911401845899                     |
| Numerator - Quantity Per Pack   | 1                                |
| Numerator - Packs per outer box | 1                                |
| Material Nr. (12NC)             | 911401845899                     |
| Net Weight (Piece)              | 4.2 kg                           |



## Dimensional drawing



GreenPerform High-bay gen3 BY698P



**REDUCTION**  
R E V O L U T I O N