



# GreenPerform Highbay G3

**BY698P LED160/NW PSU WB L3000 EN**

840 neutral white - Power supply unit - Wide beam

Following the successful introduction of the GreenPerform Highbay G2 in 2013, while continue providing the superior light quality, long service lifetime, reduced energy consumption and less maintenance, the new generation Highbay seamlessly integrates state-of-the-art LED lighting with an easy-to-use and reliable wireless ZigBee control solution. When the situation on the work floor changes, settings such as dimming levels and timing can be changed wirelessly by the end-users themselves. Luminaires can be combined in groups across the layout, and re-zoning them does not require a hardware change, thus minimizing commissioning costs. The system delivers savings over and above the actual efficiency of the LEDs and is future-proof. Easy to understand, easy to design-in, and easy to use, it's a smart way to light up your business.

## Product data

General Information		Protection class IEC	
Beam angle of light source	- °	Protection class IEC	Safety class I
Light source color	840 neutral white	Glow-wire test	Temperature 650 °C, duration 5 s
Light source replaceable	No	Flammability mark	For mounting on normally flammable surfaces
Number of gear units	1 unit	CE mark	CE mark
Driver/power unit/transformer	Power supply unit	ENEC mark	-
Driver included	Yes	Warranty period	3 years
Optic type	Wide beam	Constant light output	No
Luminaire light beam spread	100°	Number of products on MCB of 16 A type B	11
Connection	Flying leads/wires	RoHS mark	-
Cable	Cable 3.0 m without plug		

**Distributed by:**  
 Reduction Revolution Pty Ltd  
[www.reductionrevolution.com.au](http://www.reductionrevolution.com.au)

# GreenPerform Highbay G3

## Operating and Electrical

Input Voltage	220-240 V
Input Frequency	50 to 60 Hz
Inrush current	46 A
Inrush time	0.44 ms
Power Factor (Min)	0.95

## Controls and Dimming

Dimmable	No
----------	----

## Mechanical and Housing

Housing Material	Aluminum die-cast
Reflector material	-
Optic material	Polycarbonate
Optical cover/lens material	Polycarbonate
Fixation material	-
Optical cover/lens finish	Clear
Overall height	105 mm
Overall diameter	417 mm

## Approval and Application

Ingress protection code	IP65 [ Dust penetration-protected, jet-proof]
Mech. impact protection code	IK07 [ 2 J reinforced]

## Initial Performance (IEC Compliant)

Initial luminous flux	16000 lm
Luminous flux tolerance	+/-10%
Initial LED luminaire efficacy	133 lm/W

Init. Corr. Color Temperature	4000 K
Init. Color Rendering Index	>80
Initial chromaticity	(0.38, 0.38) SDCM <5
Initial input power	120 W
Power consumption tolerance	+/-10%

## Over Time Performance (IEC Compliant)

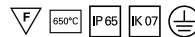
Driver failure rate at 5000 h	1 %
Median useful life L70B50	50000 h
Median useful life L80B50	40000 h
Median useful life L90B50	30000 h

## Application Conditions

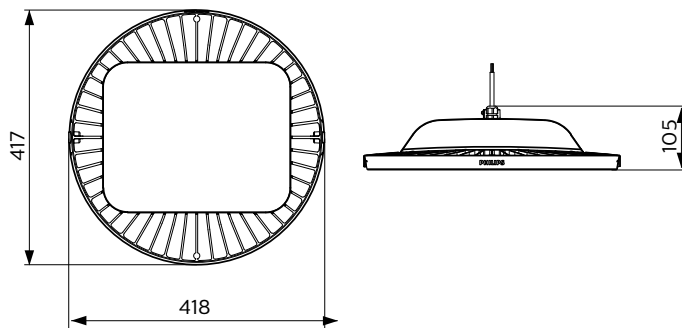
Ambient temperature range	-30 to +50 °C
Suitable for random switching	No

## Product Data

Full product code	099
Order product name	BY698P LED160/NW PSU WB L3000 EN
Order code	911401845899
Numerator - Quantity Per Pack	1
Numerator - Packs per outer box	1
Material Nr. (12NC)	911401845899
Net Weight (Piece)	3.999 kg



## Dimensional drawing



GreenPerform High-bay gen3 BY698P



**REDUCTION**  
R E V O L U T I O N