



# Essential SmartBright G3 LED Downlight DN029B

## DN029B-3 LED8/WW SD D90 CAU

Power supply unit - 105°

Essential SmartBright Downlight G3 family is the perfect energy efficient LED replacement for conventional downlights. It offers three solutions:;Solution 1;The energy efficient LED replacement for conventional downlights;Essential SmartBright Downlight G3 DN029B-1–trailing and leading edge dimmable downlight is the ideal functional replacement for conventional downlights. This affordable and easy to install fitting delivers high energy savings without compromising on light quality.;Solution 2;Select the right colour temperature to suit your style;This hassle-free Essential SmartBright DN029B-2 downlight provides you with the flexibility to select the perfect colour temperature (Warm White/Cool White/Day Light) for the application. Integrated with trailing/leading edge dimming capability, this affordable and easy to install fitting delivers high energy savings without compromising on light quality.;Solution 3;Enjoy the flexibility of a dimmable fitting without paying more;Essential SmartBright DN029B-3 step dimming downlight is the perfect hassle-free replacement for conventional dimmable downlights. Adjust the light level straight from the switch and save cost with installation as a dimmer unit is not required.

### Product data

General Information			
Light source replaceable	No	Cable	Cable 1.2 m with plug
Number of gear units	1 unit	Protection class IEC	Safety class II
Driver/power unit/transformer	Power supply unit	Warranty period	3 years
Driver included	Yes	Constant light output	No
Luminaire light beam spread	105°		

# Essential SmartBright G3 LED Downlight DN029B

## Operating and Electrical

Input Voltage	220-240 V
Input Frequency	50 or 60 Hz
Inrush current	5.1 A
Inrush time	0.03 ms
Power Factor (Min)	0.8

## Controls and Dimming

Dimmable	Yes
----------	-----

## Mechanical and Housing

Housing Material	Polybutylene-terephthalate
Reflector material	-
Optical cover/lens material	Polycarbonate
Overall height	64.3 mm
Overall diameter	115 mm

## Approval and Application

Ingress protection code	IP20/44 [ Finger-protected; wire-protected, splash-proof]
-------------------------	---

## Initial Performance (IEC Compliant)

Initial luminous flux (system flux)	800 lm
Luminous flux tolerance	+/-10%
Initial LED luminaire efficacy	80 lm/W

Init. Corr. Color Temperature	3000 K
Init. Color Rendering Index	80
Initial chromaticity	SDCM<5
Initial input power	10 W
Power consumption tolerance	+/-10%

## Application Conditions

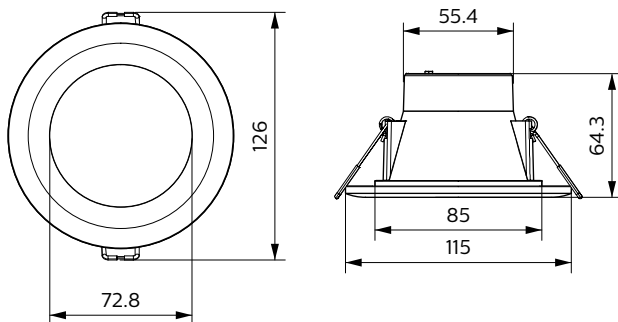
Ambient temperature range	-20 to +40 °C
Maximum dim level	10%
Suitable for random switching	Not applicable

## Product Data

Full product code	871016331471699
Order product name	DN029B-3 LED8/WW SD D90 CAU
EAN/UPC - Product	8710163314716
Order code	911401851697
Numerator - Quantity Per Pack	1
Numerator - Packs per outer box	24
Material Nr. (12NC)	911401851697
Net Weight (Piece)	0.220 kg



## Dimensional drawing



DN029B-1/2/3 LED8 D90 CAU



[www.lighting.philips.com](http://www.lighting.philips.com)

2018, October 5 - data subject to change

© 2018 Philips Lighting Holding B.V. All rights reserved. Philips Lighting reserves the right to make changes in specifications and/or to discontinue any product at any timewithout notice or obligation and will not be liable for any consequences resulting from the use of this publication.

**Distributed by:**  
Reduction Revolution Pty Ltd  
[www.reductionrevolution.com.au](http://www.reductionrevolution.com.au)