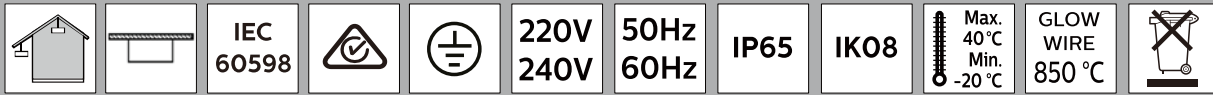


SmartBright Dual Select Waterproof WT071C/WT072C

Mounting Instruction

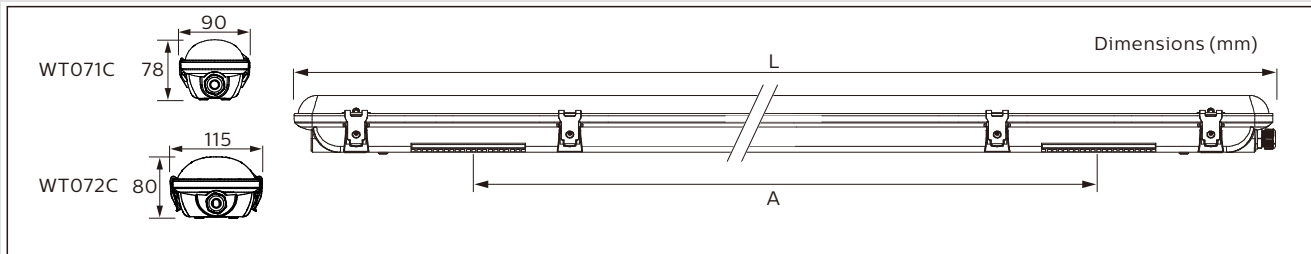
Distributed by:
Reduction Revolution Pty Ltd
www.reductionrevolution.com.au/LED

VI.0



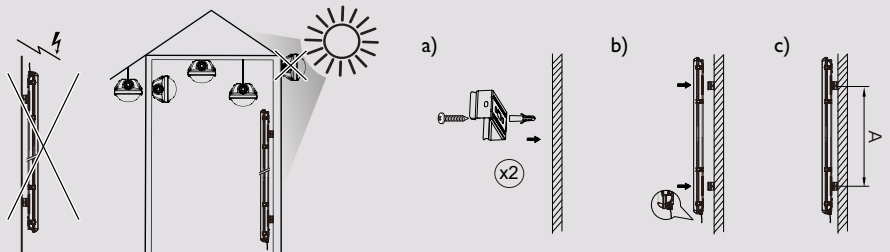
Type	CCT(K)*1	Lumen Output(lm)*2	P(W)*3	Dimension		kg
				L(mm)	A(mm)	
WT071C LED SWT/SCCT L600 PSU Slim	4000, 5000, 6500 (selectable)	1265/2000	11/18	607	210-350	0.8
WT071C LED SWT/SCCT L1200 PSU Slim		2400/4000	20/36	1207	660-870	1.4
WT071C LED SWT/SCCT L1500 PSU Slim		3640/6000	28/50	1507	960-1170	1.68
WT072C LED SWT/SCCT L600 PSU Wide		1265/2000	11/18	607	210-350	1
WT072C LED SWT/SCCT L1200 PSU Wide		2400/4000	20/36	1207	660-870	1.64
WT072C LED SWT/SCCT L1500 PSU Wide		3640/6000	28/50	1507	960-1170	2.1

*1 Default 4000K;
*2 For 4000K, 6500K; higher lumen output at 5000K.
*3 Default "High" as the high wattage setting, switch to "Low" for the low wattage.

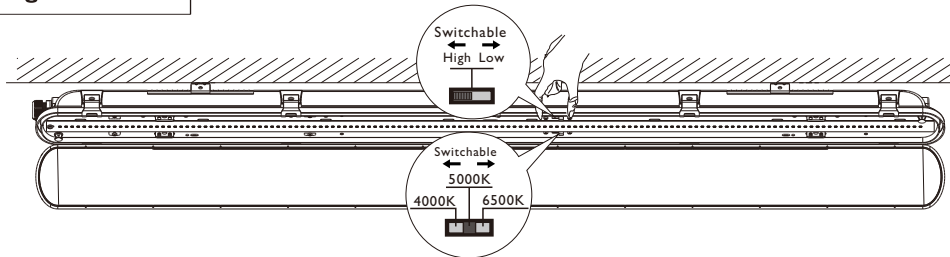


Installation

- Ceiling Mounting
- Wall Mounting (Horizontal)
- Suspended Mounting

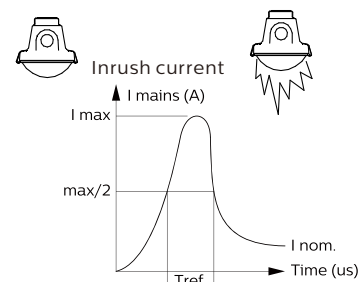


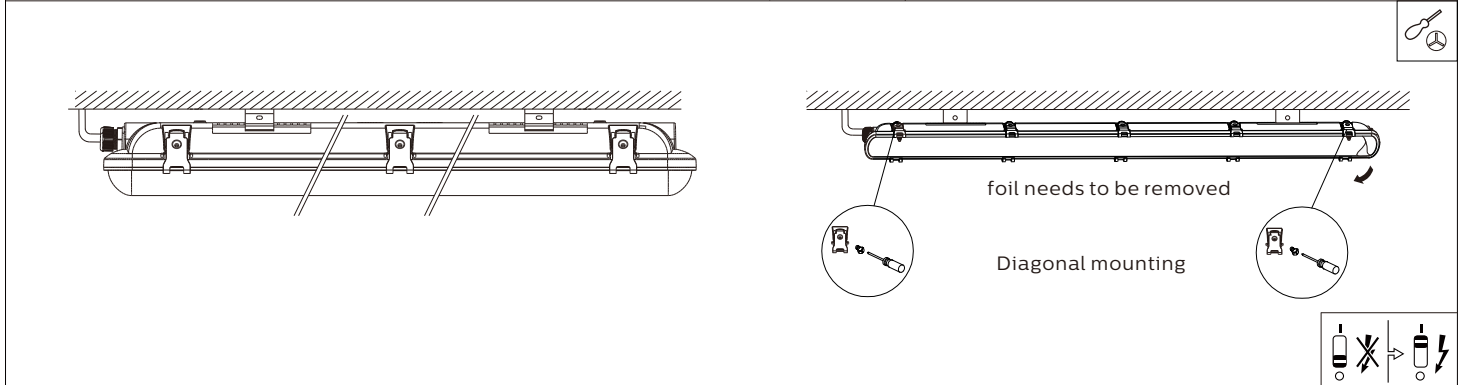
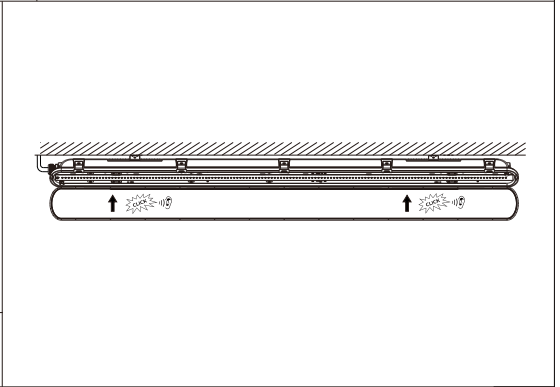
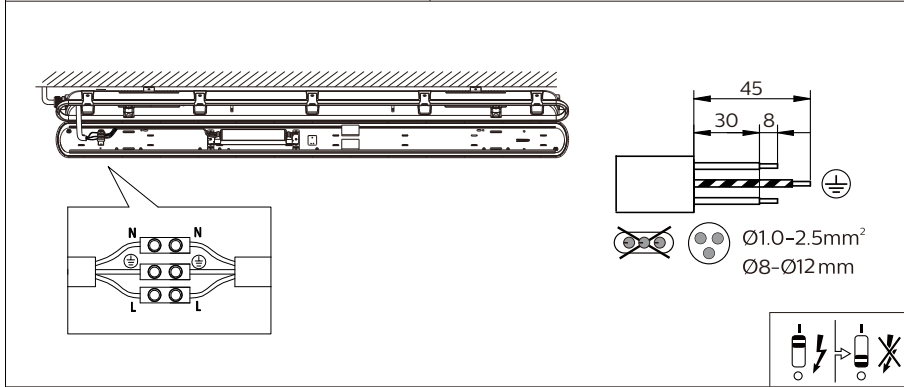
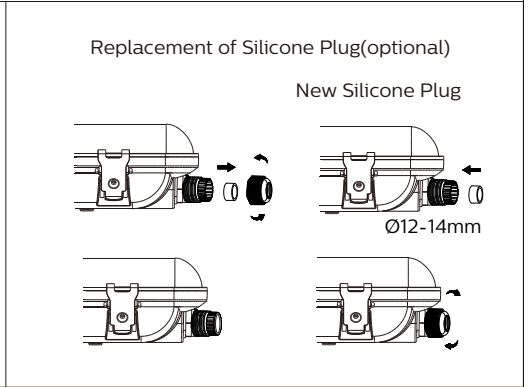
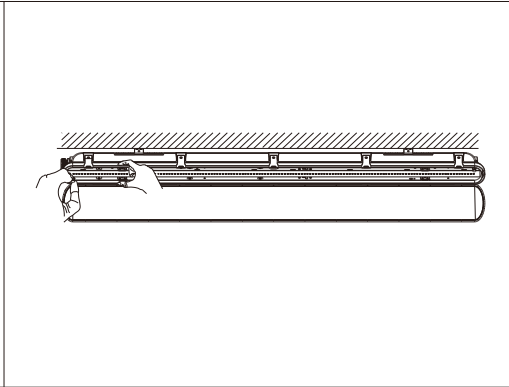
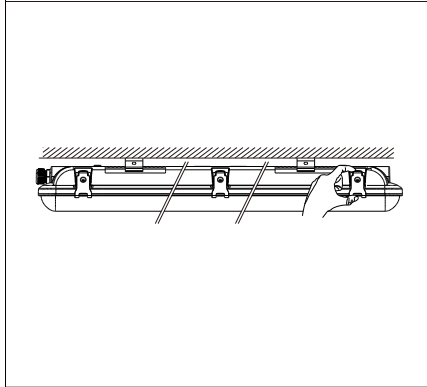
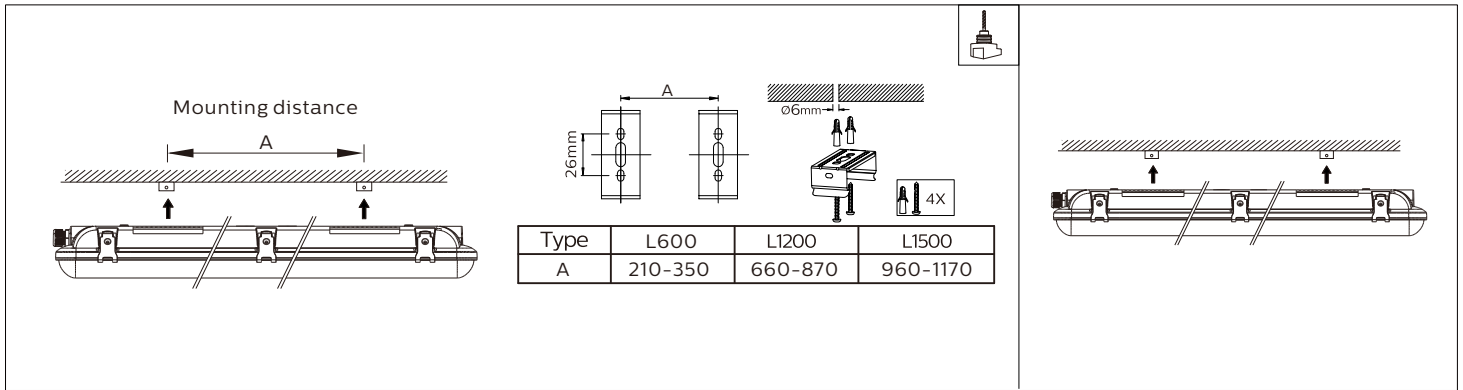
CCT & Wattage Switch



Inrush current

	L600	L1200	L1500
I _{max}	9.08	14.2	15
T _{ref} [μs]	175	222	240
Max. Nr of products			
Drivers/ MCB16A type B [max.]	72	36	31
Drivers/ MCB10A type B [max.]	45	22	19
Drivers/ MCB16A type C [max.]	122	61	52
Drivers/ MCB10A type C [max.]	74	37	32





This product contains a light source of energy efficiency class: E

The light source and/or control gear and/or the external flexible cable contained in this luminaire shall only be replaced by the manufacturer or his service agent or a similar qualified person.

Disconnect before serving, Luminaire has basic insulation between Low Voltage supply and control conductors.

Storage, installation, use, operation and maintenance of the products needs to be performed exactly according the instructions in this manual and/or other instructions as may be provided by us to guarantee safe use of the product over its entire lifetime. Failure to adhere to these instructions will invalidate your entitlement to warranty. Bolts with indication of torque strength on the drawing need to be tightened using a calibrated torque wrench. Pre-assembled bolts need to be retightened again to the required torque specification to assure maximum strength over lifetime.

Distributed by:
Reduction Revolution Pty Ltd
www.reductionrevolution.com.au/LED