

# GreenPerform Highbay G4

LED Highbay/ LED高天棚灯  
BY698P G2

Mounting instruction/ 安装说明

Distributed by:

Reduction Revolution Pty Ltd

[www.reductionrevolution.com.au](http://www.reductionrevolution.com.au)

44410008371

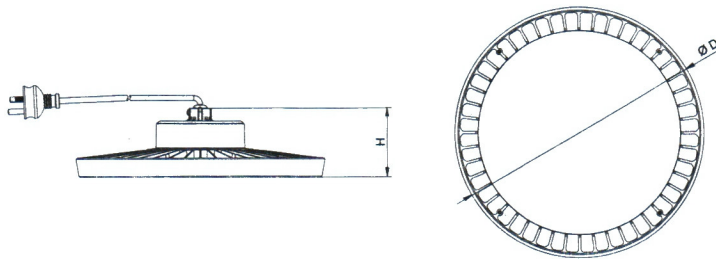


Type Desc 型号描述	Pmax.(W) 灯具功率(W)	Voltage/Frequency 电压/频率	D (mm)	H (mm)	kg	CCT 色温
BY698P LED155 PSU CAU G2 CL	115	220-240V 50/60Hz	307	99	2.5	4000k/5000k
BY698P LED205 PSU CAU G2 CL	149	220-240V 50/60Hz	360	99	3.2	4000k/5000k
BY698P LED265 PSU CAU G2 CL	192	220-240V 50/60Hz	416	99	4.1	4000k/5000k

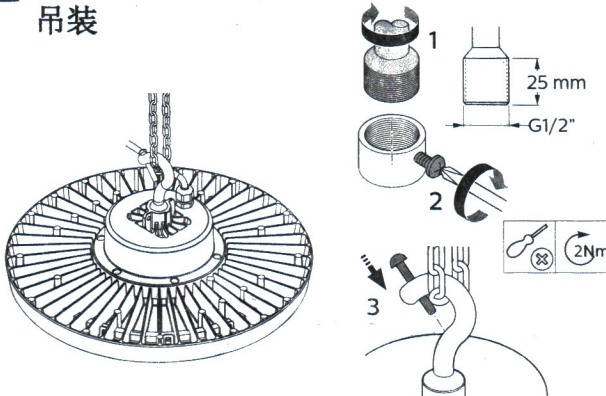
### Mounting Accessories (Option)

1. Mounting Hook  
911401565101
2. Mounting Bracket  
911401523461
3. Reflector  
911401523161 BY698Z R-AL S G2  
911401523261 BY698Z R-AL M G2  
911401523361 BY698Z R-AL L G2

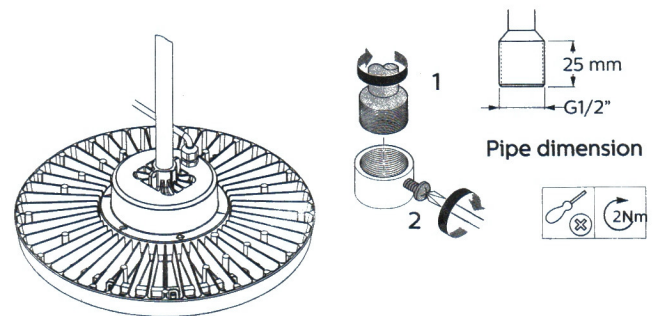
\*All accessories(except Hook) not include in package.



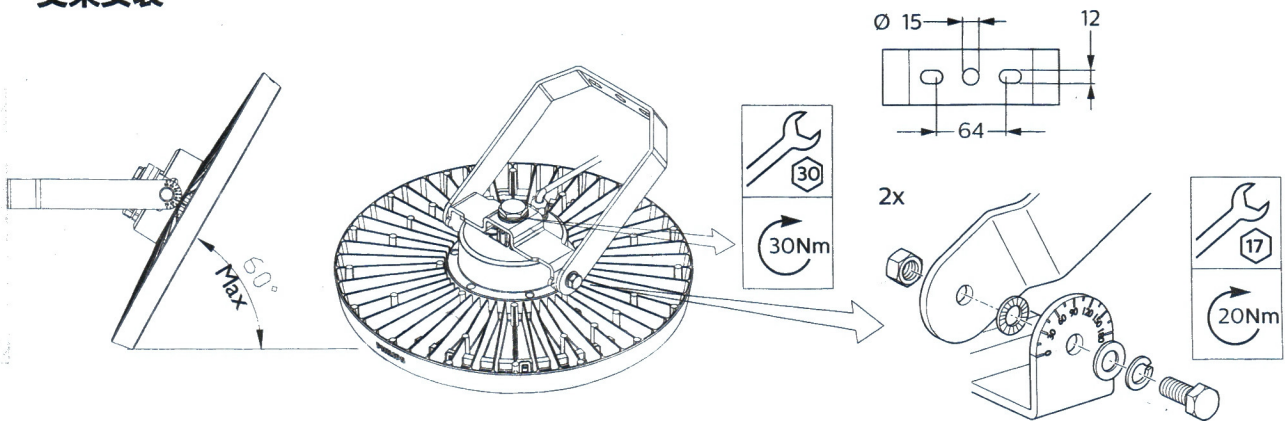
### 1 Hook Mounting 吊装



### 2 Pipe Mounting 杆装



### 3 Bracket Mounting 支架安装

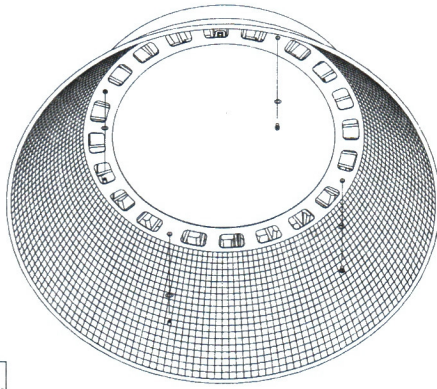


Signify (China) Investment Co., Ltd.  
Address: Building 9 #, Lane 888, Tian lin Road, Min hang District, Shanghai City  
Zip Code: 200233  
昕诺飞 (中国) 投资有限公司  
地址: 上海市闵行区田林路888弄9号楼  
邮编: 200233

# PHILIPS

Philips and the Philips shield emblem are registered trademarks of Koninklijke Philips N.V.

#### 4 Reflector Mounting(Optional) 反射器安装 (可选)



移除尼龙螺丝，用反射器自带的螺丝和垫片固定反射器。

Remove 4pcs nylon screws, use 4pcs M4x10 Screw & D4 Cushion to fix reflector

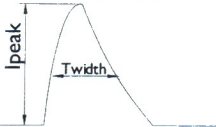
注意：1.反射器安装必须在灯具固定和电源线连接步骤之前完成。  
2.反射器安装过程中，请注意保护透光罩

Attention: 1. Reflector installation must be completed before steps of luminaire fixing and power cable connection .  
2. Please protect the diffuser during the steps of reflector installation.

	Reflector	I2NC
BY698P LED155 G2	BY698Z R-AL S G2	911401523161
BY698P LED205 G2	BY698Z R-AL M G2	911401523261
BY698P LED265 G2	BY698Z R-AL L G2	911401523361

#### Inrush current

MODEL	Run current (A) @230V()	Start(Inrush)current(A) /Ipeak(A)	start current Duration(us) /T(@50% of Ipeak)(us)	*Touch current or protective conductor current(mA)	Maximum Number of Luminaire on MCB 16A Type C (pcs)
BY698P LED155 PSU CAU G2	0.55	54	650	0.7	8
BY698P LED205 PSU CAU G2	0.71	64	750	0.7	8
BY698P LED265 PSU CAU G2	0.92	64	750	0.7	8



The leakage current \*(touch current or protective conductor current) of electrical circuit may be greatly dependent upon electrical supply cables used such as its rating and length, proper connection of electrical supply cables to luminaires and wiring connection topology of luminaires to the supply electrical circuit amongst other site conditions.

\* In some cases referred to as Earth Leakage Current.



This marking indicates that this product should not be disposed with other household wastes throughout the EU. To prevent possible harm to the environment or human health from uncontrolled waste disposal, recycle it responsibly to promote the sustainable reuse of material resources. To return your used device, please use the return and collection systems or contact the retailer where the product was purchased. They can take this product for environmental safe recycling.

CN

#### 警告

- 1.灯具应由有资格的电工安装，接线要符合IEE电气标准或国家标准。
- 2.检查，安装或移动灯具之前，必须切断电源。
- 3.灯具使用前，必须先接地。整个使用过程中，也必须确保灯具始终接地。
- 4.如发现异常或操作有任何问题，请务必先切断电源，然后与 昕诺飞经销商联系。
- 5.灯具避免在腐蚀性环境或者含有有害物质，例如硫化物，卤化物，邻苯二甲酸酯等环境中存储和使用。
- 6.由不当使用或自行更改产品结构而导致损坏，生产商不承担责任。

#### 电源线连接

- 7.如果此灯具的外部软缆或软线损坏了，该线要由制造商或其服务提供商或有类似资格的人更换，以避免发生危险。

#### 适用环境要求

- 8.本灯具仅限室内使用。
- 9.灯具发光面距离地面建议大于5m,灯具底部距离安装面至少0.3m。
- 10.本灯具不可用作投光灯具或隧道灯具等。
- 11.本灯具不适合恶劣振动环境下使用，如易经常导致灯具振动或摆动等环境。
- 12.如果客户要求灯具安装后发光面水平度<1°，建议使用杆装方式，并在现场安装时使用水平仪进行精确测量调整。维护要求
- 13.为了保持灯具明亮效果，建议定期（如半年一次）进行清洁。灯具清洁时请使用软布擦拭。
- 14.此灯具内的光源应由制造商或其服务提供商或有类似资格的人来更换。



警告，触电危险

#### Warning

EN

1. The luminaire shall be installed by a qualified electrician and wired in accordance with the latest IEE electrical regulations or the national requirements.
2. Turn power off before inspection, installation or removal.
3. Before using, external earthing is must required. Earthing is also must required in its whole life.
4. The Luminaire must be used within the applicable product specifications, installation instructions and environmental conditions for storage & operations according to application guidelines provided by Signify for product Warranty to be valid.
5. The corrosive atmosphere or hazardous materials such as sulfur, chlorine, phthalate, etc must be avoided during the use and storage.
6. The manufacturer will not take responsibility caused by improper use or self-modifications of the product.

#### Power Connection

7. If the external flexible cable or cord of this luminaire is damaged. It shall be exclusively replaced by the manufacturer or his service agent or a similar qualified person in order to avoid a hazard.

#### Application

8. For Indoor use only.
9. The height between luminous surface and ground suggested be more than 5m; the height between bottom of luminaire and mounting surface must be more than 0.3m.
10. Luminaire don't have any evaluation on additional protection measures to prevent luminaire from high-altitude falling and windproof structure, can't be used as flood and tunnel luminaire.
11. Not suitable for use in harsh vibration and often causing vibration or swinging environment. Also, not suitable for area prone to hurricane and extreme winds.
12. If customer require the luminous surface levelness<1°, the pipe mounting method is recommended, and suggest to use gradienter to precisely measure and adjust.

#### Maintenance

13. Periodic cleaning of the luminaire optical lens cover will ensure maximum optical efficiency. Luminaire shall be cleaned with a dry soft cloth only.
14. The light source contained in this luminaire shall only be replaced by the manufacturer or his service agent or a similar qualified person.

