



# Essential SmartBright Solar Wall Light

## BWS010 LED300/765

Outdoor solar wall light with inbuilt lithium ferro phosphate battery, solar panel, inbuilt motion sensor, switch to change modes and LED lights integrated in ABS plastic housing.

### Warnings and Safety

- This product includes rechargeable batteries which must be adequately charged under sunlight before use.

### Product data

General information	
Driver included	Yes
Optical cover/lens type	Without lens
Control interface	Button
Warranty period	1 years
Material	Acrylonitrile-butadiene-styrene

Operating and electrical	
Battery type	Lithiumion - NMC
Battery ampere hour	2 Ah
Battery voltage	3.7 V
Panel type	Poly crystalline
Panel peak wattage	1.3 W
Charge controller type	PWM

Controls and dimming	
Dimmable	Yes
Configurability	Configurable

Mechanical and housing	
Overall length	125 mm
Overall width	178 mm
Overall height	54 mm

Approval and application	
Ingress protection code	IP 42

Initial performance (IEC compliant)	
Initial luminous flux (system flux)	300 lm
Initial LED luminaire efficacy	100 lm/W
Init. Corr. Color Temperature	6500 K
Init. Color Rendering Index	>70

Application conditions	
Ambient temperature range	0 to +45 °C
Solar dimming profile	As per mode switch
Battery location	Inside luminaire

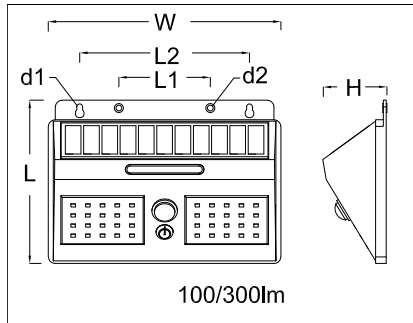
# Essential SmartBright Solar Wall Light

## Product data

Full product code	692382864905099
Order product name	BWS010 LED300/765
EAN/UPC - Product	6923828649050
Order code	911401828302
Numerator - Quantity Per Pack	1

Numerator - Packs per outer box	100
Material Nr. (12NC)	911401828302
Net Weight (Piece)	0.210 kg

## Dimensional drawing



BWS010 LED300/765

