

DATA SHEET

LED SUPERSTAR Gimble Downlight Range



The LEDVANCE® LED SUPERSTAR Gimble Downlight Range features a high precision TIR lens which ensures uniform brightness without light scattering or glare. It delivers a concentrated broad 60 degree beam just like the popular halogen MR16 down light. The gimble feature allows adjustment of the beam direction by up to 30% to meet a wide range of general, accent and task lighting requirements in commercial and residential applications. Available in both 70mm and 92mm cut outs and Warm White 3000K or Cool White 4000K colour temperatures. It's a stylish direct replacement for halogen MR16 or GU10 lamp based downlights.

Product Features & Benefits:

- High precision Total Internal Reflection (TIR) lens delivers uniform brightness
- Delivers concentrated controlled 60 degree beam just like halogen MR16
- Gimble allows up to 30° adjustment of beam direction for comfort, accent or task lighting
- Recessed lens and precision optics ensure low glare
- Smooth dimming performance
- Classic simple modern design
- 30,000 hours lifetime @ L70
- Efficacy of 90Lm/W
- Quality patented (intellectual property compliant) LED chips
- IC4 rated – fully coverable with insulation
- Pre-wired with 1.2m flex and plug for quick installation

Application Areas: • Commercial and Residential

General Specifications:

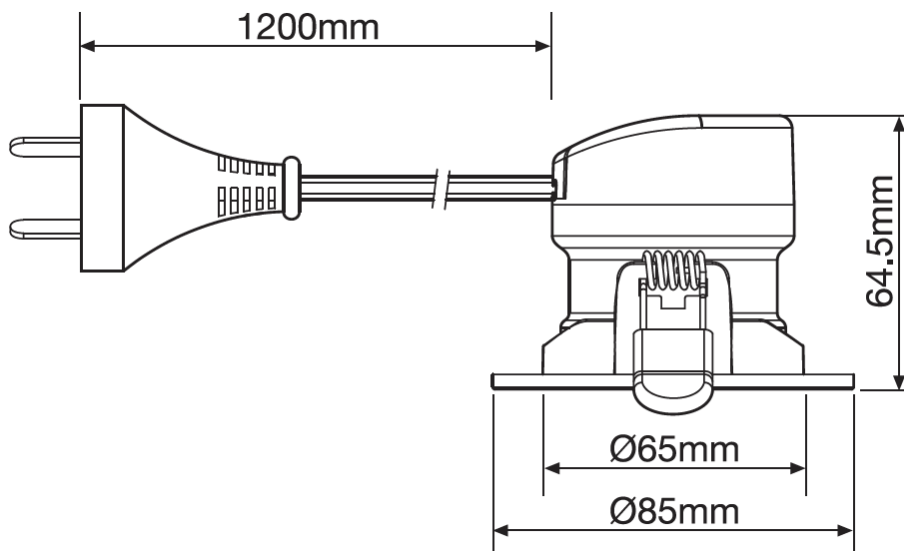
LED SUPERSTAR Gimble Downlight		7W - 70mm Cut Out	10W - 92mm Cut Out
Electrical Data	Wattage	7W	10W
	Voltage range	220 - 240VAC	
	Power factor	0.85	
	Input current (max)	40mA	60mA
	Line frequency	50Hz	
	Dimming	Yes	
	Protection class	Class II	
Optical / Photometric	Rated lumens	630	920
	CCT(K)	3000K and 4000K options	
	CRI	80	
	Lumen efficacy	90 lm/W	92 lm/W
	LED	SMD	
	Beam Angle	60°	
	Rated Lifetime	30,000 hrs @ L70 25°C	
	Operating Temp.	-20 - +45°C	
	Storage Temp.	-20 - +70°C	
Housing	Material	Thermal Plastic PA46	
	Lens	Total Internal Reflection (TIR) Polycarbonate	
	Front Ring Colour	White (RAL9003)	
	Ingress Protection	IP40	
	Driver	Integrated	
	Cut-out	70mm	92mm

Ordering Codes:

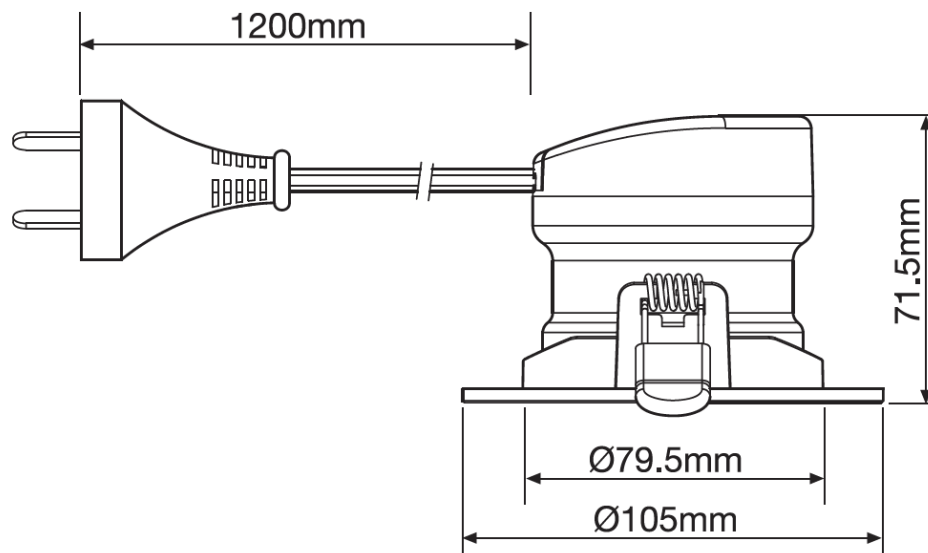
Description	Model Number on Product Label	Shipping quantity	EAN10	EAN 40
GIMBLE DLLEDPERF60X70MM 7W/830 30X1LEDVO	LDV-SSDL-7W- GMB-3K	30	4058075132399	4058075132405
GIMBLE DLLEDPERF60X70MM 7W/840 30X1LEDVO	LDV-SSDL-7W- GMB-4K	30	4058075132436	4058075132443
GIMBLE DLLEDPERF60X90MM 10W/83024X1LEDVO	LDV-SSDL-10W- GMB-3K	24	4058075132375	4058075132382
GIMBLE DLLEDPERF60X90MM 10W/84024X1LEDVO	LDV-SSDL-10W- GMB-3K	24	4058075132412	4058075132429

Drawing / Dimensions:

7W - 70mm Cut Out



10W – 92mm Cut Out



Max mm	Diameter	Height	Weight	Cut Out
LED SUPERSTAR Gimble 7w - 70mm	85	64.5	220g	70
LED SUPERSTAR Gimble 10w - 92mm	105	71.5	280g	92