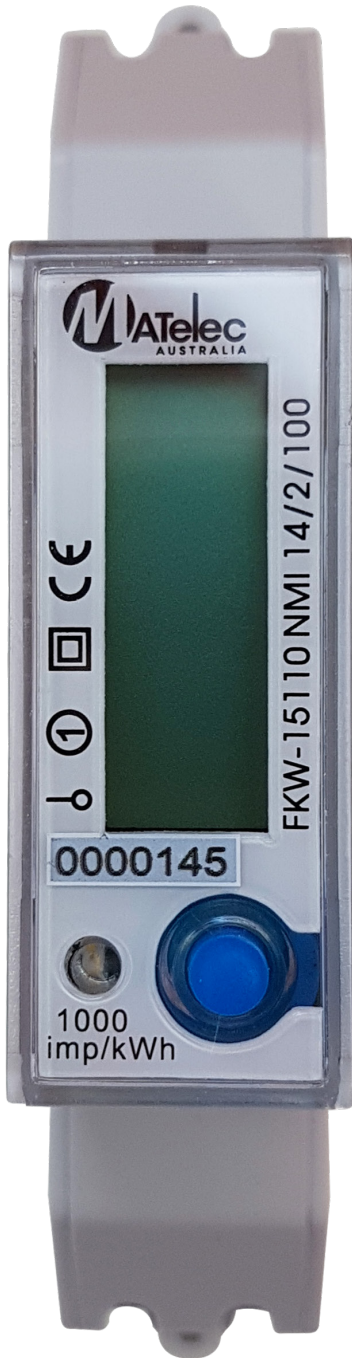


# Single Phase KWH Meter - Din Rail Mount

- User Manual for FKW-15110/NMI



## 1. Features and Technical Parameters

### 1.1 Features

- DIN RAIL standard installation size.
- Only 18mm wide, can handle up to 100A.
- Blue LCD backlight allows the meter to be read in low light conditions.
- Displays Current and Voltage.
- Reactive energy can be measured.
- Material of Meter housing: ABS fire resistant.
- Degree of Protection: IP51 (Indoor meter).

### 1.2 Technical Parameters

Voltage:	230V
Current:	0.25 – 100A
Standard:	IEC62052-11, IEC62053-21
Frequency:	50-60Hz
Impulse constant:	1000imp/kWh
Display:	LCD 5+1 = 99999.9kW
Power consumption:	≤8VA ≤0.4Wh
Starting current:	0.004Ib
Specified Operating range:	-10 ~ 65°C
Limit Range of Operation:	-20 ~ 70°C
Storage & Transportation:	-25 ~ 70°C
Flashing red:	Impulse indication, width=90ms
Average humidity value of year:	75%
Maximal value:	95%

\* Please note this product is not suitable for solar applications



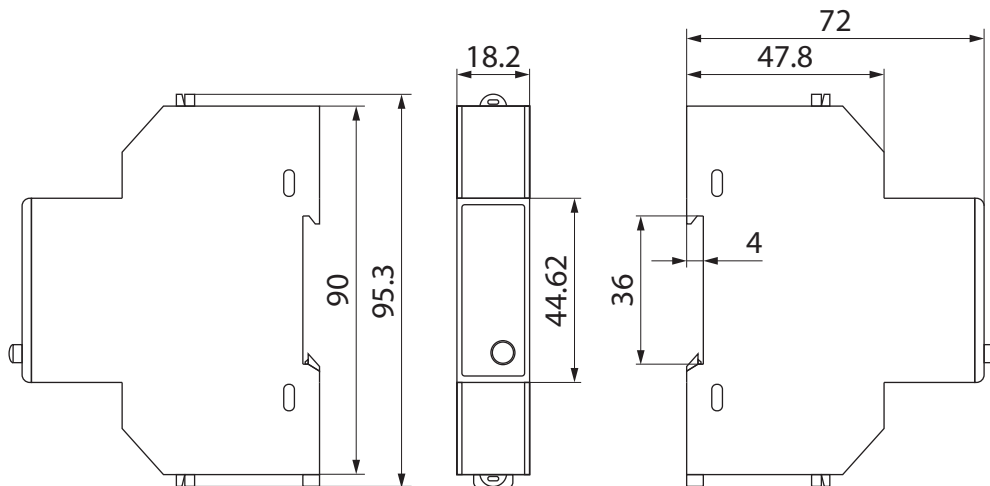
## 2. Description

- A Impulse indication
- B Turn Page Button
- C L-Out
- D L-In
- E Neutral Wire
- F LCD Display

### Materials

Case: ABS、PC、Alloy material

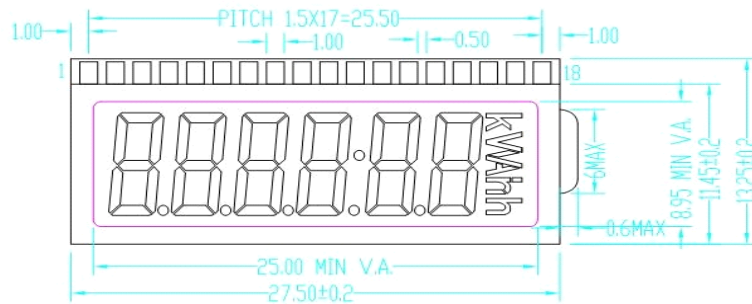
Hook: ABS material



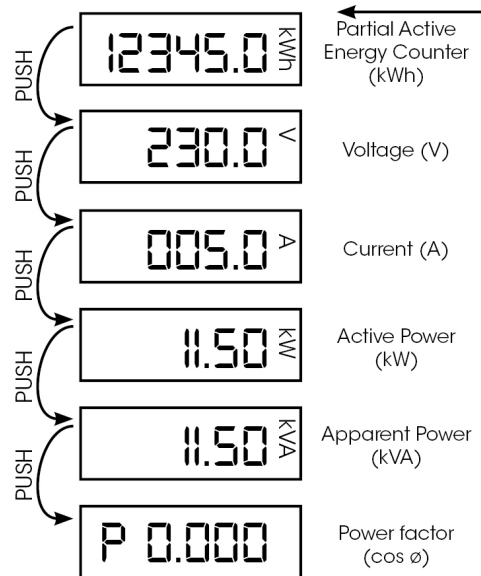
- Height 95.3mm
- Width 18.2mm
- Depth 72mm
- Weight 0.10kg(Net)

### 3. Display

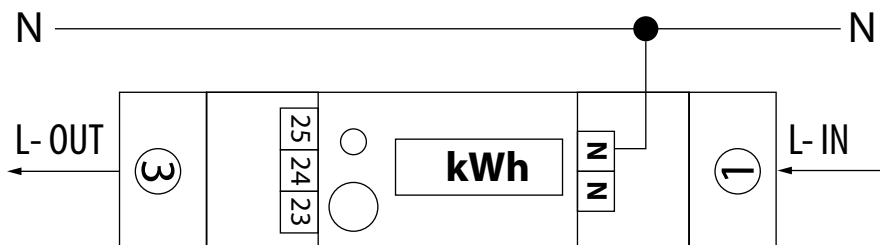
#### 3.1 Dimensions of LCD Screen



#### 3.2 Parameters show on the LCD screen



### 4. Connection Diagram



**Note:** The Neutral wire can be connected to one of N ports or both. Terminals 23,24 and 25 are not active.

## 4. Safety Instructions



### **Warning**

Means that failure to observe the instruction can result in death, serious injury or considerable material damage.



### **Caution**

Means hazard of electric shock and failure to take the necessary safety precautions will result in death, serious injury or considerable material damage.

### **Qualified personnel**

Installation and operation of this equipment described in this manual may only be performed by suitably qualified person.

### **Use for the intend purpose**

The equipment (device, module) may only be used for the application cases specified in the catalog and the user manual and only in connection with devices and components recommended and approved by MATElec Australia.

### **Exclusion of liability**

We have checked the contents of this publication and every effort has been made to ensure that the descriptions are as accurate as possible. However, deviations from the description cannot be completely ruled out, so that no liability can be accepted for any errors or omissions in the information given.

**Subject to technical modifications without notice.**

### **General Warning**

After removing the packaging make sure the integrity of the unit. If in doubt don't use the equipment and contact the supplier where the product was purchased.

Mounting of electric appliances must be carried out only by suitably qualified electricians. It is imperative to observe the generally applicable safety measures.

In case of failure and /or malfunctioning of the device, turn off it. For any repair please contact the supplier where the product was purchased. Failure to comply with the above may compromise the device safety.

### **Warranty**

The manufacturer will repair or exchange the products where the lead seal is still intact, within 12 months, If the product is found to have a manufacturing defect.

### **Technical support**

For any problems of our products please contact:

8 Telford Drive  
Shepparton 3630  
VICTORIA, AUSTRALIA  
[www.matelecaustralia.com.au](http://www.matelecaustralia.com.au)

**Distributed by:**  
Reduction Revolution Pty Ltd  
[www.reductionrevolution.com.au](http://www.reductionrevolution.com.au)