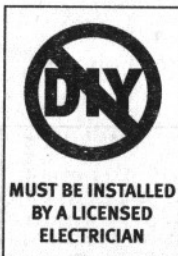


## WARNINGS:

- If the external flexible cable or cord of this luminaire is damaged, it shall be exclusively replaced by the manufacturer or his service agent or a similar qualified person in order to avoid a hazard.
- This product must be installed by a licensed electrician strictly in accordance with the current revision of AS/NZS 3000 - Electrical Installations (Australian/New Zealand Wiring Rules).
- Avoid touching the LEDs.
- Please do not attempt to disassemble or change the construction of the luminaire or replace any of the parts to avoid the possibility of injury or product failure.
- Please keep this manual for future reference.
- This product is designed for indoor use only.
- This luminaire is designed for ceiling recessed installation only (other mounting options available with panel accessories).
- The light source contained in this luminaire shall only be replaced by the manufacturer or service agent or a similar qualified person.
- Please note that the fixture is equipped with standard surge protection only. To protect the fixture from sags, surges, and lightning strikes, additional surge protectors must be deployed on the primary side.



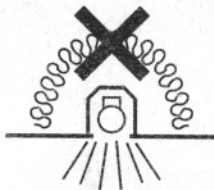
## WARRANTY AGAINST DEFECTS:

Your LED VALUE TRI CCT DUAL WATTAGE PANEL fitting from LEDVANCE comes with a product warranty ("Warranty") for quality assurance, the terms and conditions of which are set out in this document. The Warranty applies exclusively to LED Light Fittings from LEDVANCE purchased within Australia and New Zealand for normal domestic or commercial use. The Warranty is offered to you by:

LEDVANCE Pty Ltd  
Suite 2.1A, 394 Lane Cove Road  
Macquarie Park NSW 2113  
Phone contact: 1300 467 726  
Email address: technical.au@ledvance.com

**IMPORTANT: Our goods come with guarantees that cannot be excluded under the Australian Consumer Law. You are entitled to a replacement or refund for a major failure and compensation for any other reasonably foreseeable loss or damage. You are also entitled to have the goods repaired or replaced if the goods fail to be of acceptable quality and the failure does not amount to a major failure.**

LEDVANCE Pty Ltd  
ABN 34 050 103 181  
Suite 2.1A  
394 Lane Cove Road  
Macquarie Park NSW 2113  
Australia  
Ph +61 29481 8399  
www.ledvance.com.au

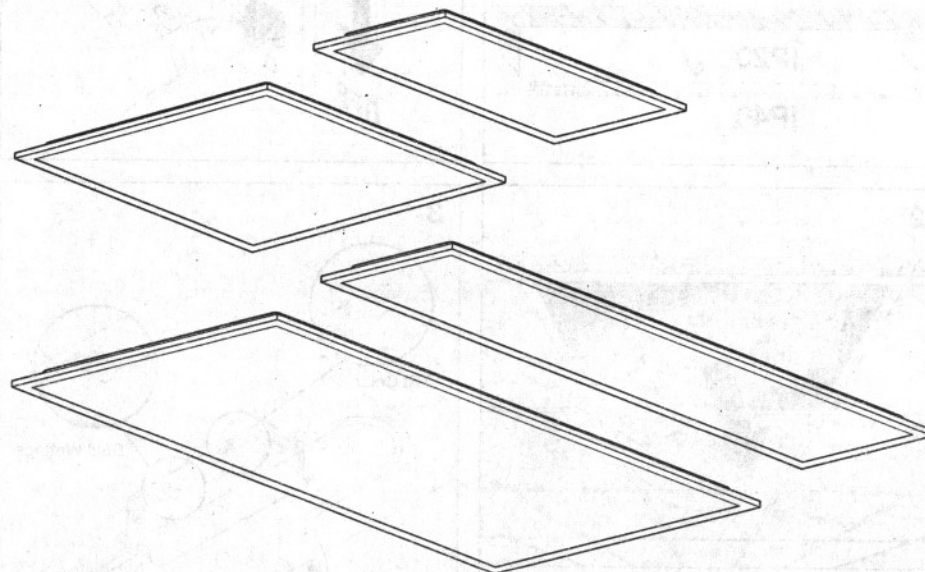


C10449057  
G11128994  
2021-09-24

www.ledvance.com.au

# LED VALUE WATTAGE SWITCH TRI CCT PANEL

0306/0606/0312/0612

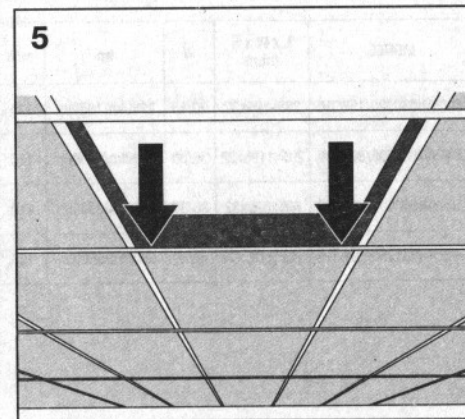
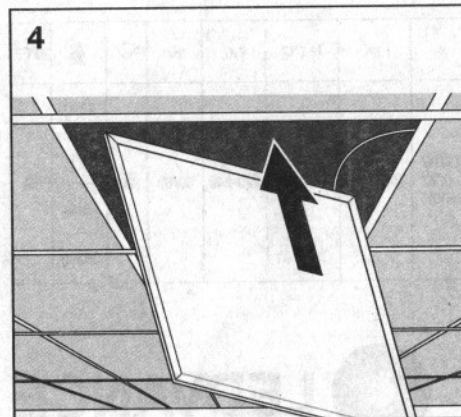
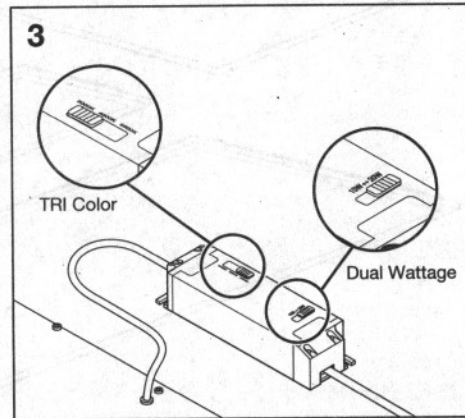
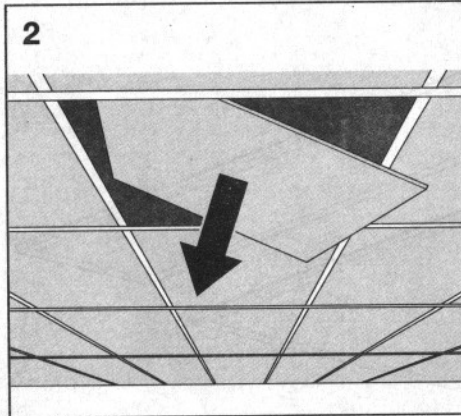
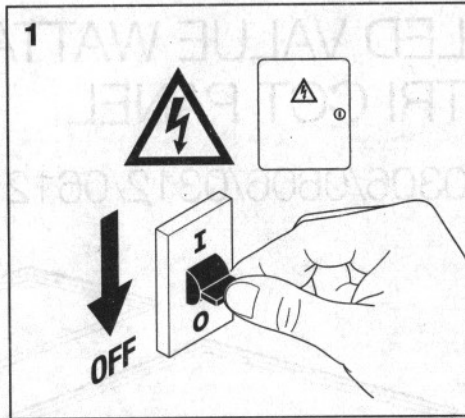
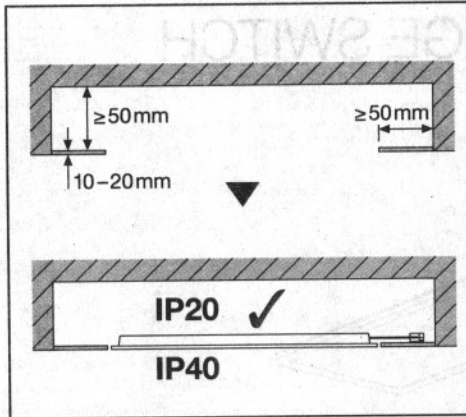


MODEL	L x W x H (mm)	W	lm	lm/W	K	IP	Ta (°C)	V <sub>AC</sub>	Hz	◊	⊿	PF
LDVPAN030620/15WTRI	295x595x32	20/15	2200lm/1650lm	110	3000K/ 4000K/ 6500K	IP40/IP20	-10~50°C	220-240	50/60	120°	980g	0.9
LDVPAN031236/30WTRI	295x1195x32	36/30	3960lm/3300lm	110								
LDVPAN060636/30WTRI	595x595x32	36/30	3960lm/3300lm	110								
LDVPAN061260/50WTRI	595x1195x32	60/50	6600lm/5500lm	110								

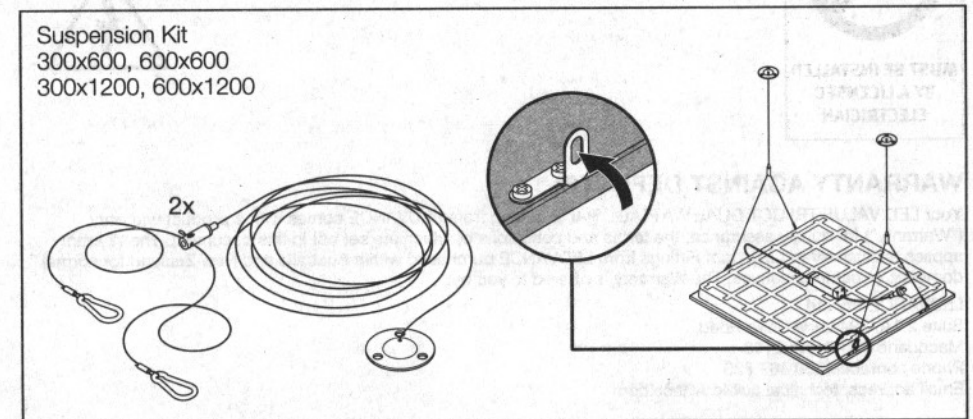
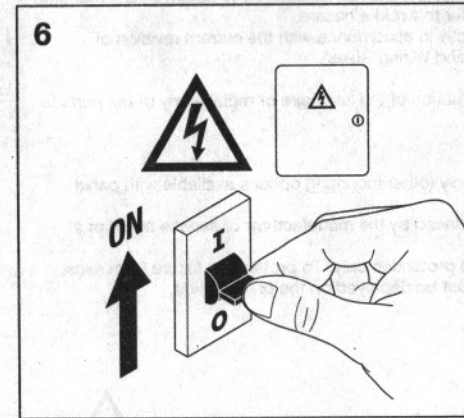
**Distributed by:**  
Reduction Revolution Pty Ltd  
[www.reductionrevolution.com.au/LED](http://www.reductionrevolution.com.au/LED)



LED VALUE WATTAGE SWITCH TRI CCT PANEL



LED VALUE WATTAGE SWITCH TRI CCT PANEL



**Distributed by:**

Reduction Revolution Pty Ltd

[www.reductionrevolution.com.au/LED](http://www.reductionrevolution.com.au/LED)