

LEDVALUE TRI COLOUR OYSTER LIGHT

WARNINGS:

- This product must be installed by a licensed electrician strictly in accordance with the current revision of AS/NZS 3000 - Electrical Installations (Australian/New Zealand Wiring Rules).
- Avoid touching the LEDs.
- Please do not attempt to disassemble or change the construction of the luminaire or replace any of the parts to avoid the possibility of injury or product failure.
- Please keep this manual for future reference.
- This product is designed for indoor use only. It is not intended for installation in wet areas or where the location is exposed to the elements.
- The light source contained in this luminaire shall only be replaced by the manufacturer or service agent or a similar qualified person.
- Please note that the fixture is equipped with standard surge protection only. To protect the fixture from sags, surges, and lightning strikes, additional surge protectors must be deployed on the primary side.



Caution

Risk of electric shock



**MUST BE INSTALLED
BY A LICENSED
ELECTRICIAN**

WARRANTY AGAINST DEFECTS:

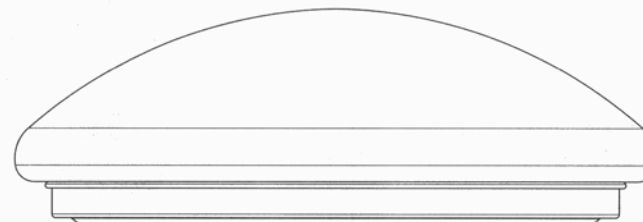
Your LEDVALUE TRI COLOUR OYSTER LIGHT fitting from LEDVANCE comes with a product warranty ("Warranty") for quality assurance, the terms and conditions of which are set out in this document. The Warranty applies exclusively to LED Light Fittings from LEDVANCE purchased within Australia.

The Warranty is offered to you by:

LEDVANCE Pty Ltd
Suite 2, 21A, 394 Lane Cove Road
Macquarie Park NSW 2113
Phone contact: 1300 467 726
Email address: technical.au@ledvance.com

IMPORTANT: Our goods come with guarantees that cannot be excluded under the Australian Consumer Law. You are entitled to a replacement or refund for a major failure and compensation for any other reasonably foreseeable loss or damage. You are also entitled to have the goods repaired or replaced if the goods fail to be of acceptable quality and the failure does not amount to a major failure.

LEDVALUE TRI COLOUR OYSTER LIGHT



Distributed by:

Reduction Revolution Pty Ltd

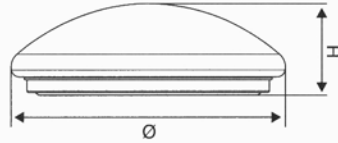
www.reductionrevolution.com.au/LED



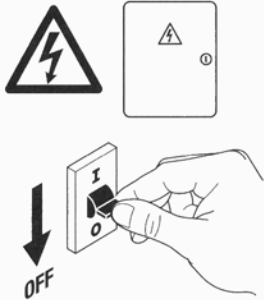
LEDVALUE TRI COLOUR OYSTER LIGHT

LEDVALUE Tri Colour Oyster Light	Voltage	Hz	Weight	Ø (mm)	H (mm)	Number of Fixing Screws	Protection
13W	220-240	50/60	330g	250	88	3 sets	Class I
15W	220-240	50/60	400g	300	105	3 sets	Class I
18W	220-240	50/60	530g	350	110	3 sets	Class I
24W	220-240	50/60	700g	400	120	3 sets	Class I

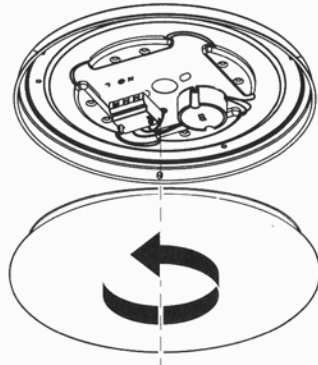
Surge voltage capability: 1000V (L-N); pulse acc. EN61547



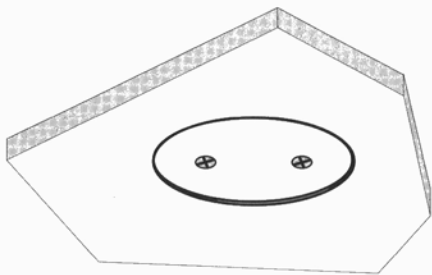
1. Disconnect mains power before installation.



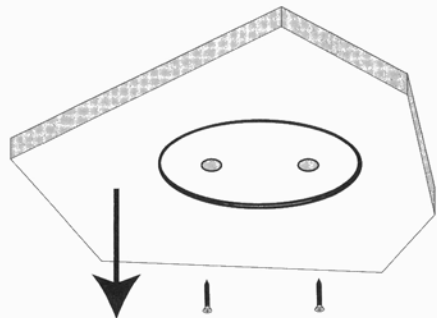
2. Rotate the cover then lift it off.



3. Find the location of the mounting hole.

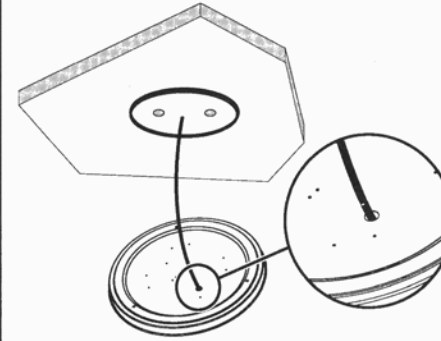


4. Use a screwdriver to remove the screw

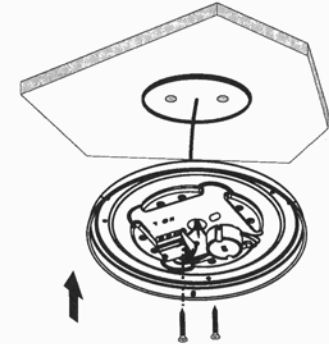


LEDVALUE TRI COLOUR OYSTER LIGHT

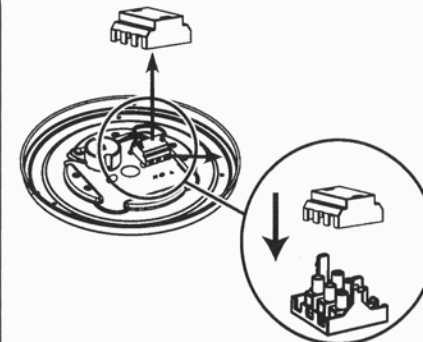
5. Insert power supply cable into the fixture pan through sheathed wire cable hole.



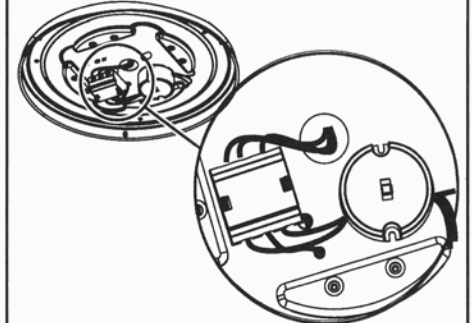
6. Fix the pan on the ceiling with screws.



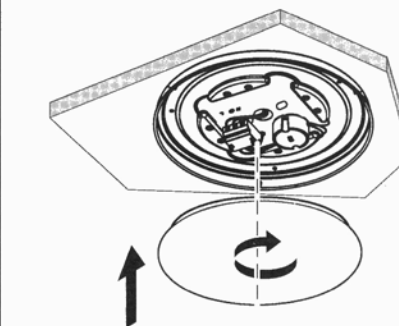
7. Secure the Neutral, Earth and Live input wires in the terminal block.



8. Select desired colour temperature with slide switch before installation: 3000K / 4000K / 5000K.



9. Twist the fixture cover clockwise.



10. Turn the power switch back on to verify that the product is working properly.

