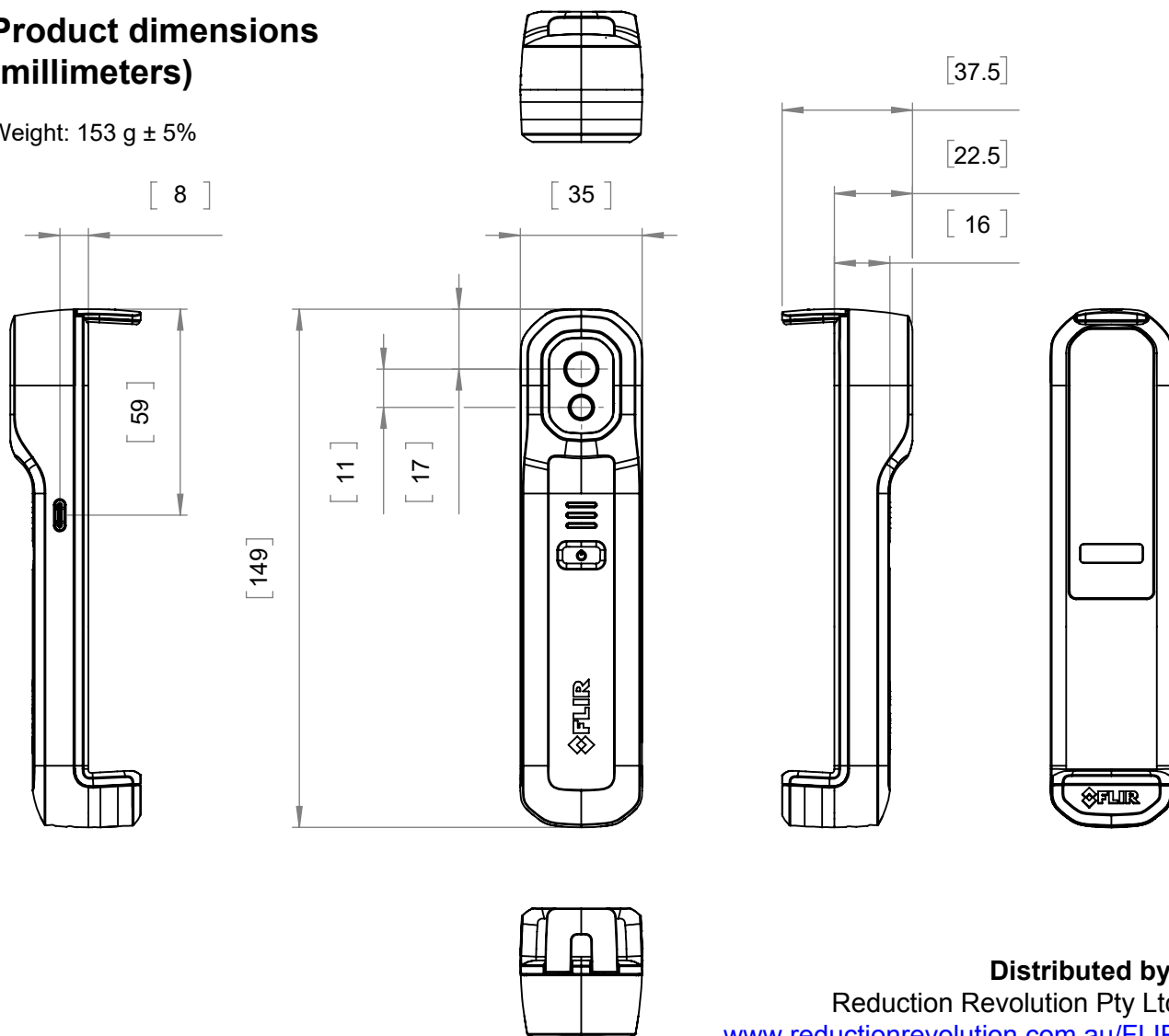


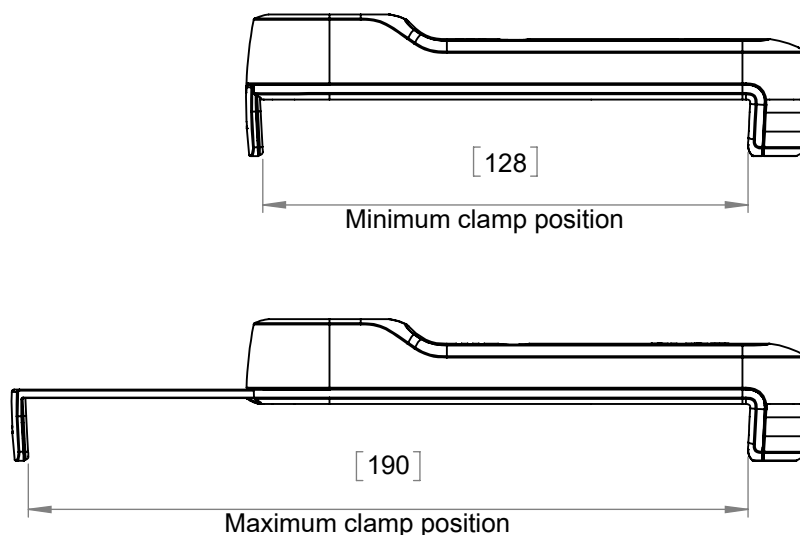
Product dimensions (millimeters)

Weight: 153 g ± 5%



Distributed by:
Reduction Revolution Pty Ltd
www.reductionrevolution.com.au/FLIR

Clamping dimensions (millimeters)



© 2022, FLIR Systems, Inc. All rights reserved worldwide. No part of this drawing may be reproduced, stored in a retrieval system, or transmitted in any form, or by any means, electronic, mechanical, photocopying, recording, or otherwise, without written permission from FLIR Systems, Inc. Specifications subject to change without further notice. Dimensional data is based on nominal values. Products may be subject to regional market considerations. License procedures may apply. Product may be subject to US Export Regulations. Please refer to exportquestions@flir.com with any questions. Diversion contrary to US law is prohibited.

Modified 2022-10-21	Check JOTA	Drawn by R&D Instruments
------------------------	---------------	-----------------------------

Denomination

FLIR ONE Edge basic dimension

Size
A4

Scale
1:2

Drawing No.
T131336

FLIR

Sheet
1(1)

Rev
A