



Getting started FLIR Ex series

Distributed by:

Reduction Revolution Pty Ltd

www.reductionrevolution.com.au/FLIR



1 Illustrations

Note Explanations are provided in each language section.

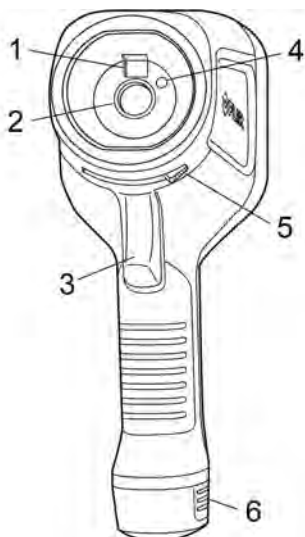


Figure 1.1 View from the front



Figure 1.2 View from the rear

2 EN-US English

2.1 Safety information

Before operating the camera, you must read, understand, and follow the warnings, cautions, and notes in the user's manual, chapter *Safety information*.

The user's manual is available online, see section 2.3 *Online documentation*.

2.2 List of contents

- Infrared camera with battery
- Extra battery¹
- Battery charger¹
- Power supply
- USB cable
- Printed documentation
- Hard transport case

2.3 Online documentation

Our manuals are continuously updated and published online.

To access the FLIR Ex series user's manual and other product documentation, go to <https://support.flir.com/resources/2758>.



2.4 Notice to user

- Register your product within 60 days to get extended warranty: <https://support.flir.com/camreg>.
- FLIR Systems provides freeware and licensed software for image editing, video processing, thermal analysis, and reporting. Download at <https://www.flir.com/support>.
- For training and certification courses, go to <https://www.flir.com/support-center/training>.
- Contact our Technical Support Center if you experience problems or have any questions about your product: <https://support.flir.com>.

1. The inclusion of this item is dependent on model.

2.5 Declaration of conformity

The full text of the Declaration of conformity is available at the following internet address: <https://support.flir.com/resources/2758>.

2.6 Camera parts

See section 1 *Illustrations*, page 1.

2.6.1 View from the front

1. Digital camera
2. Infrared lens
3. Trigger to save an image
4. Camera lamp
5. Lever to open and close the lens cap
6. Battery

2.6.2 View from the rear

1. Touch screen
2. Archive button
3. Navigation pad
4. Back button
5. On/Off button

2.7 Quick start guide

1. Charge the battery.
2. Push the battery into the camera battery compartment.
3. Push the On/Off button to power on the camera.
4. Follow the instructions on the camera screen to set up the camera according to your preferences.

You can also set up the camera to upload images for storage online. To enable upload of images, you need to connect the camera to the internet and pair the camera with a FLIR Ignite account. Use a computer or other device with internet access and follow the instructions on the camera screen.

Note You can select the settings as a part of the initial setup of the camera or later at any time via the *Settings* menu.

5. To measure a temperature, aim the camera toward the object. Make sure the spotmeter is on the point of interest. The spotmeter temperature is displayed on the screen.

6. To save an image, pull the trigger.

2.8 Disposal of electronic waste

This product should not be discarded as unsorted waste but must be sent to separate collection facilities for recovery and recycling.





Website

<http://www.flir.com>

Customer support

<http://support.flir.com>

Copyright

© 2023, FLIR Systems, Inc. All rights reserved worldwide.

Disclaimer

Specifications subject to change without further notice. Models and accessories subject to regional market considerations. License procedures may apply. Products described herein may be subject to US Export Regulations. Please refer to exportquestions@flir.com with any questions.

Distributed by:

Reduction Revolution Pty Ltd

www.reductionrevolution.com.au/FLIR

Publ. No.: T810623
Release: AA
Commit: 92002
Head: 92002
Language: mul
Modified: 2023-05-22
Formatted: 2023-05-22



T810623