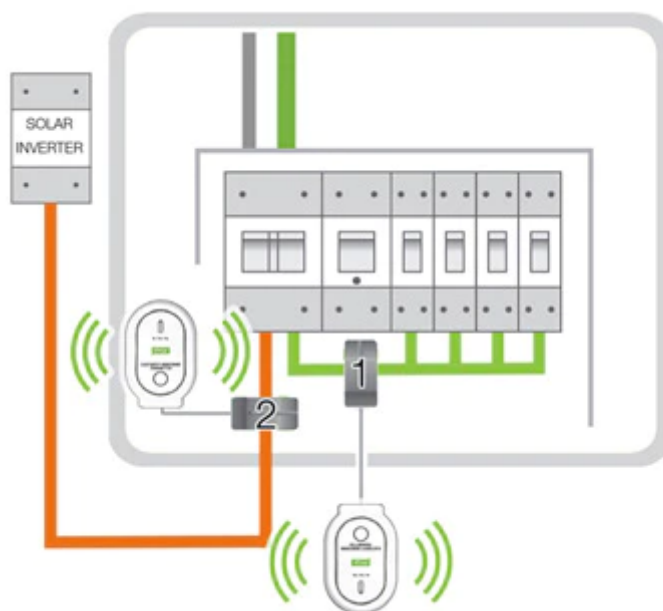


Efergy E-Max Installation Guide With Solar

The following guide is for properties with solar panels installed who would like to use the [Efergy E-Max](#) to monitor their energy usage.

The Efergy E-Max current sensor clamps only detect the amount of current flowing through a cable, not the direction of this power flow. As such, the sensors must be installed on the 'load side' of the switchboard. This way, each transmitter exclusively monitors either power consumption or solar production. This principle is depicted below in a simplified diagram.



Using One Efergy E-Max Kit

With the above principle in mind, you can use one Efergy E-Max kit to monitor **either**:

- Total electricity consumption - position '1' in the above graphic, or
- Total solar power production - position '2' in the above graphic

Using Two Efergy E-Max Kits

If you purchase two Efergy E-Max kits, you can track **both** energy usage and solar power production.

See all of our energy monitoring options here: <https://reductionrevolution.com.au/monitor>