

Installation Guide



RoHS
COMPLIANT

Phase Adaptive Dimmer

Part No. MEDM

Designed in Australia to provide optimised dimming of LED based lamps and drivers, this high quality, two-wire phase control wall plate dimmer has a minimum load rating of 2W.

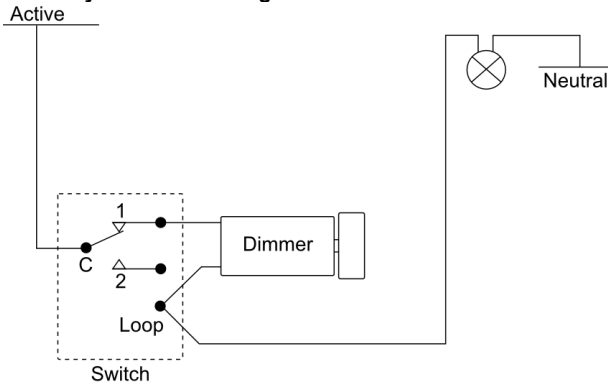
Although optimised for LED lighting loads, the dimmer also provides excellent compatibility with other common lamps types such as incandescent lamps, 12V halogen (dichroic) lamps/transformers and dimmable CFL's.

- Fits Australian wall switch plate apertures (Sylvania Trader, plus HPM and Clipsal ranges)
- Separately switched 2-wire design - no neutral wire connection required
- Rotary control with mechanical adjustment for minimum brightness level (Minimum brightness typical 0%)
- 'On' LED indicator
- Soft-start for lamp and driver life
- Thermal wind-back for overload and over-temperature protection
- Protected against damage from incompatible inductive loads (ie, motor loads)
- Includes filtering to reduce load brightness variation under conditions of line voltage ripple signal injection
- Incorporates a thermal fuse
- Stable operation with most CFL non-dimmable lamps (to a limited dimming level, lamp dependent)
- Inherent immunity to installation wiring short circuit fault

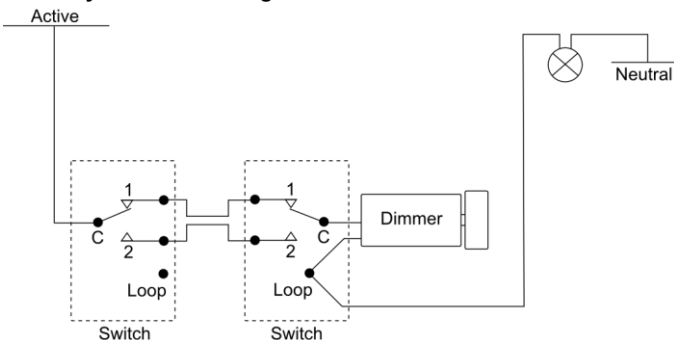


Connecting this product must be carried out by a suitably qualified installer who must work in accordance with standard safety procedures for mains-powered electrical equipment.

One-Way Connection Diagram



Two-Way Connection Diagram



Note

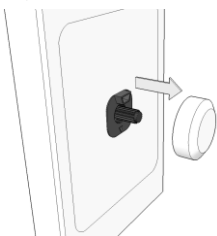
- The two dimmer connections are not polarity sensitive
- More than one dimmer cannot be connected to the same load
- In vertical grid-plate installations the dimmer should be installed in a position lower than the associated separate switch
- In vertical grid-plate installations the dimmer mechanism should be oriented in grid-plate such that LED indicator faces the associated switch

Setting the minimum dimming level

The dimmer includes a feature which allows the minimum dimming level to be set. To achieve this, install the dimmer and connect the required lighting loads, as described on the previous page, then follow the following steps

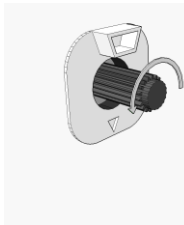
Step 1

Leave the dimmer connected, but remove the dimming knob from the dimming shaft



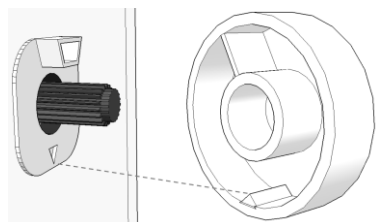
Step 2

Turn the dimmer shaft anti-clockwise until the required minimum brightness level is reached



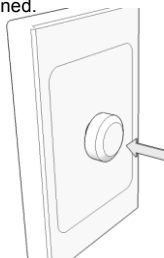
Step 3

Align the triangular marker on the front face of the dimmer with the triangular marker on the inside of the dimmer knob



Step 4

Push the dimmer knob back onto the shaft such that the triangular markers remain aligned.



The minimum dimming level is now set

Specifications

Nominal Line Voltage Amplitude Range	220-240Vac
Line Voltage Frequency	50Hz Nominal (47 - 53Hz)
Load Brightness Control Range	< 1% to > 95% (load dependent)
Rated Load	Refer Compatible Loads
Minimum Load	2W

Compatible Load types

Load Symbol	Load Type	Maximum Load	Notes
	Dimmable LED Drivers	400W	Maximum permitted number of drivers is 400W divided by driver nameplate power rating.
	Dimmable LED Lamps	400W	Due to variety of LED lamp designs, maximum number of LED lamps is further dependent on power-factor result when connected to dimmer.
	Electronic Transformers	400W	
	Standard iron-core transformers	250W	Due to variety of transformer designs, max LV lighting load is further dependent on transformer efficiency
	Toroidal iron-core transformers	300W	
	Incandescent	350W	
	Dimmable CFLs	400W	Due to the variety of CFL designs, the maximum number of dimmable CFL lamps is make/model dependent

Incompatible Load Type

Ceiling Sweep Fan motors

Product of Dignet Control Systems Pty Ltd

ABN - 89 095 788 864

Order online from Reduction Revolution Pty Ltd: www.reductionrevolution.com.au

Technical Support: 1300 95 3244 or support@dignet.net.au

A member of the Gerard Lighting Group