

Philips and the Philips shield emblem are registered trademarks of Koninklijke Philips N.V.



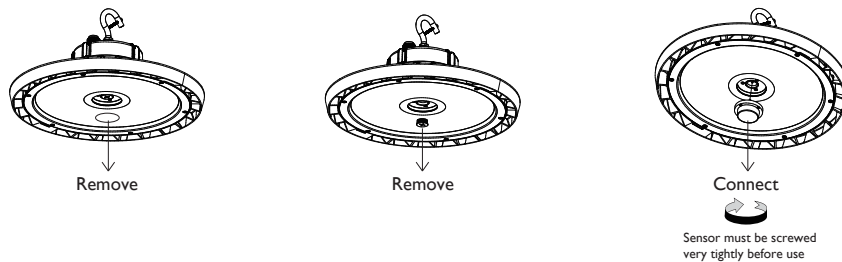
12NC	Description	Power supply	Dim control output	Transmission power	Detection radius	Mounting height	Temperature	IP rating
911401892082	BY240Z Highbay Sensor	12V-24V DC >50mA	0-10V,max 25mA sinking current	< 0.2mW	20%/50%/75%/ 100%(1-8m)	Max 40ft. (12meters)	-30°C~45°C	IP65

### Dimensions



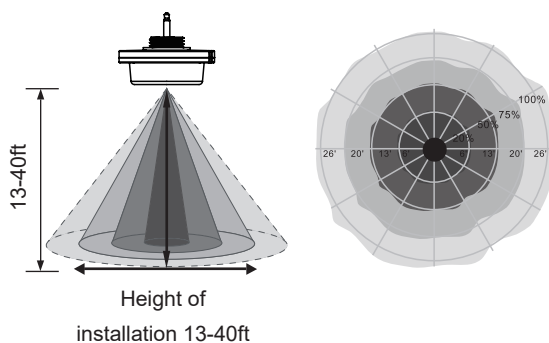
Unit: mm

### Installation



### Sensor Default Setting

Brightness	100%	Daylight sensor	Disabled
Sensitivity	100%	Stand-by Dim	30%
Hold Time	5min	Stand-by period	60min



Height	Rang Radius			
	Sensitivity 100%	Sensitivity 75%	Sensitivity 50%	Sensitivity 20%
12m	6	4	0	0
10m	7	5	2	0
8m	8	6	4	2

Note: The above data was obtained by the 1.7m tall tester walking at 0.8M/S in an open environment. Different environments, different walking speeds. There will be deviations in the data.

## **WARNING**

- Installation must be carried out by a licenced electrician and in accordance with these instructions and relevant Australian and New Zealand standards and local regulations.
- Ensure input voltage conforms within product specifications.
- Ensure wires are securely connected.
- Before switching on, ensure all wires are correctly connected.
- The warranty is void if product is not installed according to the instructions.
- The installation distance, both transverse and longitudinal, should be greater than 3m. If the installation distance is too close, individual lamps may be misfit.
- Installation location shall be away from WIFI, omnidirectional antennas for mobile communications, small base stations for telecommunications, TV antennas, etc. Signal source too close may disable the dimming function.
- The luminaire should not be installed on vibrating surfaces, otherwise the sensor is easy to be triggered by mistake.
- The dimming function of luminaire might be effected by the objects with vibration in its sensing area.
- The product has good penetration effect on plastic and wood. Avoid metal shielding around the antenna, which will reflect and block microwave and affect the actual induction effect;
- Walls, glass and ceramics will bring reflection and penetration attenuation of electromagnetic waves, and reduce the sensing distance of the sensor. The thicker the material, the more severe the attenuation will be.
- The movement of animals and objects within the sensing range may cause the light to turn on, which is a normal phenomenon.
- The electromagnetic wave emitted by microwave sensor in the practical application environment, the different reflectivity of obstacles will lead to different induction range, which is a normal phenomenon.
- The light sensitivity threshold is in a sunny environment, no shadow and ambient light diffuse reflection.. Ambient lux level could be different in different environment, weather, climate, time-of-day and season.
- The parameters of the sensor may need to be reconfigured in different installation environments. Please refer to the following instructions or contact the manufacturer.
- Sensing distance will be affected by the installation height of the sensor, the size of the object to be detected, the speed of movement, the installation environment

Note: Warm up time is 15 seconds. After the sensor connects input power first time, the light will keep on for 15 seconds, then go to dimming to work normally.

Note: Factory Default Setting: 100% sensitivity, Dimming level: 30%, Dimming time: 60 minutes.

Note: Any setting changed by remote control, the led light that sensor connect will on/off as confirm.