

AS/NZS  
60598

IP20

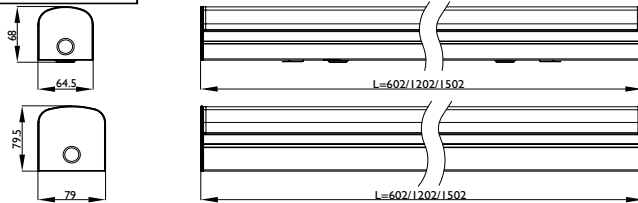
$t_a 25^\circ\text{C}$



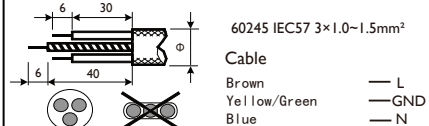
Product Type	Dimension (mm)	CCT (K)	Lumen Output (lm)	Power (W)	Voltage	Frequency	kg
BNI31C LED SWT/SCCT L600 PSU Slim	602x64.5x68	4000K/5000/6500K	1000/2000	9W/18W	220-240V~	50/60Hz	0.6
BNI31C LED SWT/SCCT L1200 PSU Slim	1202x64.5x68	4000K/5000/6500K	2000/4100	17W/35W			1.07
BNI31C LED SWT/SCCT L1500 PSU Slim	1502x64.5x68	4000K/5000/6500K	3000/6000	26W/52W			1.33
BNI32C LED SWT/SCCT L600 PSU Wide	602x79x79.5	4000K/5000/6500K	1000/2000	9W/18W			0.735
BNI32C LED SWT/SCCT L1200 PSU Wide	1202x79x79.5	4000K/5000/6500K	2000/4100	17W/35W			1.32
BNI32C LED SWT/SCCT L1500 PSU Wide	1502x79x79.5	4000K/5000/6500K	3000/6000	26W/52W			1.625

#### 1. Luminaire dimension

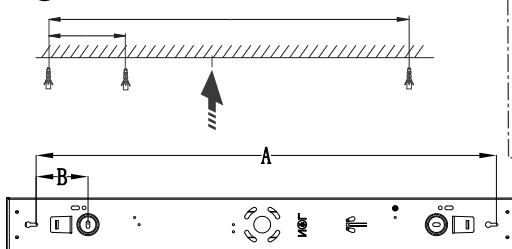
Unit: mm



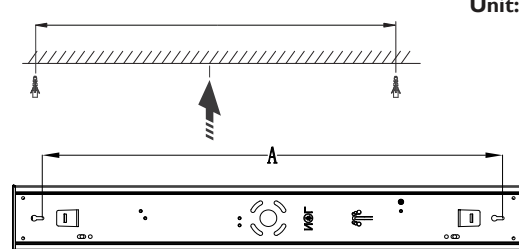
#### 2. Supply Cord



#### A (L600/1200/1500:A/B: Mounting distance)



#### B (L600/1200/1500:A: Mounting distance)



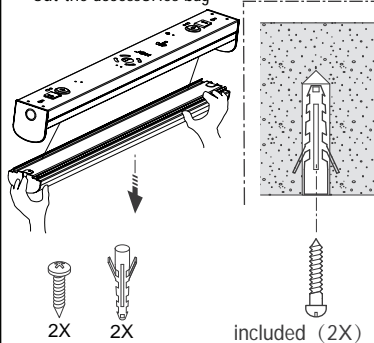
#### 3. Surface Mounting

Unit: mm

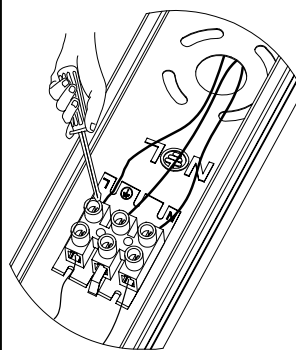
	A (mm)	B (mm)
BNI31C LED SWT/SCCT L600 PSU Slim	541.5	61
BNI31C LED SWT/SCCT L1200 PSU Slim	1069.5	90
BNI31C LED SWT/SCCT L1500 PSU Slim	1369.5	90

	A (mm)
BNI32C LED SWT/SCCT L600 PSU Wide	541.5
BNI32C LED SWT/SCCT L1200 PSU Wide	1069.5
BNI32C LED SWT/SCCT L1500 PSU Wide	1369.5

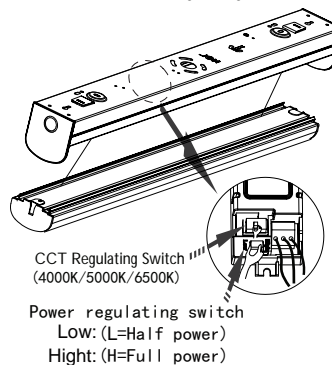
#### 4. Open the luminaire and take out the accessories bag



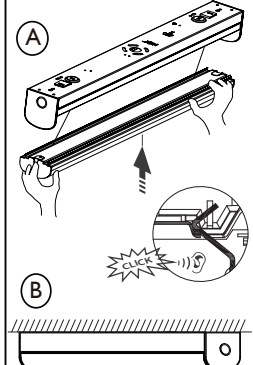
#### 5. Power supply Connection



#### 6. CCT and Power regulating switch



#### 7. Close the luminaire



Please read this manual carefully before using the product.

- For indoor use only.
- Do not switch on before complete installation.
- The luminaire must be installed by a licensed electrician and wired in accordance with Australian wiring rules.
- The light source of this luminaire is not replaceable; when the light source reaches its end of life the whole luminaire shall be replaced.
- The luminaire is complied with AS/NZS 60598.
- Luminaire must not be used or stored in corrosive environment where hazardous materials such as Sulphur, Chlorine, phthalates,
- Water entering into IP20 luminaire is strictly prohibited. IP20 luminaire is not protected against wet condition, water ingress may cause electrical failure or unsafe conditions. etc, are present.



This marking indicates that this product should not be disposed with other household wastes throughout the AU. To prevent possible harm to the environment or human health from uncontrolled waste disposal, recycle it responsibly to promote the sustainable reuse of material resources. To return your used device, please use the return and collection systems or contact the retailer where the product was purchased. They can take this product for environmental safe recycling.