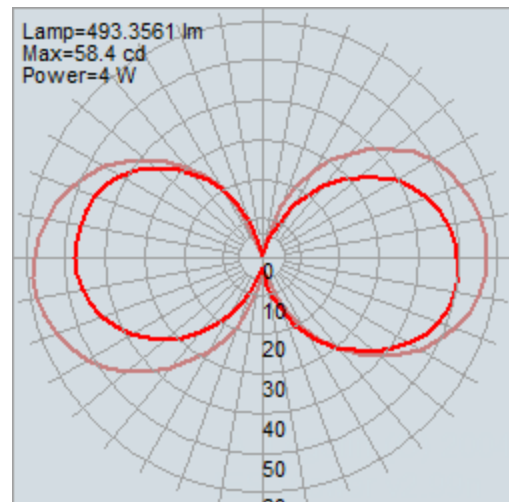
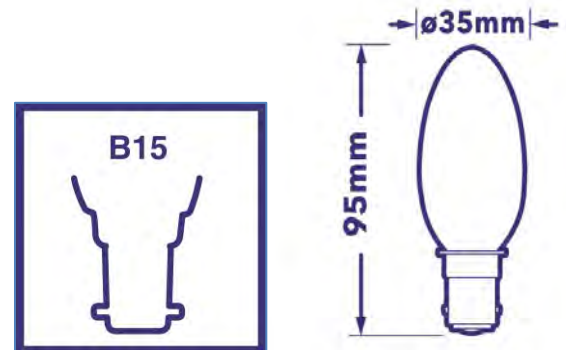


- Filament type LED, resembles incandescent lamp
- Triac dimmable
- 470lm
- Lifetime of 15,000 hrs
- 2700K CCT warm-white
- 330° beam angle
- Replacement for 40 W high voltage incandescent (according to ErP standard)
- 88% energy saving



Order Code	65609
<b>General Data</b>	
Lamp Socket	B15d
Design	Clear Dome Candle
<b>Geometric Data</b>	
Length (mm)	95mm
Diameter (mm)	35mm
Weight (g)	15g
<b>Electric Data</b>	
Wattage	5W
Voltage	220-240 V AC
Power Factor	≥0.85
Operating Frequency	50/60 Hz
<b>Photometric Data</b>	
Total Luminous Flux (lm)	470lm
90° cone Luminous Flux (lm)	N/A
CRI	≥80
CCT	2700 K – Warm White
Luminous Intensity (cd)	50
Beam Angle (°)	330°
Lifetime	15,000 hrs
<b>Equivalent to (W)</b>	40W



Distributed by: **Reduction Revolution Pty Ltd**  
Order Online at [www.reductionrevolution.com.au/LED](http://www.reductionrevolution.com.au/LED)



**Order Code**

65609

**Product Description**

Filament LED clear dome candle B15d 5W 2700K 470lm dimmable

**Technical Packaging Details**

Giftbox Barcode	6943760256093
Inner Carton Barcode	16943760256090
Outer Carton Barcode	26943760256097
Pack Dimensions (HxWxL)	39 mm x 39 mm x 110 mm
Pack Weight	45g
Carton Qty (Shipping Unit)	12
Carton Dimensions (HxWxL)	165 mm x 125 mm x 120 mm
Cartons/Layer	53
Layers/Pallet	7
Units/Pallet	4452

Distributed by: **Reduction Revolution Pty Ltd**  
Order Online at [www.reductionrevolution.com.au/LED](http://www.reductionrevolution.com.au/LED)