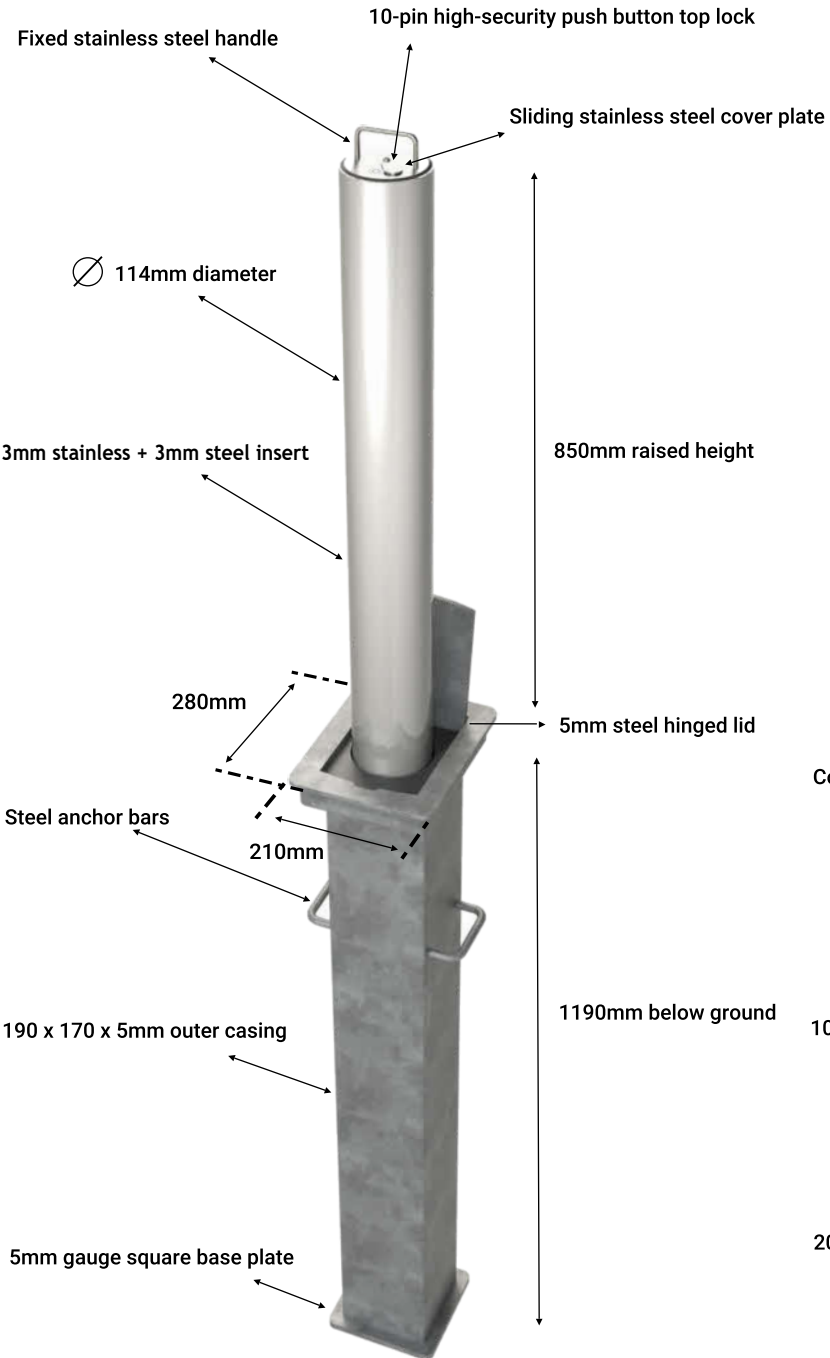
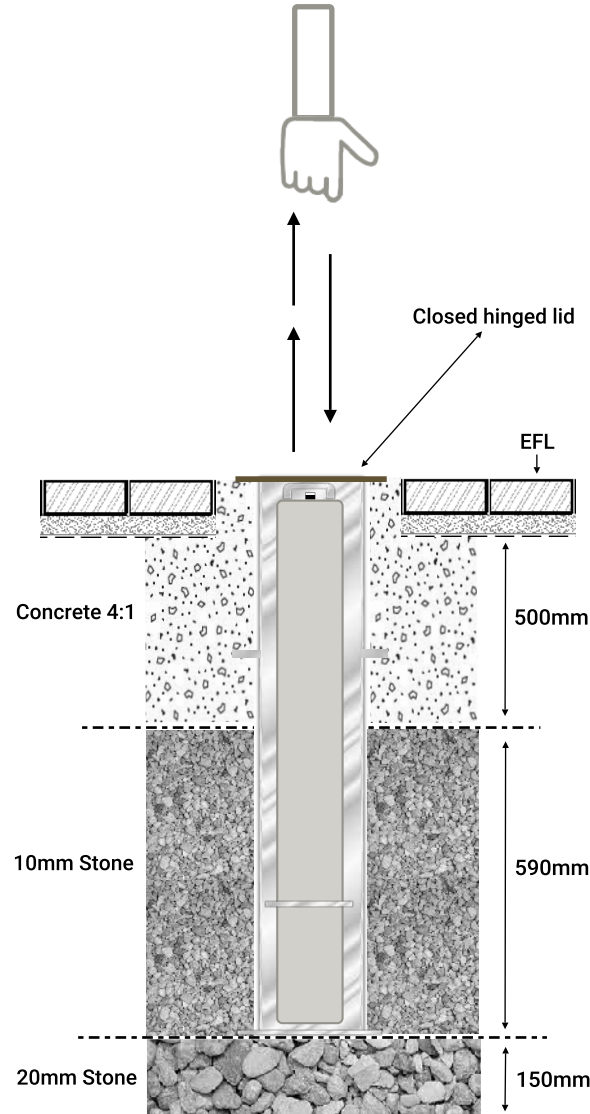


SS14/HD - SPECIFICATION



17kg Lifting Weight

Lower slowly - DO NOT DROP!



Profile: Round Stainless Steel Telescopic Bollard

Diameter: 114mm

Raised Height: 850mm

Lifting Weight: 17kg

Inner Bollard: 3mm stainless + 3mm steel insert

Outer Casing: 1190 x 170 x 5mm

Lock: 10-pin high security push button top lock

Lock Cover: Sliding stainless steel cover plate

Handle: Fixed stainless steel

Hinged Lid: 5mm heavy duty galvanised steel

Finish: 316 Grade Stainless Steel

Guarantee: 1 Year

Serviceable components: All moving parts

Manufacture: RAM - Group UK

Mild steel: Manufactured to BS1440

Galvanising: BS EN ISO 1461 (2009) Hot-dipped



Drawing not to scale

Security Bollards Direct
The Old Court House
Orsett Road
Grays
Essex
RM17 5DD

Tel: 01375 842223 | 0800 4488652

Web: www.securitybollardsdirect.co.uk