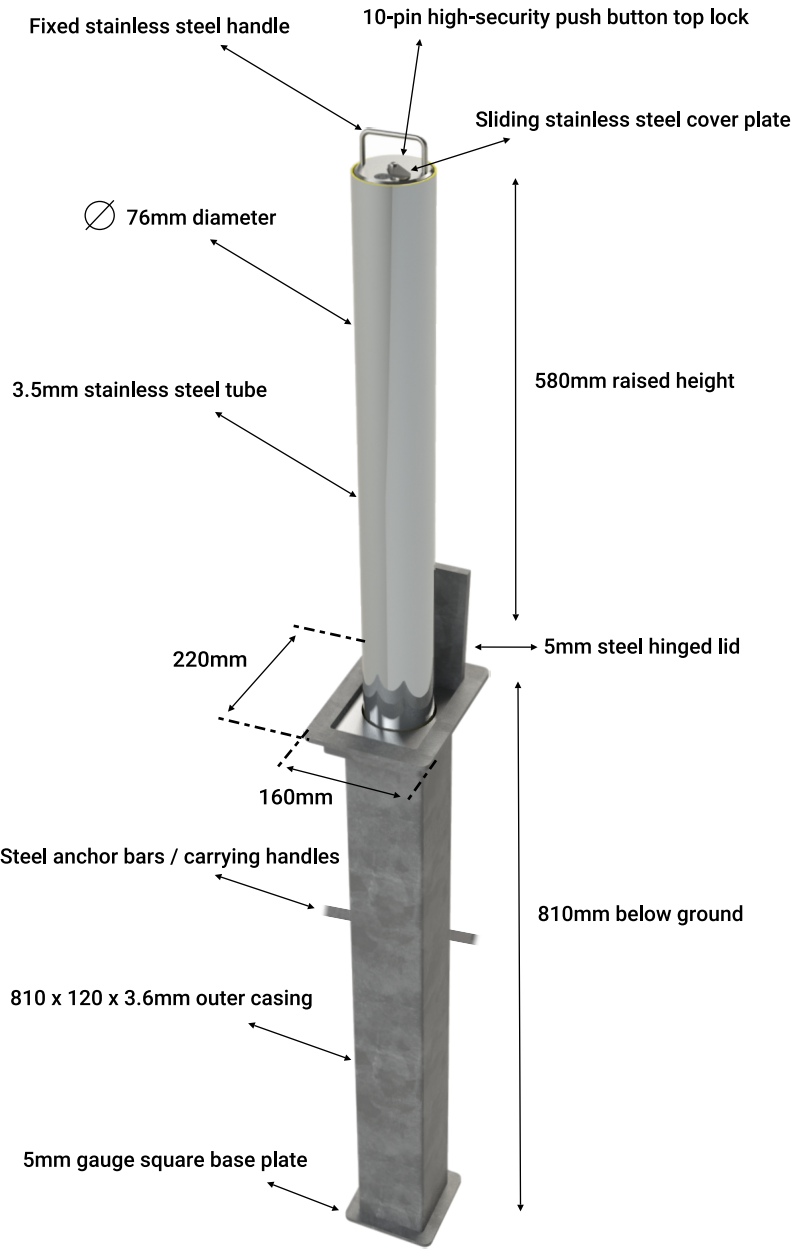
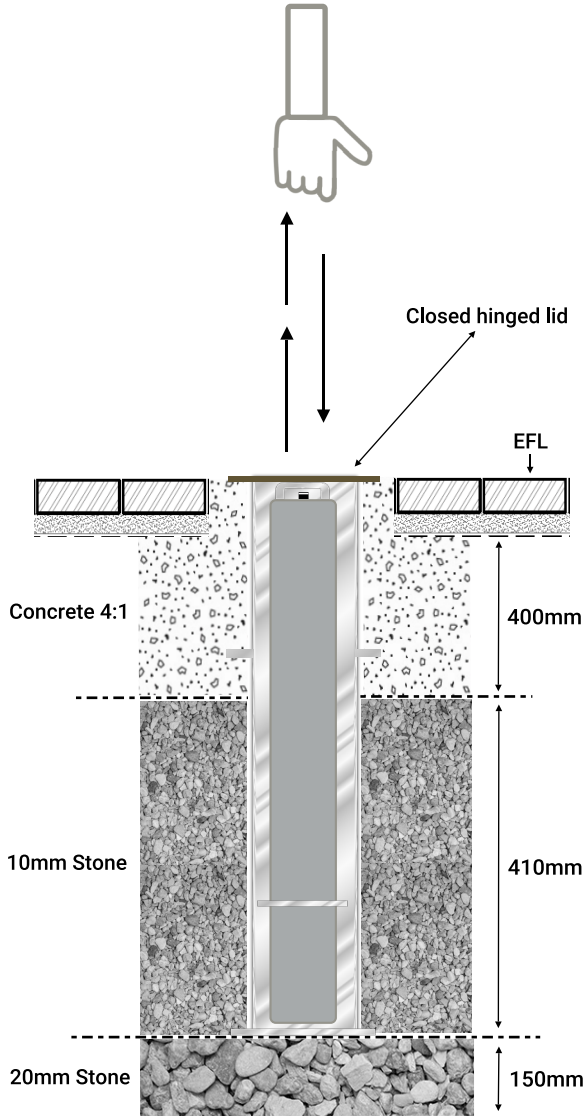


RD4S - SPECIFICATION



7KG Lifting Weight

Lower slowly - DO NOT DROP!



- Profile:** Round Stainless Steel Telescopic Bollard
- Diameter:** 76mm
- Raised Height:** 580mm
- Lifting Weight:** 7kg
- Inner Bollard:** 3.6mm steel gauge wall
- Outer Casing:** 810 x 120 x 3.6mm
- Lock:** 10-pin high security push button top lock
- Lock Cover:** Sliding stainless steel cover plate
- Handle:** Fixed stainless steel
- Hinged Lid:** 5mm heavy duty galvanised steel
- Finish:** 304 Grade stainless steel
- Guarantee:** 1 Year
- Serviceable components:** All moving parts
- Manufacture:** RAM - Group UK
- Mild steel:** Manufactured to BS1440
- Galvanising:** BS EN ISO 1461 (2009) Hot-dipped



Security Bollards Direct
 The Old Court House
 Orsett Road
 Grays
 Essex
 RM17 5DD
 Tel: 01375 842223 | 0800 4488652
 Web: www.securitybollardsdirect.co.uk