

Quinto Bollard Range

Bollards



Data Sheet

Product Information

The Quinto Bollard Range is ideal for path lighting and feature lighting for commercial and domestic applications. With its decorative design it is ideal for a focal point to various external places

Supplied with an anthracite finish
Complete with a 2 year warranty



Product Features

- 2 year warranty
- Class I
- IP54
- 13w CREE LED technology
- Supplied in 3000K as standard
- 360° emitting beam angle
- 2 versions available
- Strong Cast Aluminium Body
- Life Expectancy up to 40,000hrs

Product Specification

Product Code	Product Description	Wattage (W)	CCT (K)	Lumens (lm)	CRI (Ra)	Energy Efficiency Class	Protection Class
KSR1911	Quinto 13w LED 230mm Bollard	13w	3000	1075	83	A+	I
KSR1912	Quinto 13w LED 500mm Bollard	13w	3000	1075	83	A+	I

Nominal voltage	100~240VAC
Operating frequency	50/60Hz
Circuit Wattage	13w Cree LED
Circuit Current	0.109A
Driver mA Rating	300mA
PFC	0.5
In Rush Current	0.285A Max Peak
Ambient temperature range	-20°C to +40°C
IP rating	54

Construction

Body: Cast Aluminium
Lens: Glass

Standards

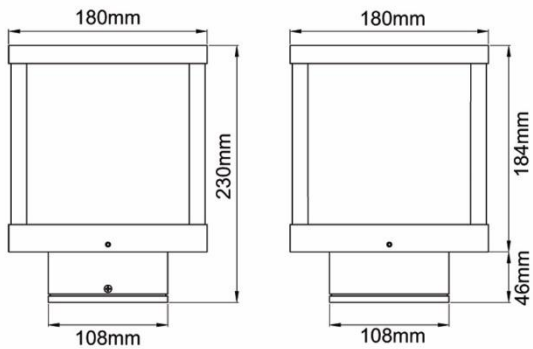
BSEN60598-1:2015 Luminaires – Part 1: General requirements and tests

In Conformity with

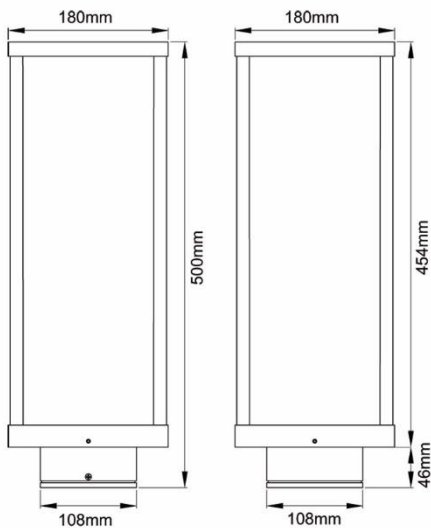
LVD Low voltage directive 2014/35/EU
EMC Electromagnetic compatibility directive 2014/30/EU
ERP Energy related products directive 2009/125/EC
RoHS Restriction of hazardous substances 2011/65/EU

Product Dimensions

KSR1911



KSR1912



KSR Lighting is constantly developing and improving its products. For this reason, all product descriptions in this data sheet are intended as a general guide, and KSR may change specifications from time to time in the interest of product development, without prior notification or public announcement. All descriptions in this data sheet present only general particulars of the goods to which they refer and shall not form part of any contract. Data in this guide has been obtained in controlled experimental conditions. However, KSR Lighting cannot accept any liability arising from the reliance on such data to the extent permitted.