

# Flix Range

*Exterior Wall Lighting*



Data Sheet

## Product Information

The Flix Outdoor Range are ideal for path lighting and feature lighting for commercial and domestic applications. With its adjustable head this range allows you to highlight features whilst maintaining uniform installations.

Supplied with an anthracite finish  
Complete with a 2 year warranty

## Product Features

- 2 year warranty
- Class I
- IP54
- 8.5w CREE LED technology
- Supplied in 3000K as standard
- 111° emitting beam angle
- 320° adjustable Head
- Strong Cast Aluminium Body
- Life Expectancy up to 40,000hrs

**KSR1908 – Wall Light version**



Product Code	Product Description	Wattage (W)	CCT (K)	Lumens (lm)	CRI (Ra)	Energy Efficiency Class	Protection Class
KSR1908	Flix 8.5w LED Adjustable Wall Light	8.5w	3000	330	85	A+	I
KSR1909	Flix 8.5w LED Adjustable 300mm Bollard	8.5w	3000	330	85	A+	I
KSR1910	Flix 8.5w LED Adjustable 650mm Bollard	8.5w	3000	330	85	A+	I

## Product Specification

Nominal voltage	100~240VAC
Operating frequency	50/60Hz
Circuit Wattage	7w Cree LED
Circuit Current	0.075A
Driver mA Rating	350mA
PFC	0.47
In Rush Current	0.352A Max Peak
Ambient temperature range	-20°C to +40°C
IP rating	54

## Construction

Body: Cast Aluminium  
 Lens: Polycarbonate

## Standards

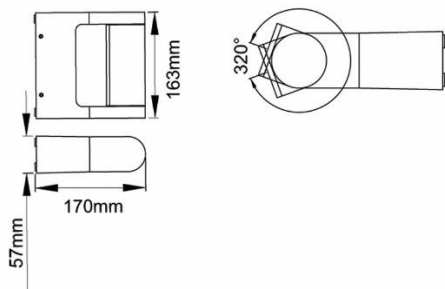
BSEN60598-1:2015      Luminaires – Part 1: General requirements and tests

## In Conformity with

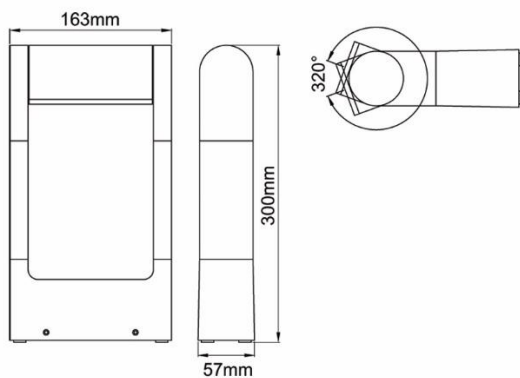
LVD                      Low voltage directive 2014/35/EU  
 EMC                     Electromagnetic compatibility directive 2014/30/EU  
 ERP                      Energy related products directive 2009/125/EC  
 RoHS                    Restriction of hazardous substances 2011/65/EU

# Product Dimensions

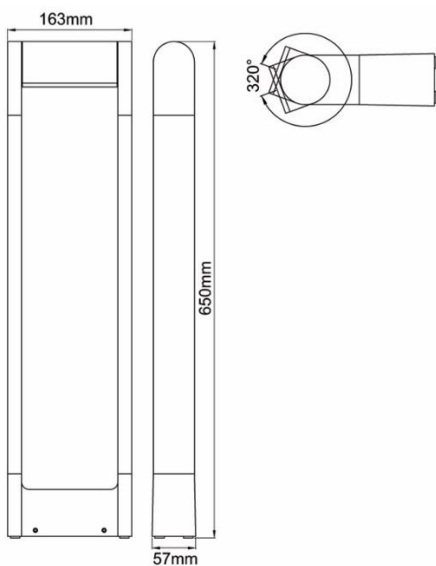
## KSR1908



## KSR1909



## KSR1910



KSR Lighting is constantly developing and improving its products. For this reason, all product descriptions in this data sheet are intended as a general guide, and KSR may change specifications from time to time in the interest of product development, without prior notification or public announcement. All descriptions in this data sheet present only general particulars of the goods to which they refer and shall not form part of any contract. Data in this guide has been obtained in controlled experimental conditions. However, KSR Lighting cannot accept any liability arising from the reliance on such data to the extent permitted.

[www.ksrlighting.com](http://www.ksrlighting.com)