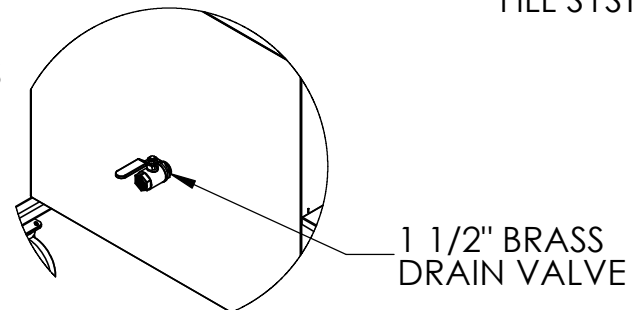
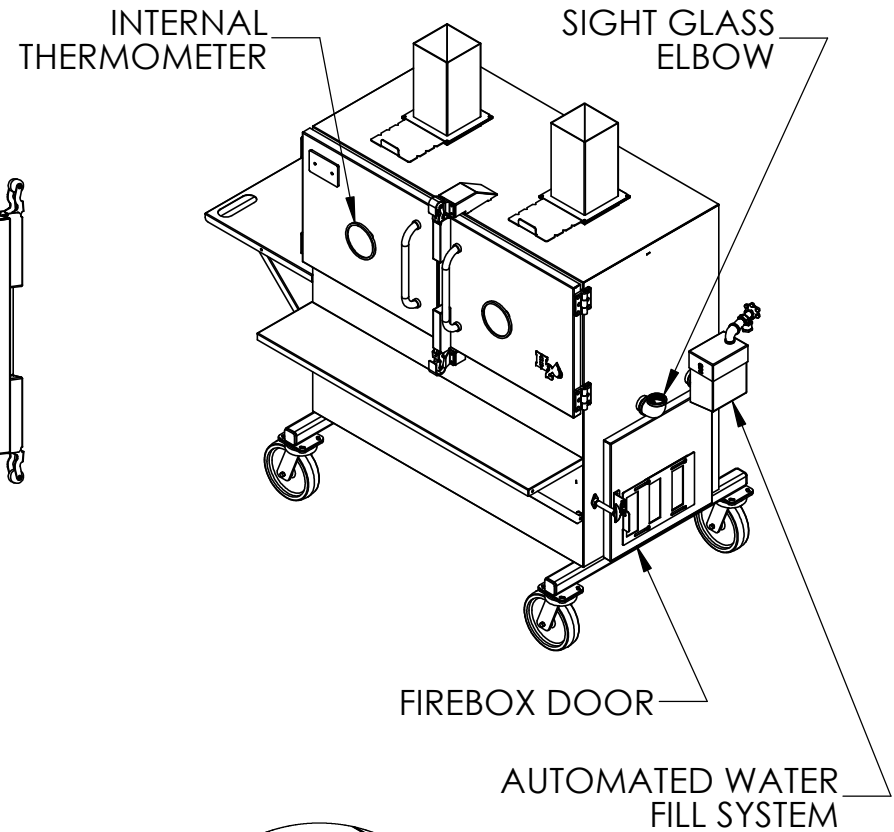
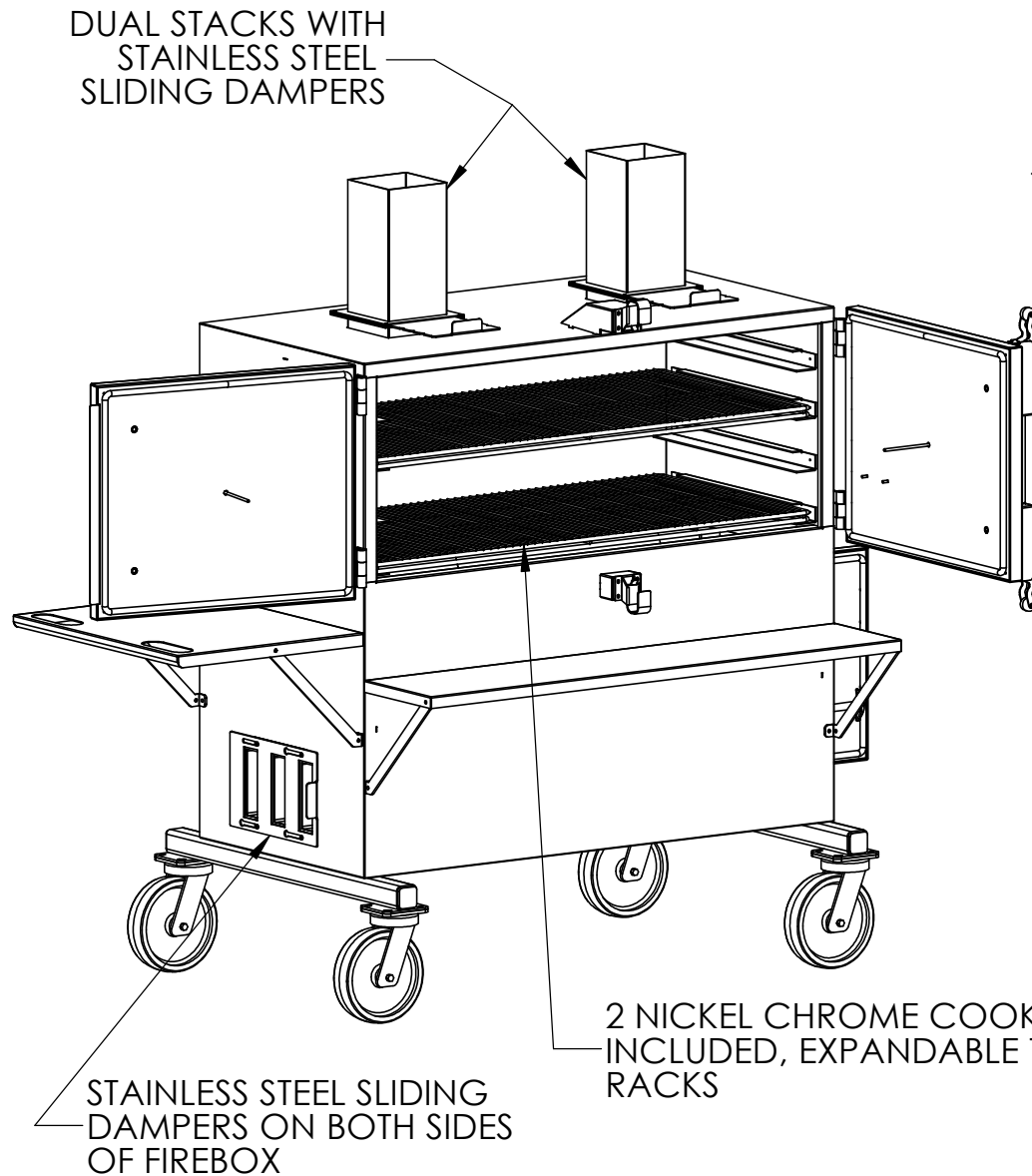


MYRON MIXON - SMOKERS -



REAR VIEW

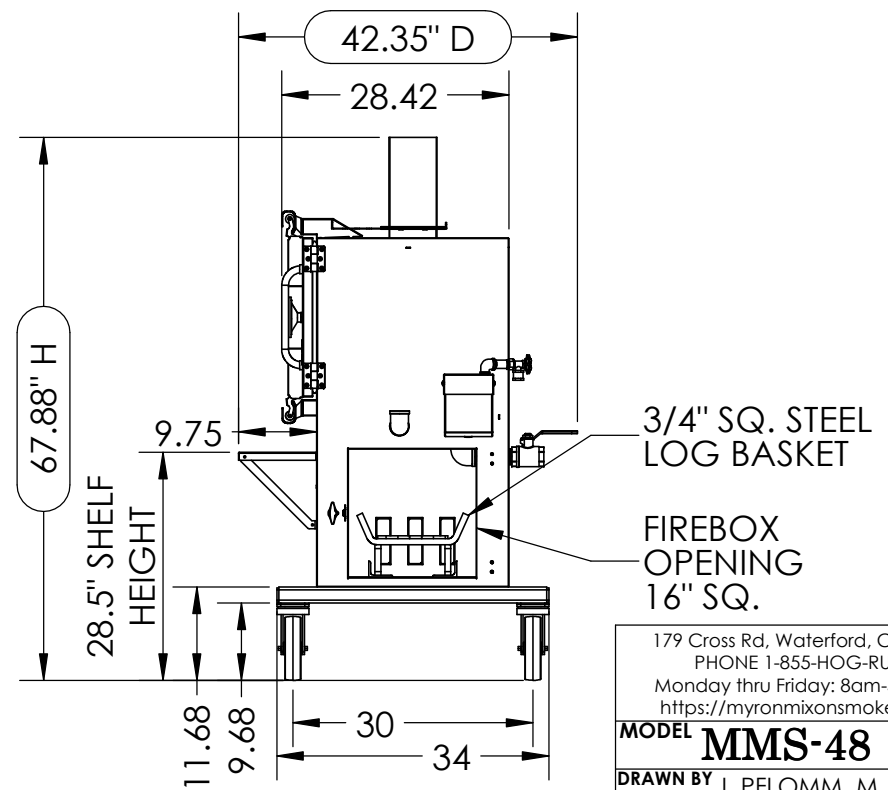
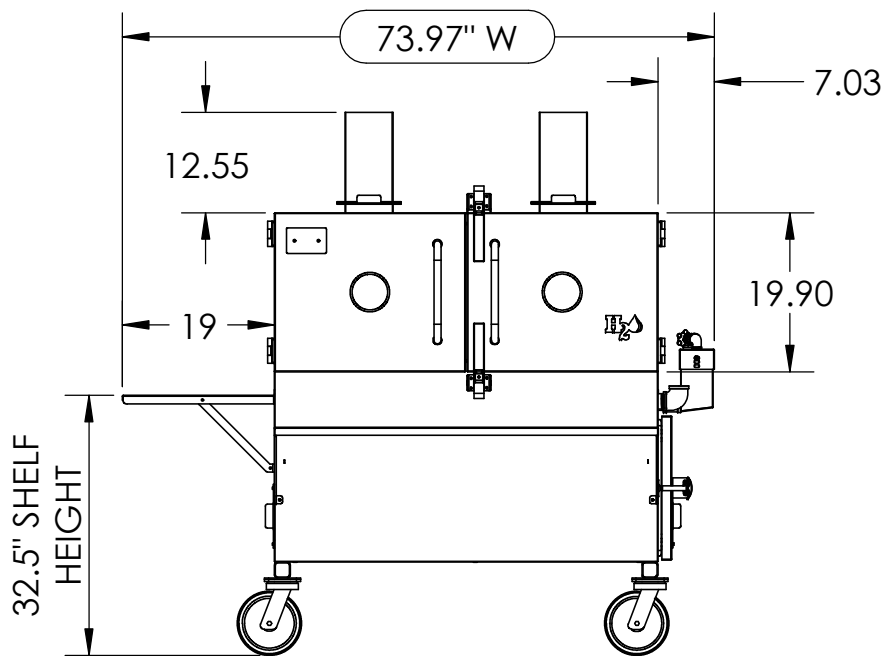
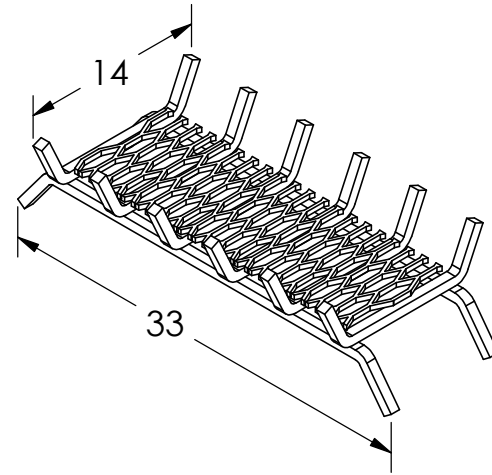
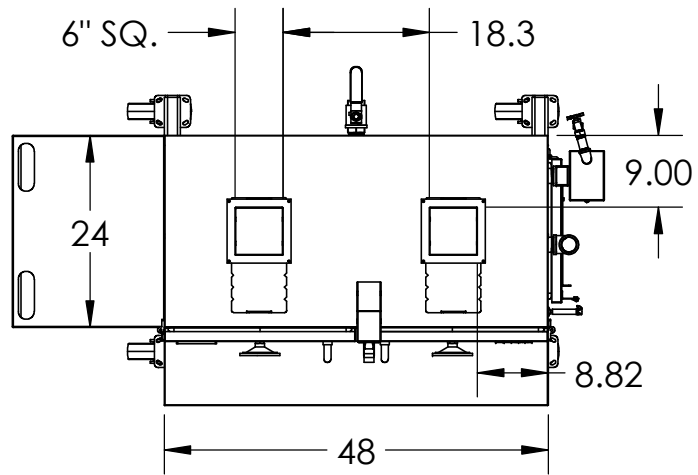
1. HANDCRAFTED IN THE USA
2. 100% INSULATED
3. 100% WELDED
4. HIGH-TEMPERATURE DURABLE POWDER COAT FINISH
5. OPTIMIZED SHAPE TO MAXIMIZE CAPACITY

179 Cross Rd. Waterford, CT. 06385
 PHONE 1-855-HOG-RULES
 Monday thru Friday: 8am-5pm EST
<https://myronmixonsmokers.com>

MODEL **MMS-48**

DRAWN BY J. PFLOMM, M. WHITTLE

REV 04	DATE 6/12/2018	SHEET 1
--------	----------------	---------

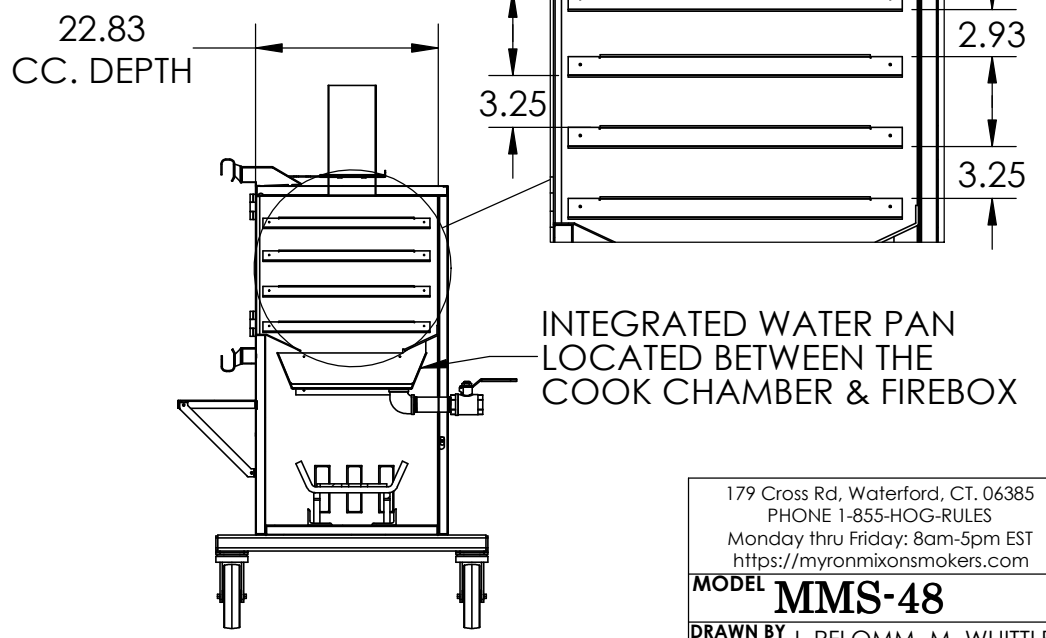
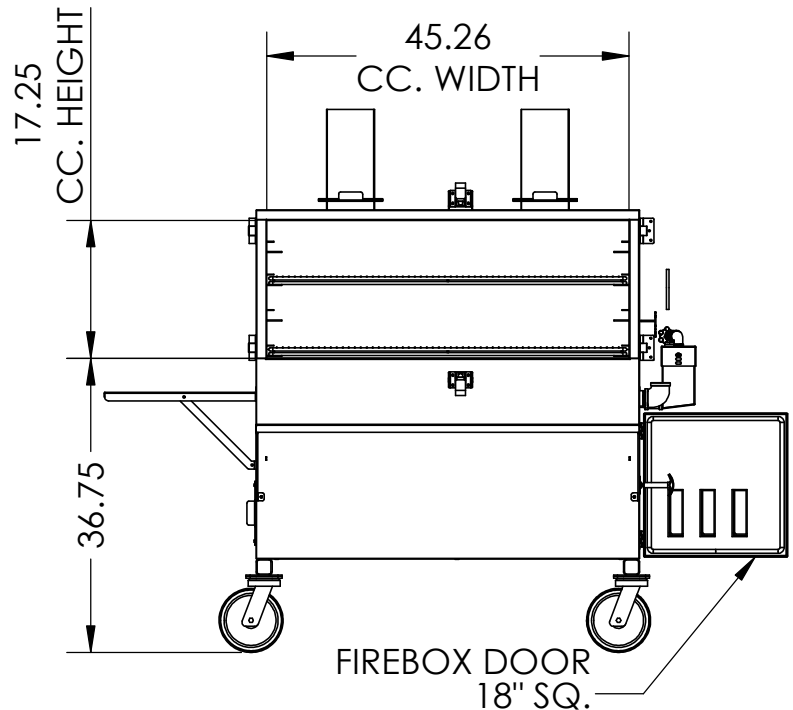
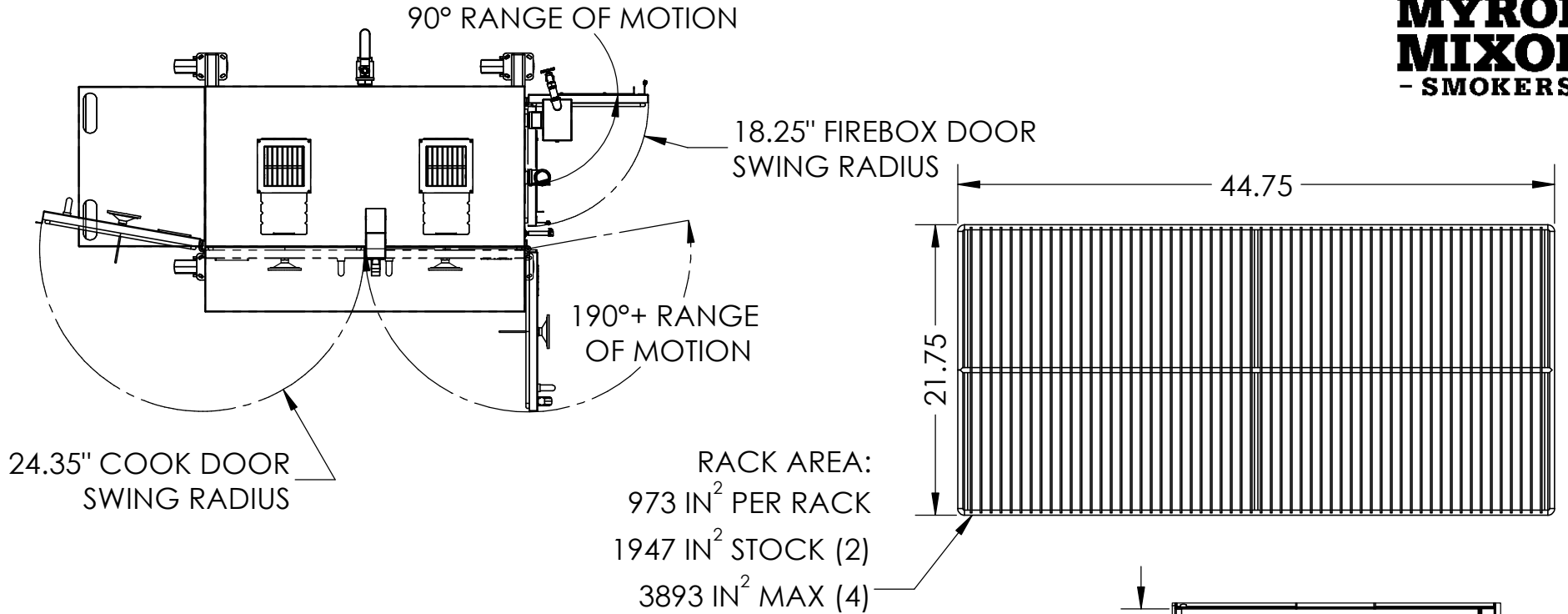


3/4" SQ. STEEL LOG BASKET

FIREBOX OPENING 16" SQ.

179 Cross Rd. Waterford, CT. 06385
 PHONE 1-855-HOG-RULES
 Monday thru Friday: 8am-5pm EST
<https://myronmixonsmokers.com>

MODEL	MMS-48	
DRAWN BY	J. PFLOMM, M. WHITTLE	
REV	DATE	SHEET
04	6/12/2018	2



179 Cross Rd. Waterford, CT. 06385
PHONE 1-855-HOG-RULES
Monday thru Friday: 8am-5pm EST
<https://myronmixonsmokers.com>

MODEL MMS-48

DRAWN BY J. PFLOMM, M. WHITTLE

REV 04 DATE 6/12/2018 SHEET 3