

*Your Dream Dock Starts Here
Easy To Build...Ready To Enjoy!*

Roll-In Dock Kit Assembly Instructions

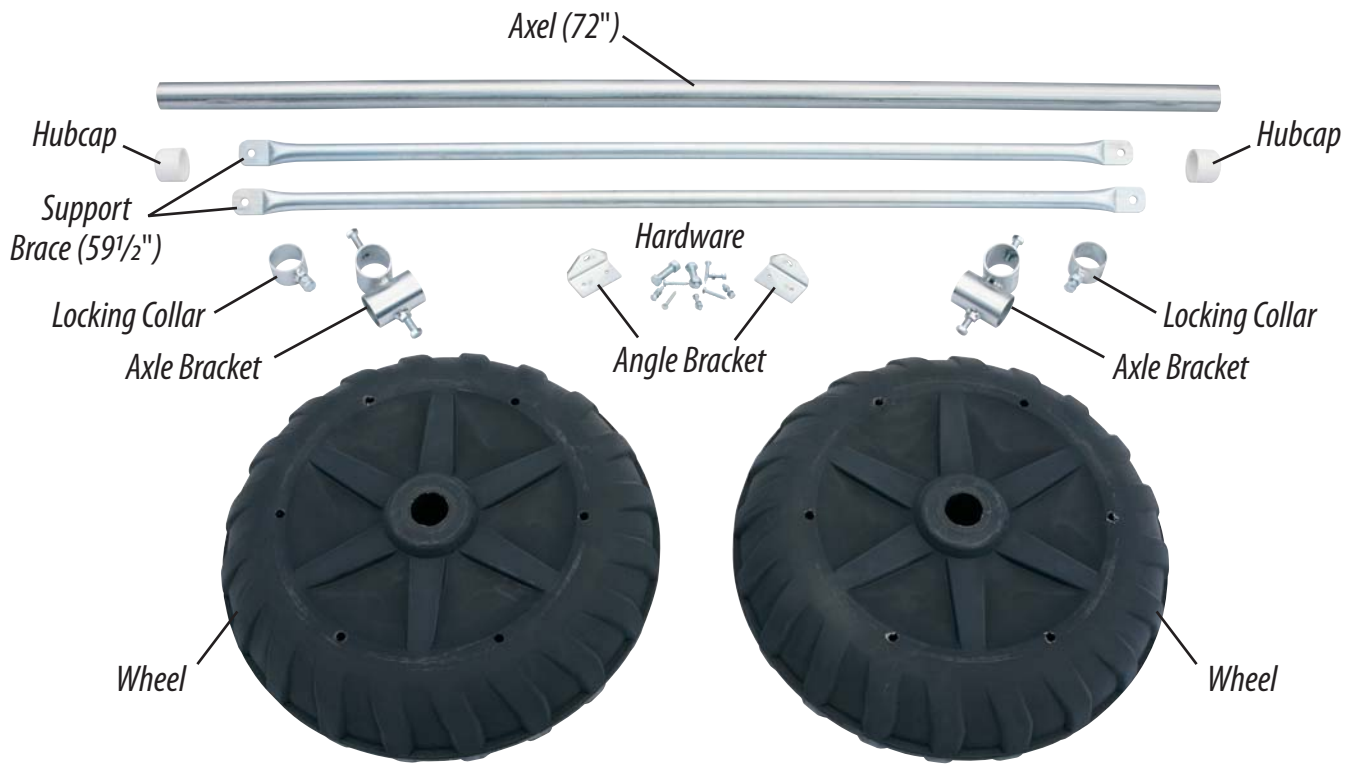


PO Box 1449
Wausau, WI 54402
715-842-3804
www.tommydocks.com

Roll-In Dock Kit Assembly Instructions

www.tommydocks.com

PARTS INCLUDED IN THIS KIT



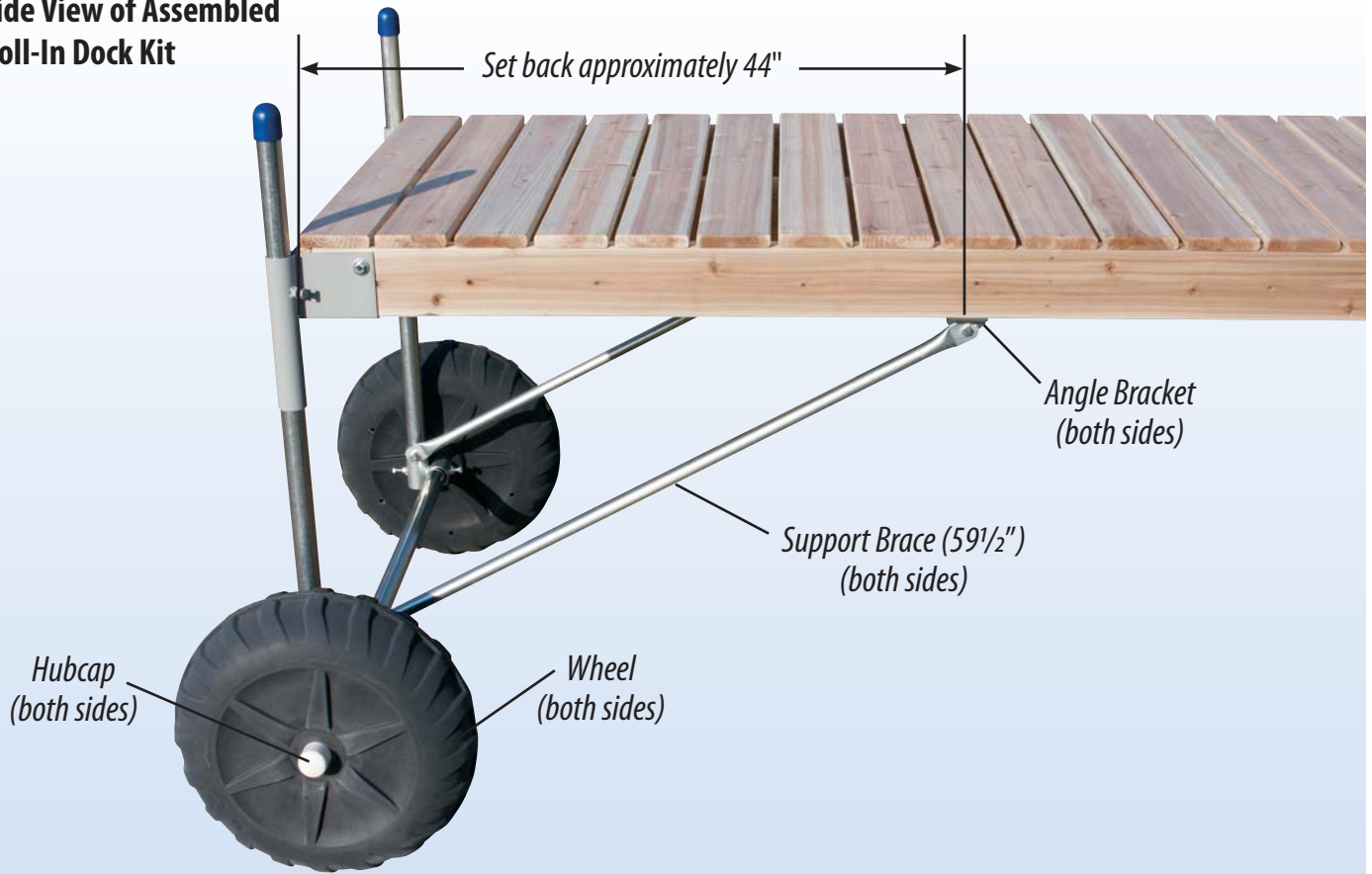
PARTS LIST

- (2) Wheels
- (1) 72" Long Axle
- (2) Plastic Hubcaps
- (2) 59 1/2" Long Support Braces
- (2) Axle Brackets with 1/2" Bolts
- (2) Locking Collars with 1/2" Bolts
- (2) Angle Brackets
- (2) 1/2" x 1 1/2" Hexhead Bolts and Nuts
- (4) 1/4" x 1 1/2" Lagbolts (for bolting angle brackets to a wood frame dock)
- (4) 1/4" x 1" Hexhead Bolts, Nuts and Lockwashers (for bolting angle brackets to a metal frame dock)

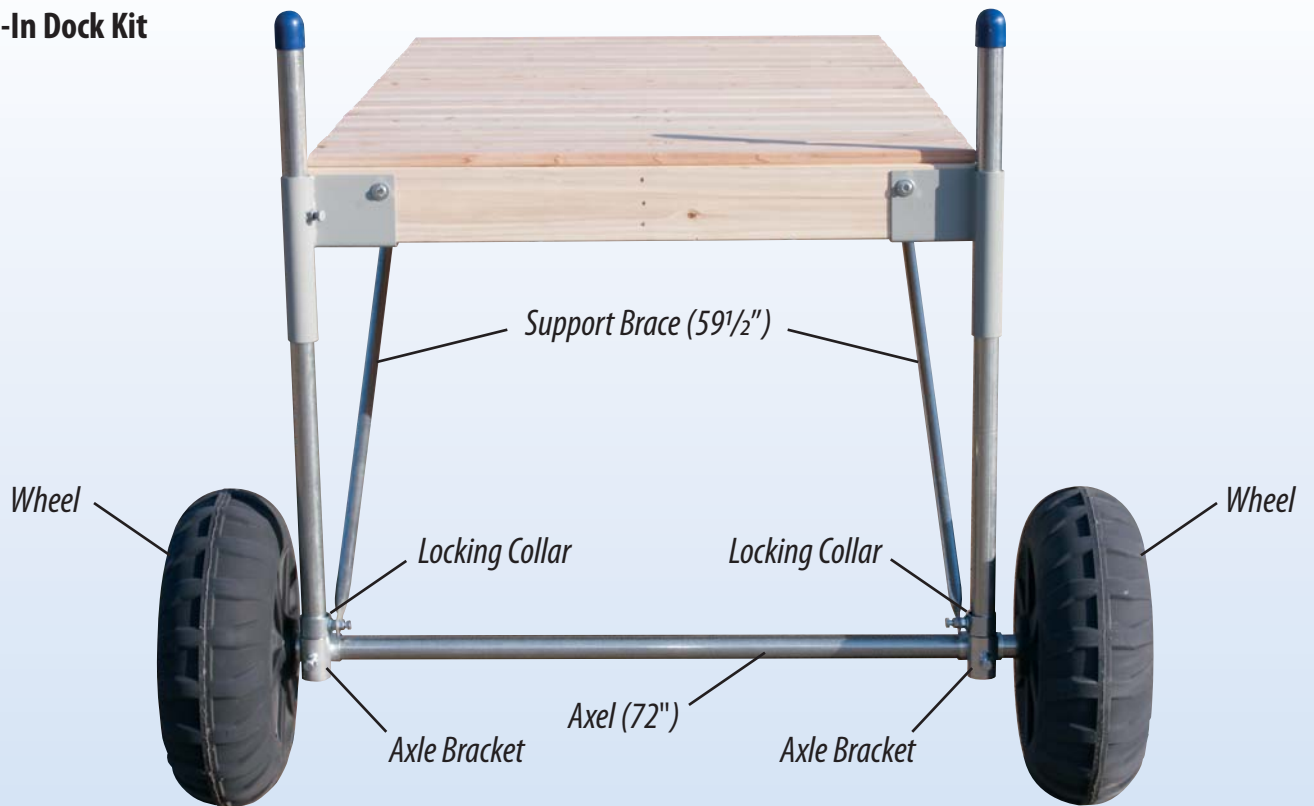
TOOLS NEEDED

- (2) 7/16" Wrenches
- (2) 3/4" Wrenches
- Hammer (to tap hubcaps onto the ends of the axle)
- Tape Measure

Side View of Assembled Roll-In Dock Kit



Front View of Assembled Roll-In Dock Kit

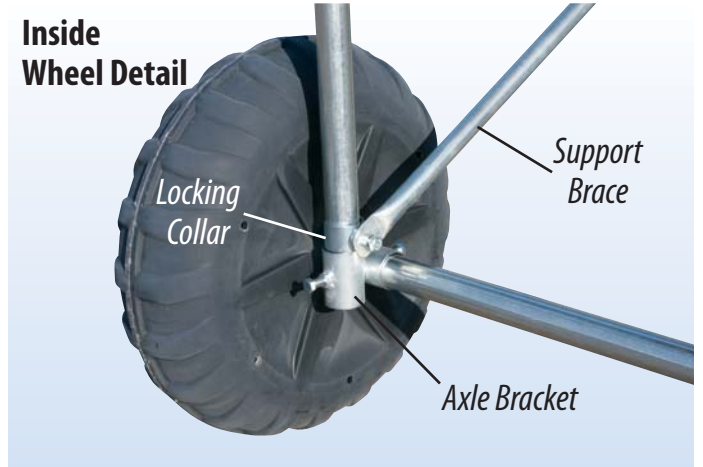


Detail Section

**Outside
Wheel Detail**



**Inside
Wheel Detail**



**Additional
Detail View**



**Detail View of
Angle Bracket Connection**

