



Tommy Docks

8608 Progress Way, Weston, WI 54476

Phone : 715-842-3804

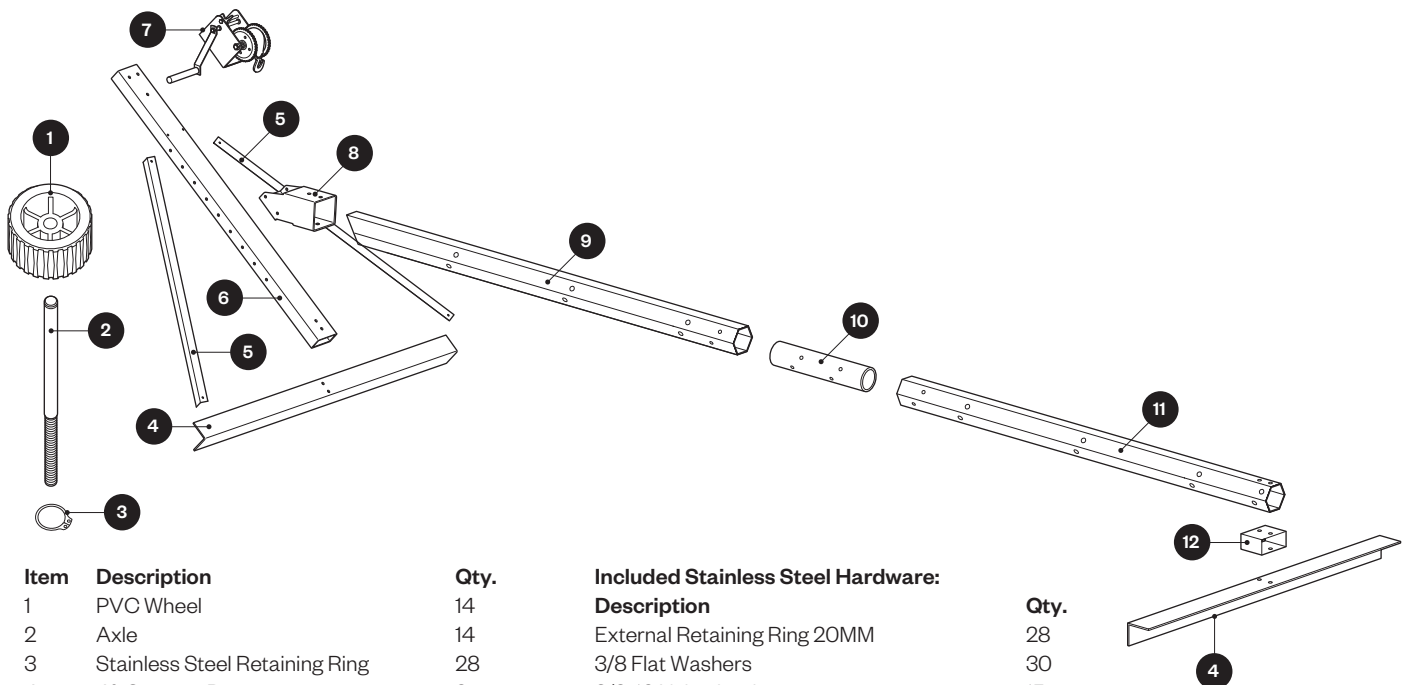
Toll Free : 866-675-1880

Fax : 715-842-3420

Simple Shore SS-PWC-10000

Assembly Instructions

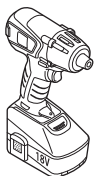
Includes:



Item	Description	Qty.
1	PVC Wheel	14
2	Axle	14
3	Stainless Steel Retaining Ring	28
4	4ft Support Rest	2
5	Support Brace	2
6	Ratchet Mount	1
7	Winch	1
8	Trunk Mount Front	1
9	Forward Trunk Assembly	1
10	Trunk Ramp Adapter	1
11	Rear Trunk Assembly	1
12	Axle Mount Entry Plate	1

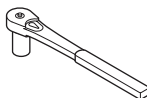
Included Stainless Steel Hardware:		Qty.
Description		
External Retaining Ring 20MM		28
3/8 Flat Washers		30
3/8-16 Nyloc Locknuts		15
3/8-16 x 3" Partially Threaded Bolts		3
3/8-16 x 4-3/4" Partially Threaded Bolts		4
3/8-16 x 5" Partially Threaded Bolts		2
3/8-16 x 5-1/2" Partially Threaded Bolts		2
3/8-16 x 7" Partially Threaded Bolts		2
3/8-16 x 2-3/4" Partially Threaded Bolts		2
3/8-16 x 2-1/2" Partially Threaded Bolts		2
10-24 3/4" Threaded Bolts		2
10-24 Steel Nuts		4
Snap-Ring Pliers Included		1

Tools

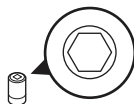


Drill

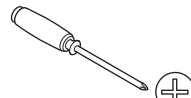
or



Socket Wrench

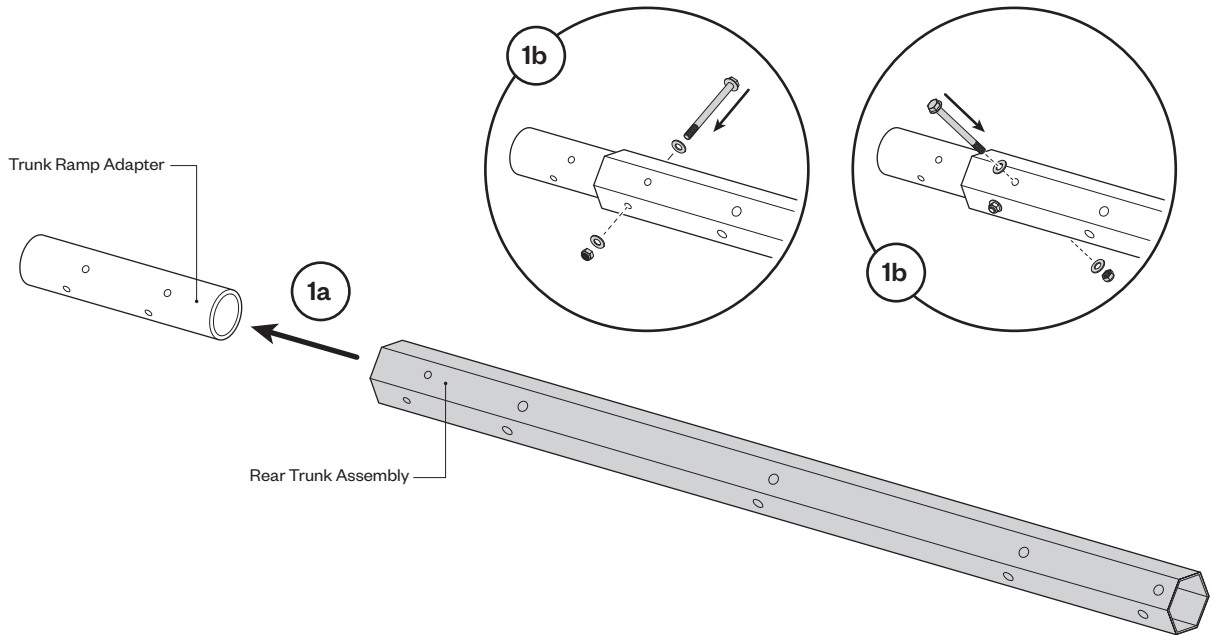


9/16th Socket

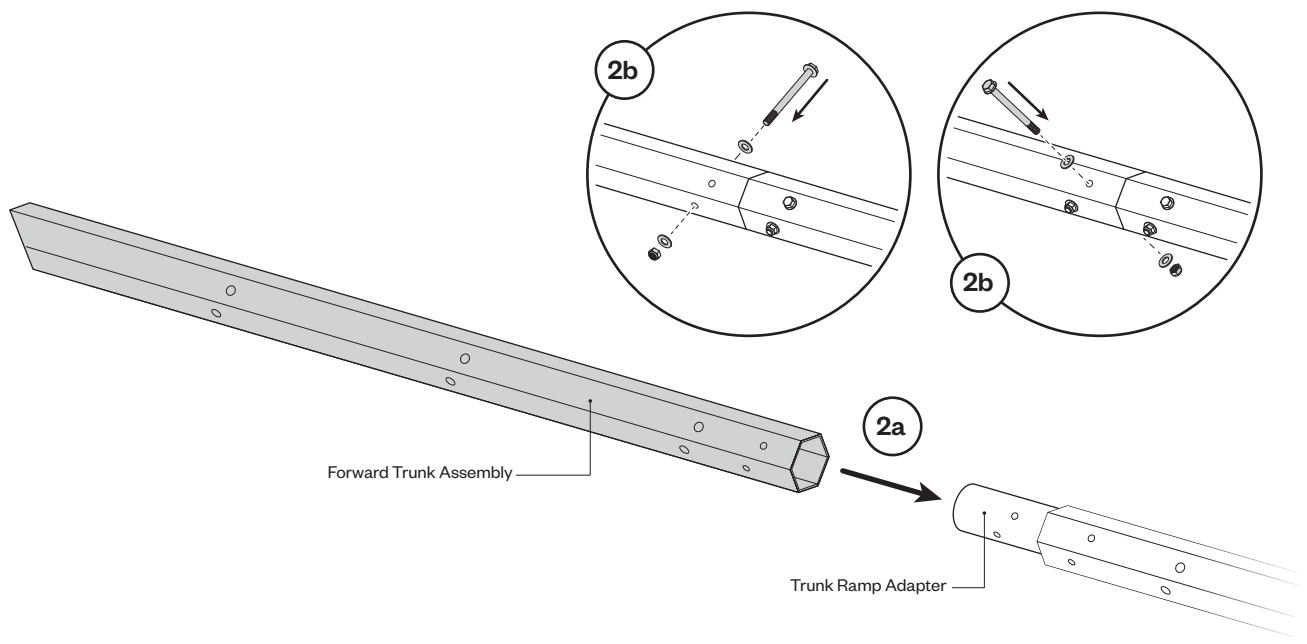


Phillips Head
Screwdriver

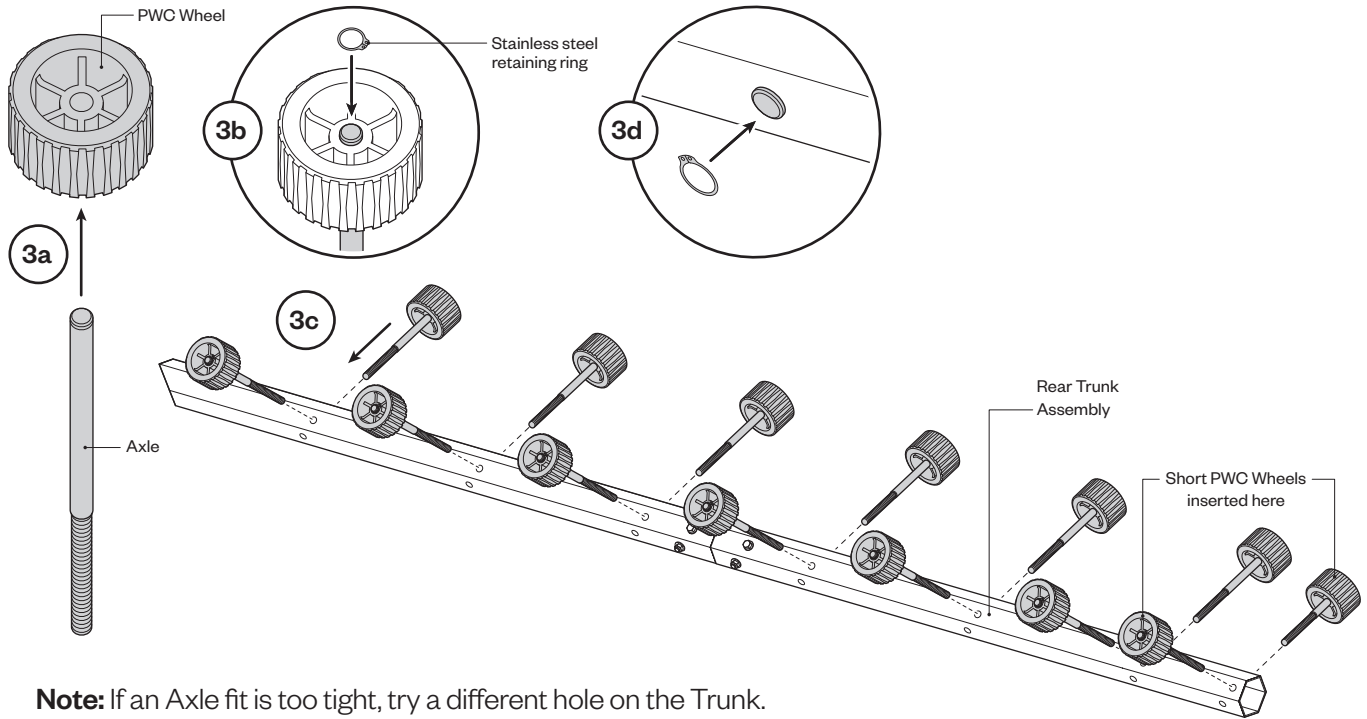
- 1** Align the Rear Trunk Assembly to the Trunk Ramp Adapter (1a) and fasten using two (2) 4-3/4" Partially Threaded Bolts, four (4) Flat Washers, and two (2) Nyloc Locknuts (1b).



- 2** Align the Forward Trunk Assembly to the other end of the Trunk Ramp Adapter (2a) and fasten using two (2) 4-3/4" partially threaded bolts, four (4) Flat Washers, and two (2) Nyloc Locknuts (2b).

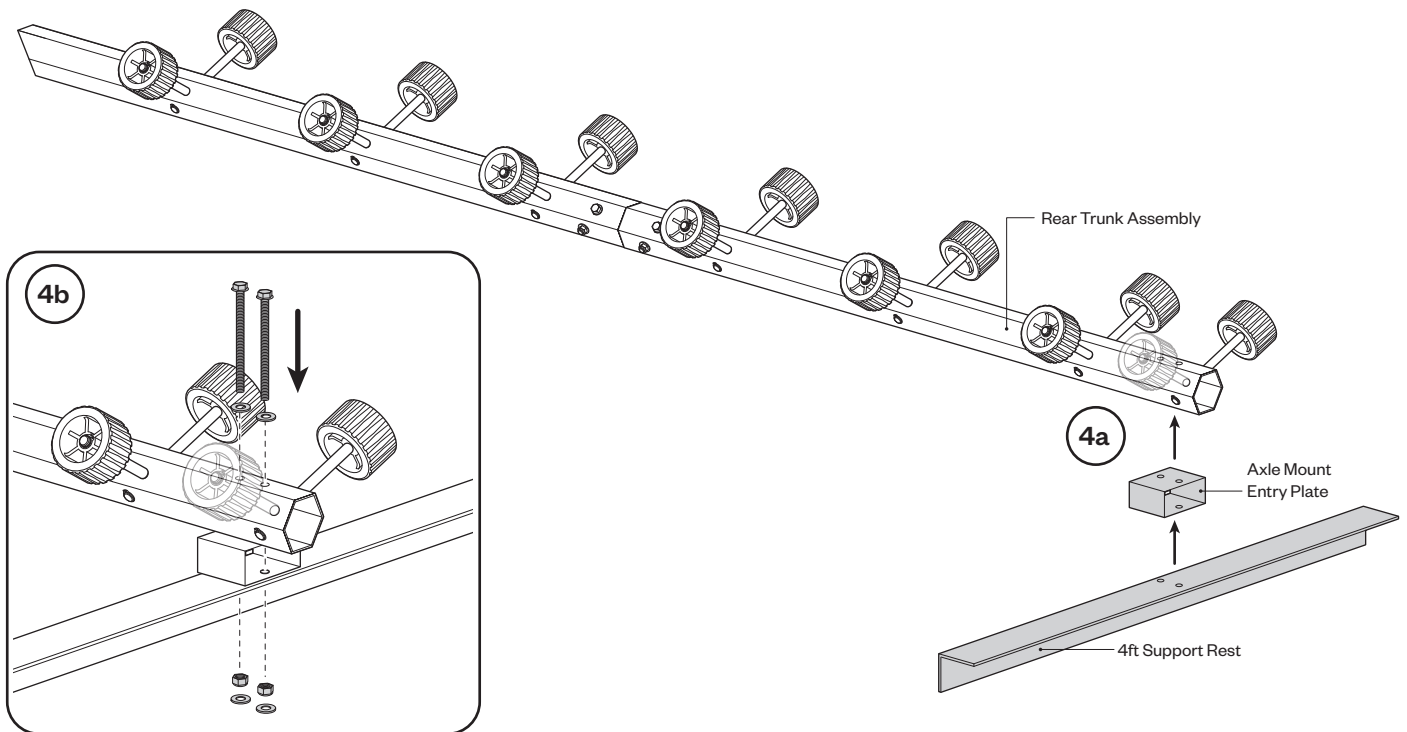


- 3** Insert one (1) Axle into each Wheel (14 total) (3a). Secure using one (1) Stainless Steel Retaining Ring for each Wheel using the Snap-Ring Pliers (3b). Insert all 14 Wheels through the pre-drilled holes located in the Trunk Assemblies (3c) and fasten them on the bottom side using one (1) Stainless Steel Retaining Ring per Wheel (3d).
Note: the two shorter Axles must be at the far end of the Rear Trunk Assembly.

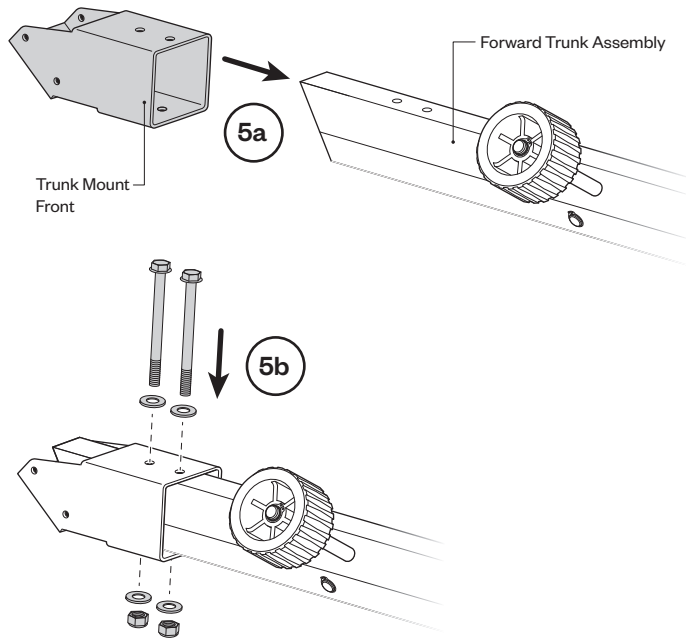


Note: If an Axle fit is too tight, try a different hole on the Trunk.

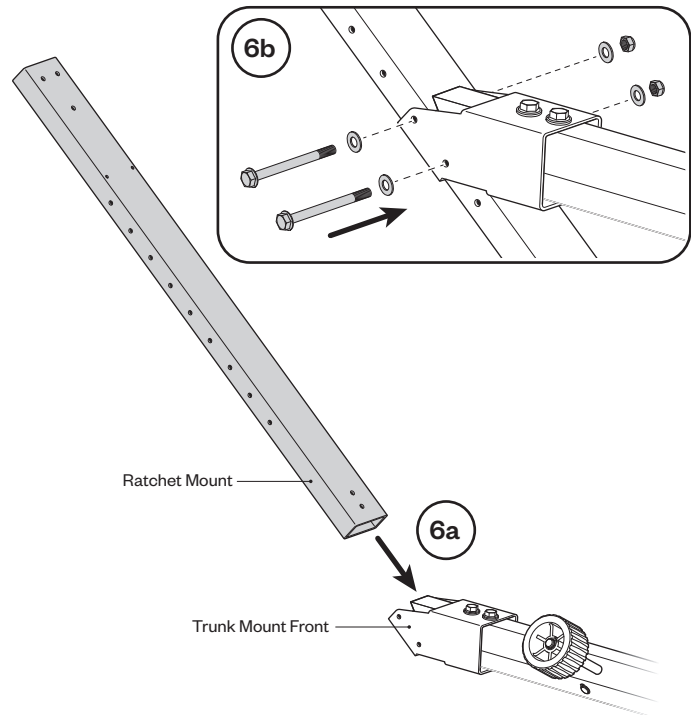
- 4** Align Axle Mount Entry Plate and 4ft Support Rest with the Rear Trunk Assembly (4a) and secure using two (2) 7" Partially Threaded Bolts, four (4) Flat Washers, and two (2) Nyloc Locknuts (4b).



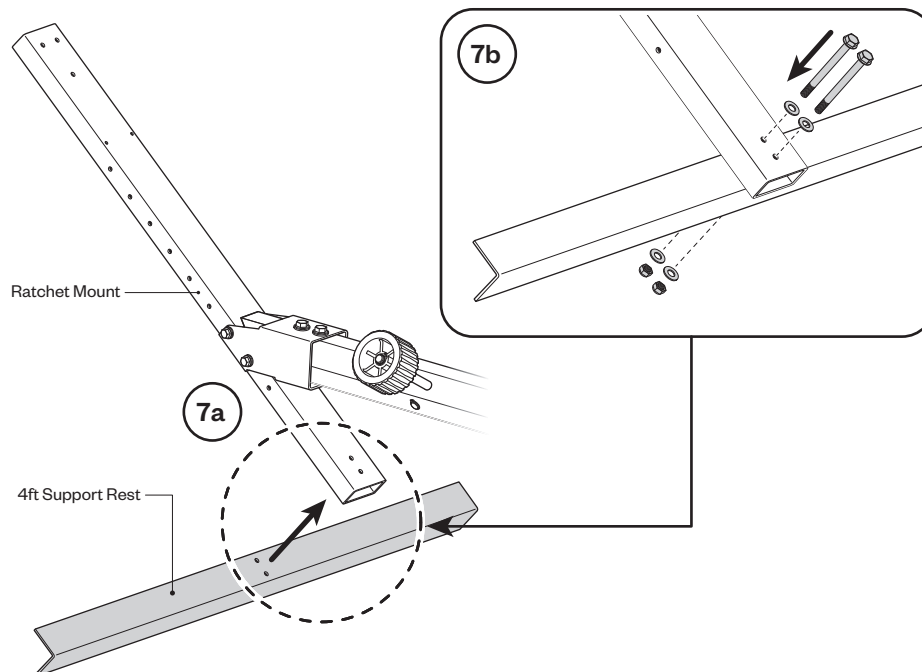
5 Fit the Trunk Mount Front over the Forward Trunk Assembly (5a) and fasten them together using two (2) 5" Partially Threaded Bolts, four (4) Flat Washers, and two (2) Nyloc Locknuts (5b).



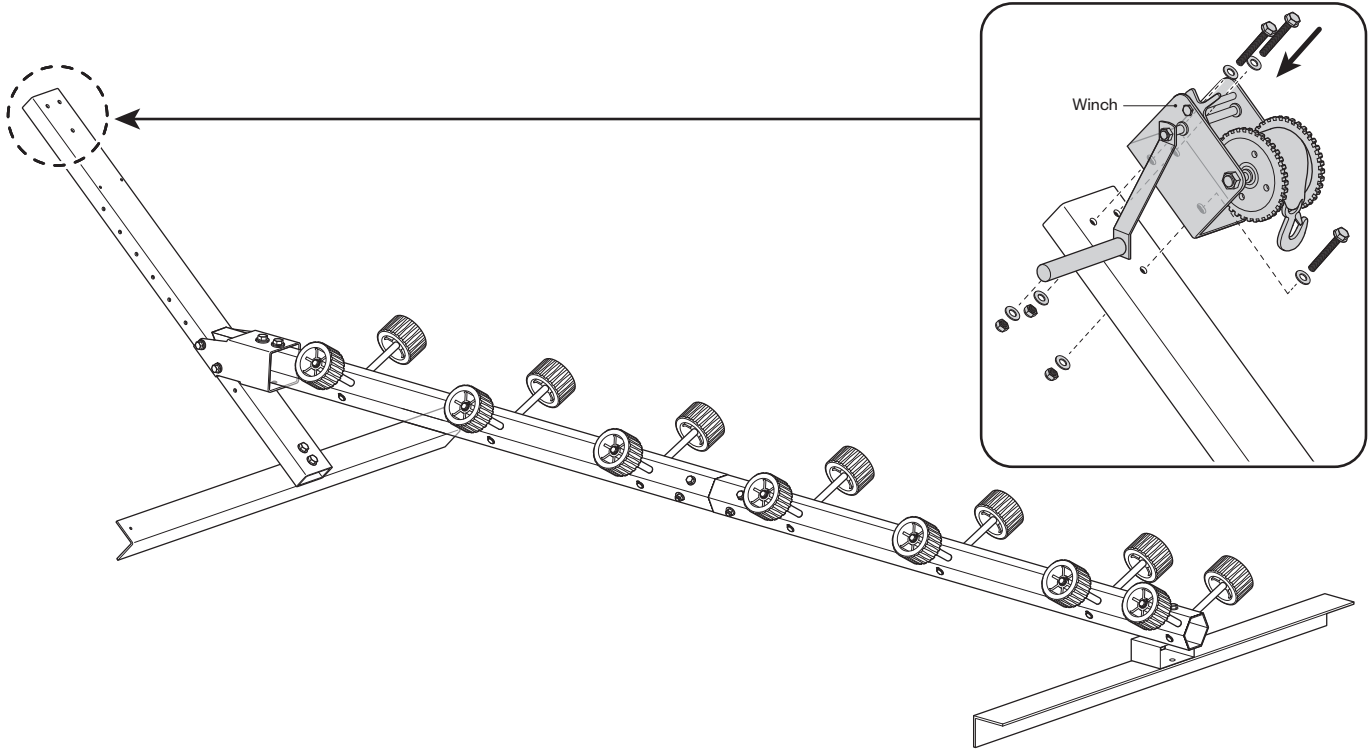
6 Run the Ratchet Mount through the Trunk Mount Front to the designated height (6a) and fasten them together using two (2) 5-1/2" Partially Threaded Bolts, four (4) Flat Washers, and two (2) Nyloc Locknuts (6b).



7 Align 4ft Support Rest to Ratchet Mount (7a) and fasten using two (2) 2-3/4" Partially Threaded Bolts, four (4) Flat Washers and two (2) Nyloc Locknuts (7b).



8 Mount the Winch using three (3) 3" Partially Threaded Bolts, (6) Flat Washers, (3) Nyloc Locknuts.



9 Align the Support Braces to the pre-drilled holes on the Ratchet Mount and secure using two (2) 2-1/2" Partially Threaded Bolts and two (2) Steel Nuts. Align the Support Braces to the bottom pre-drilled holes on the 4ft Support Rest and secure using two (2) 3/4" Threaded Bolts and two (2) Steel Nuts.

