



**TOMMY
DOCKS®**

Tommy Docks

4003 Dixie Ave, Wausau, WI 54401

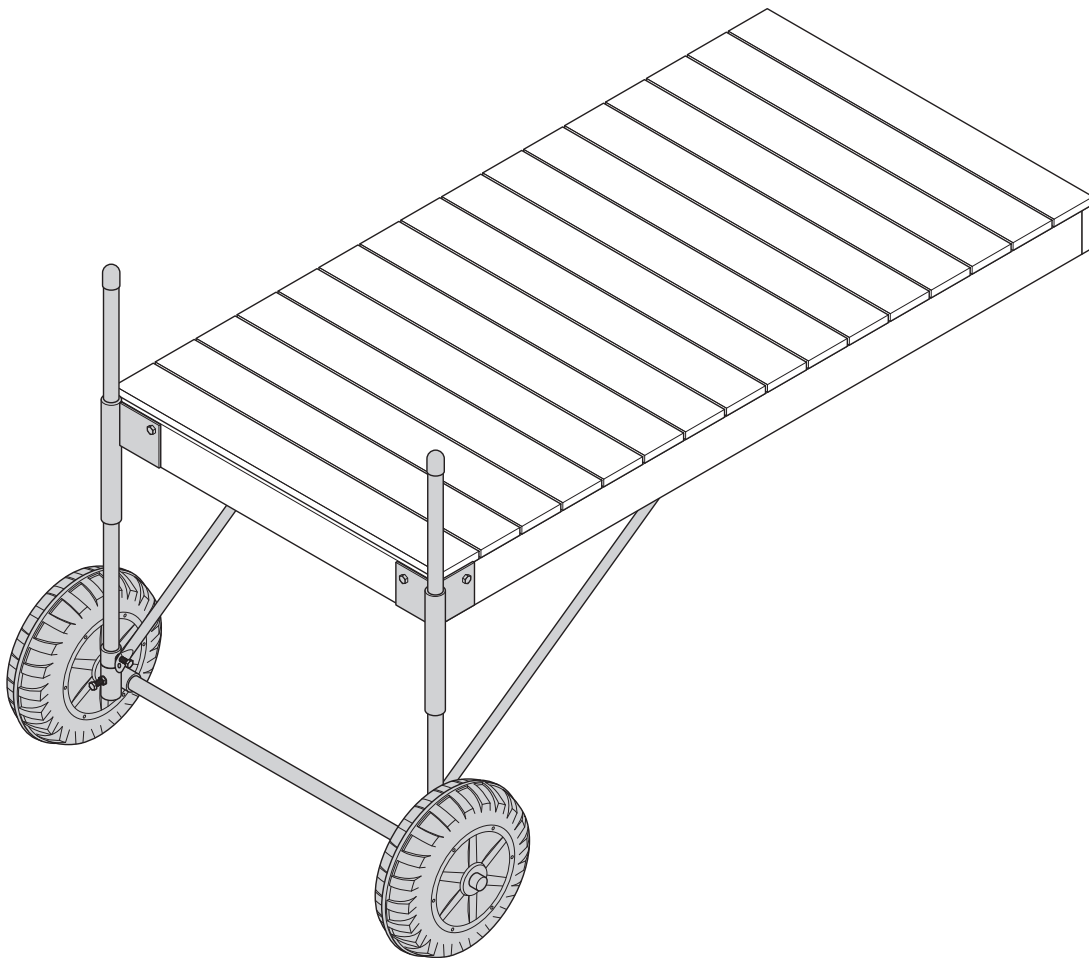
Phone : 715-842-3804

Toll Free : 866-675-1880

Fax : 715-842-3420

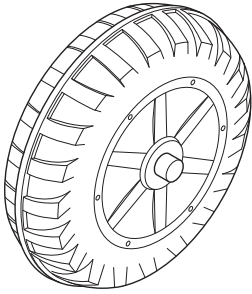
Roll-In Dock Kit

Assembly Instructions

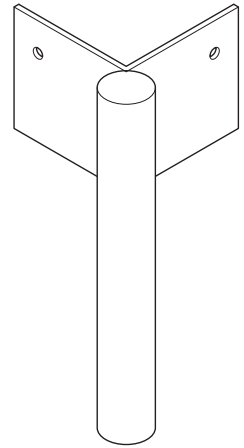


Roll-In Dock Kit Components

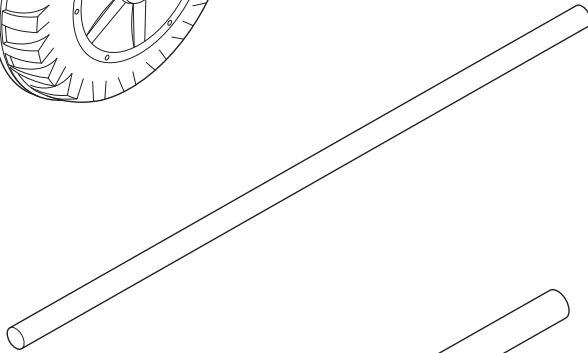
Wheels
Qty 2



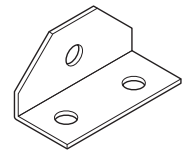
Corner
Bracket
Qty 2



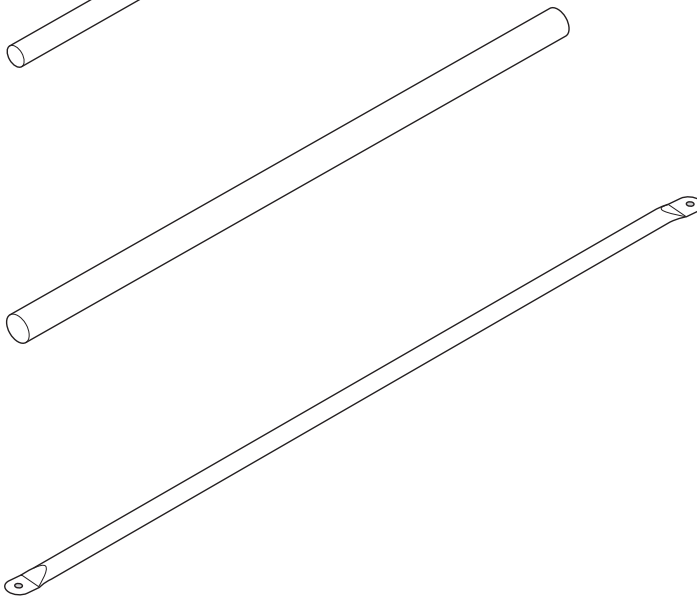
72" Long Axle
Qty 1



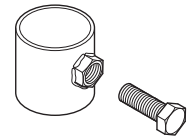
Angle
Brackets
Qty 2



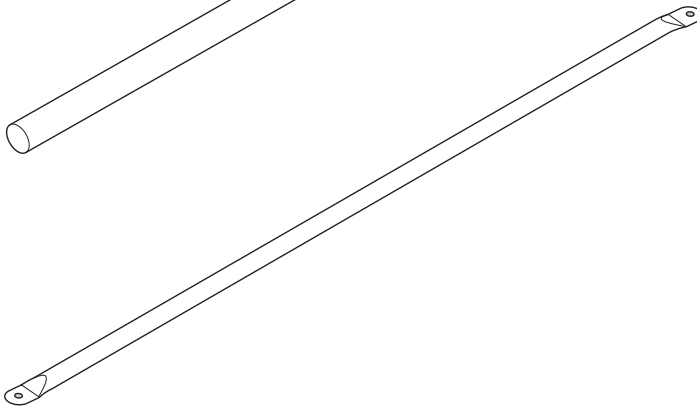
Customer
Provided Pipe
Qty 2



Locking Collars
with 1/2" Bolts
Qty 2



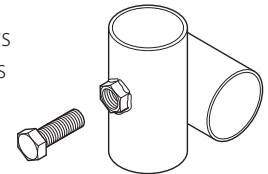
59 1/2" Long
Support Braces
Qty 2



Plastic Hubcaps
Qty 2



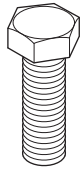
Axle Brackets
with 1/2" Bolts
Qty 2



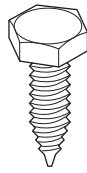
Caps
Qty 2



Hardware

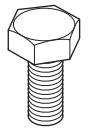


1/2" x 1 1/2" Hexhead
Bolts and Nuts
Qty 2



1/4" x 1 1/2"
Lagbolts
Qty 4

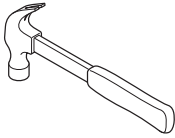
For bolting angle
brackets to a wood
frame dock



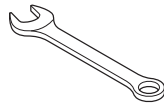
1/4" x 1"
Hexhead Bolts
Qty 4

For bolting angle
brackets to a metal
frame dock

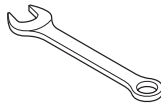
Tools



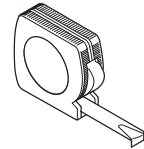
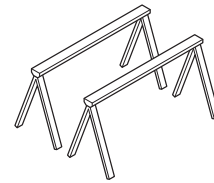
Hammer



7/16" Wrenches
Qty 2



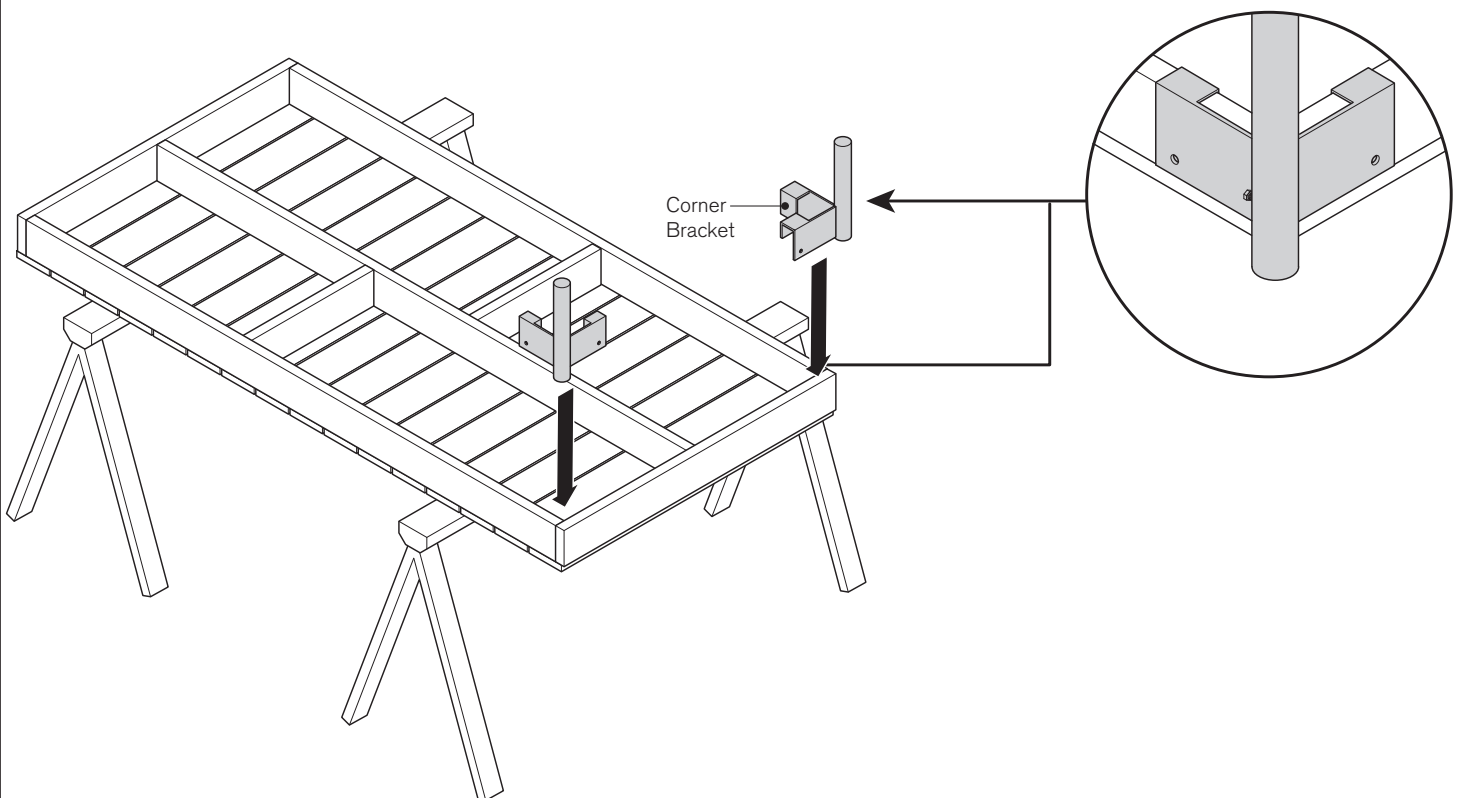
3/4" Wrenches
Qty 2



Tape Measure

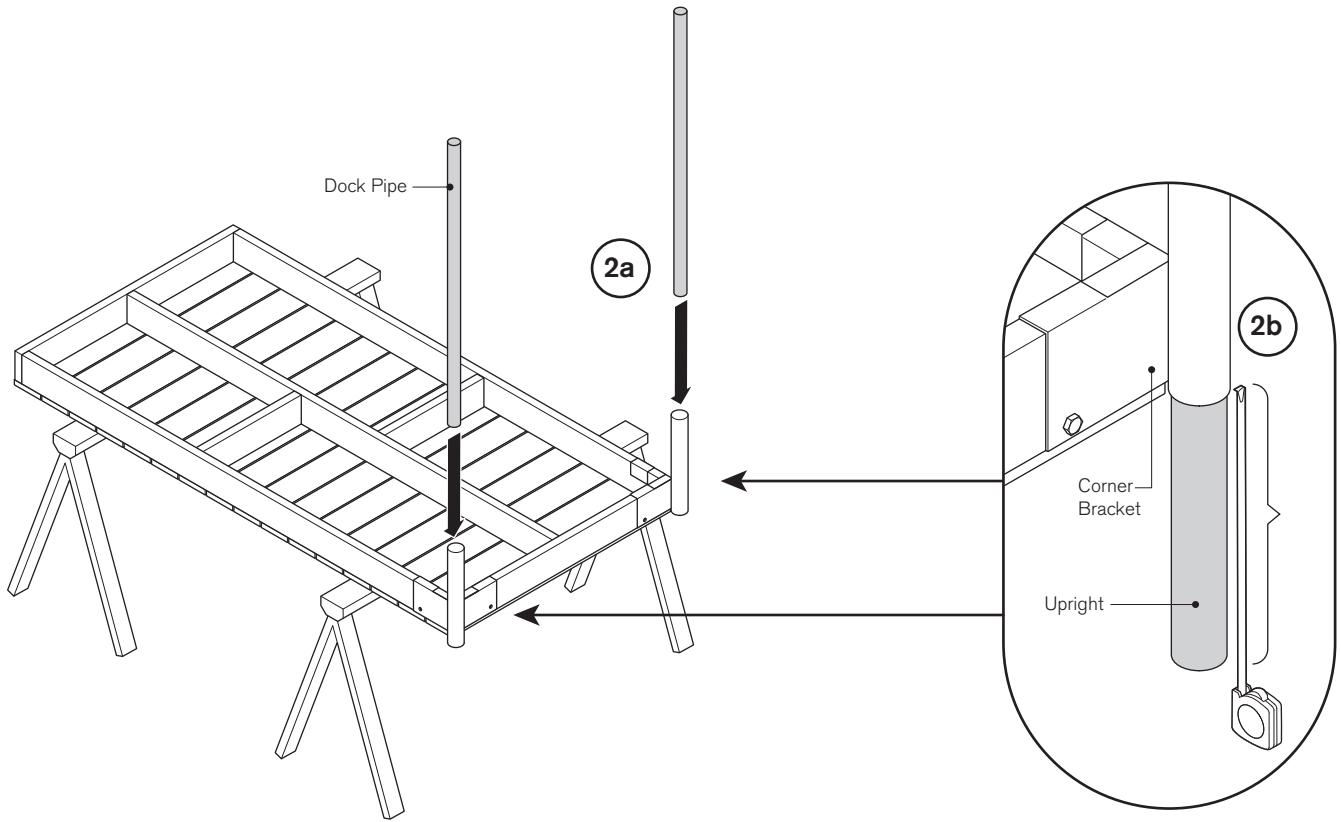
1

Flip dock section over. Align Corner Brackets to corners of section (1a) and secure each Corner Bracket using enclosed hardware. Drilling will be required for cedar only.



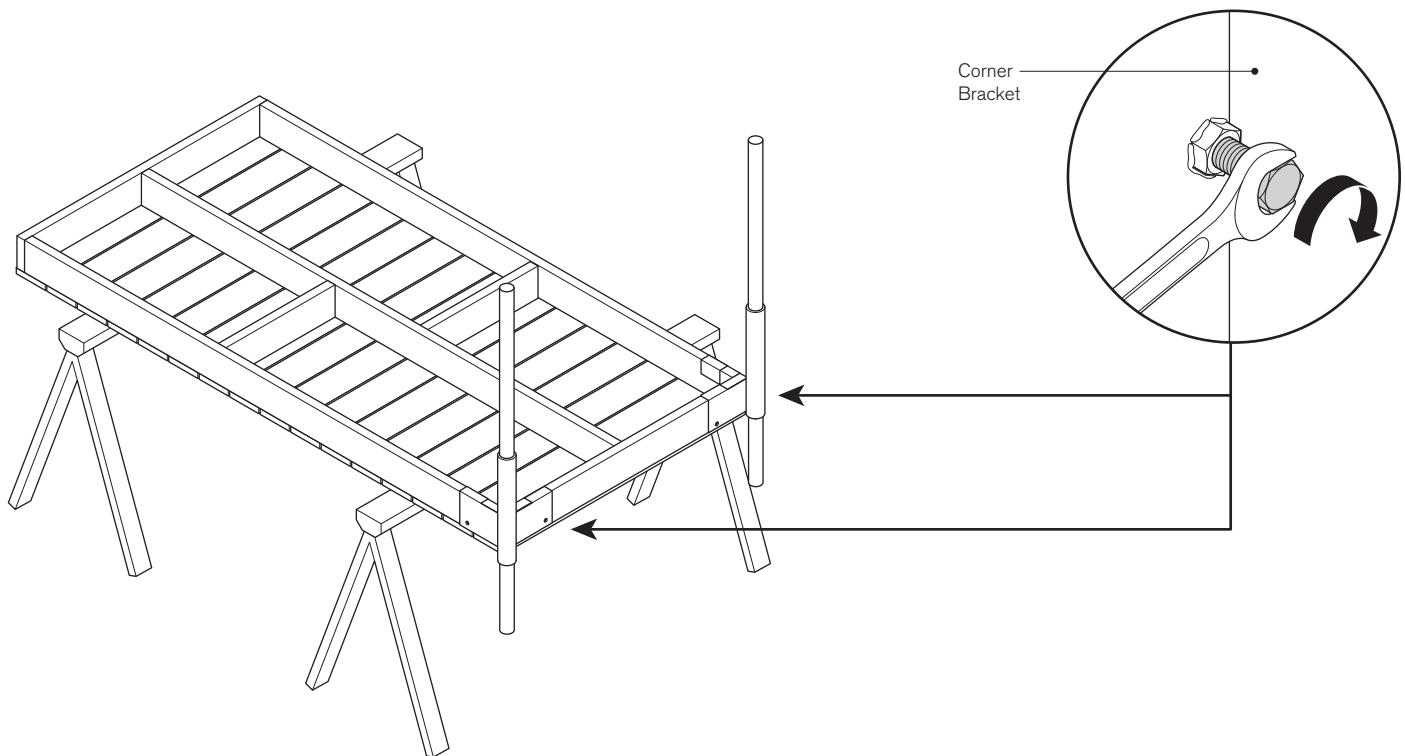
2

Slide each Dock Pipe into each Corner Bracket Sleeve (2a). Pipe should pass through sleeve and extend down about 12" (2b).

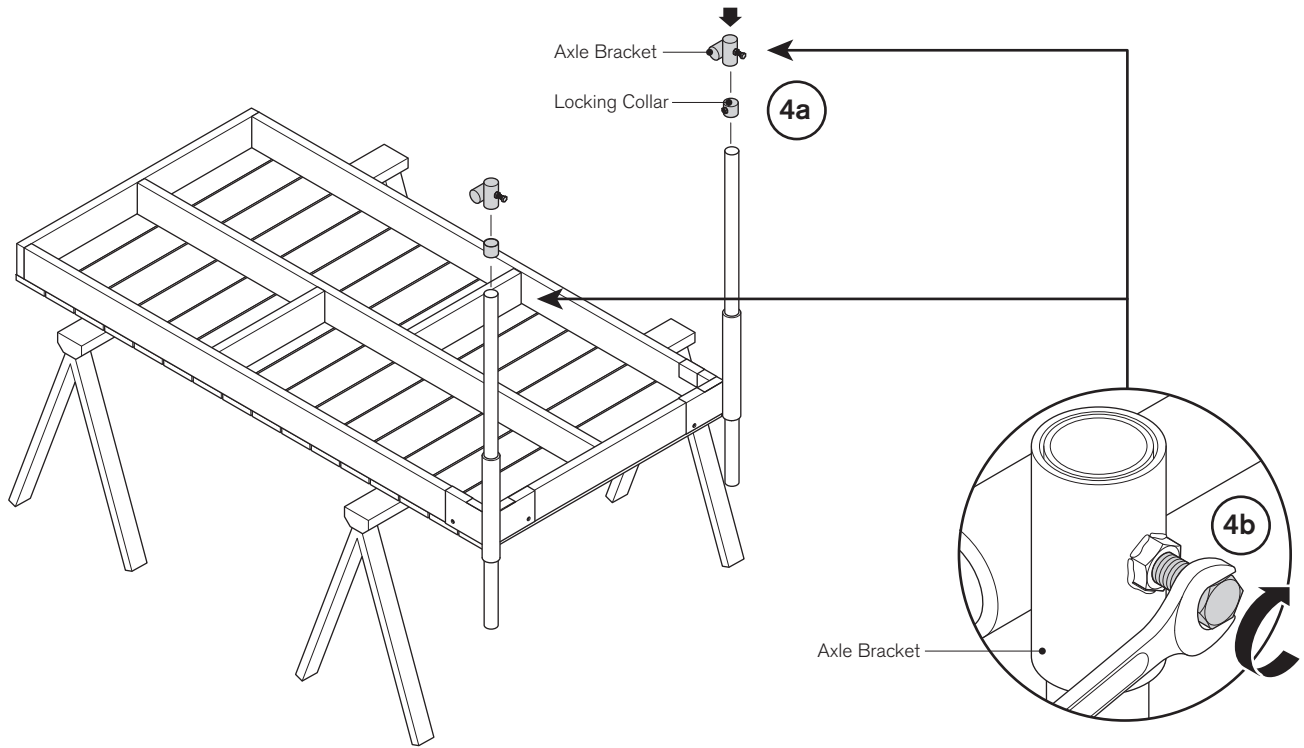


3

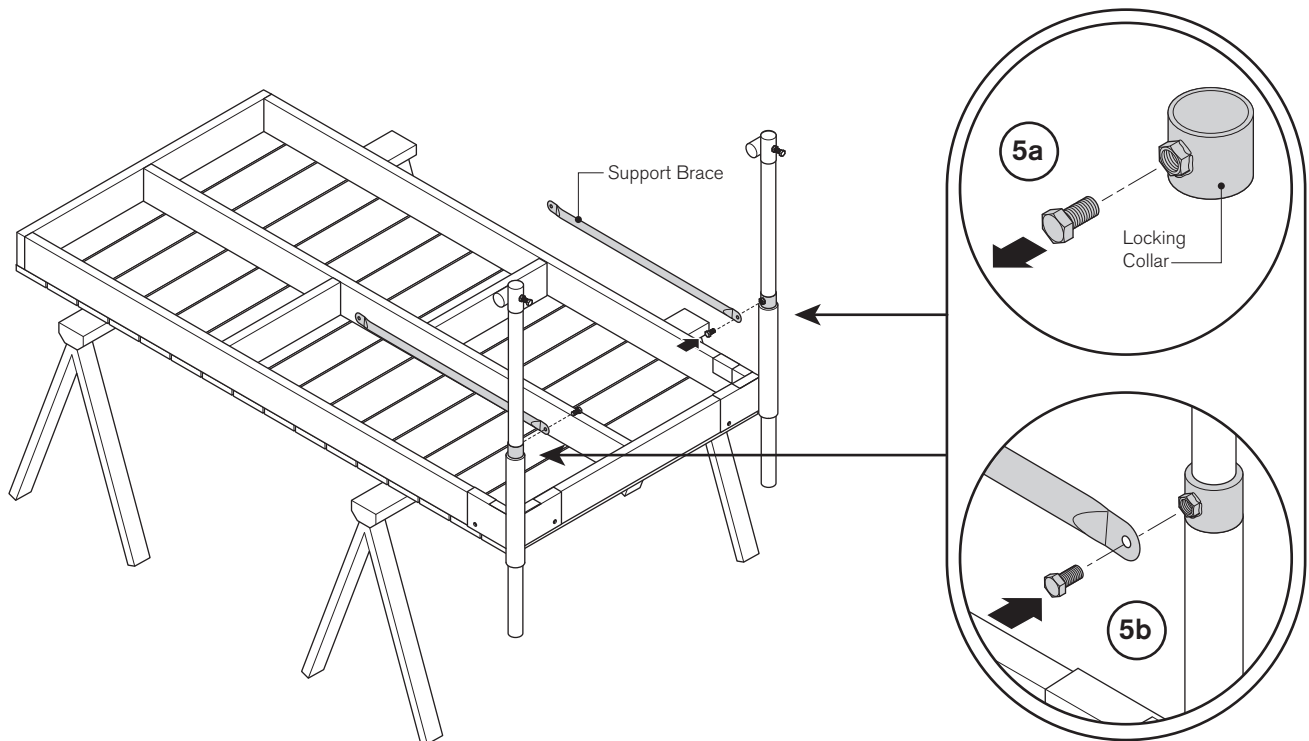
Tighten each Set Bolt located on each Corner Bracket using a wrench. If using impact driver, reduce the torque setting to low speed and less than (5).



- 4** Lower locking collar followed by Axle Bracket and each Dock Pipe onto each Upright (4a). Let each Locking Collar slide downward. Tighten bolt slightly on each Axle Bracket using a wrench (4b).

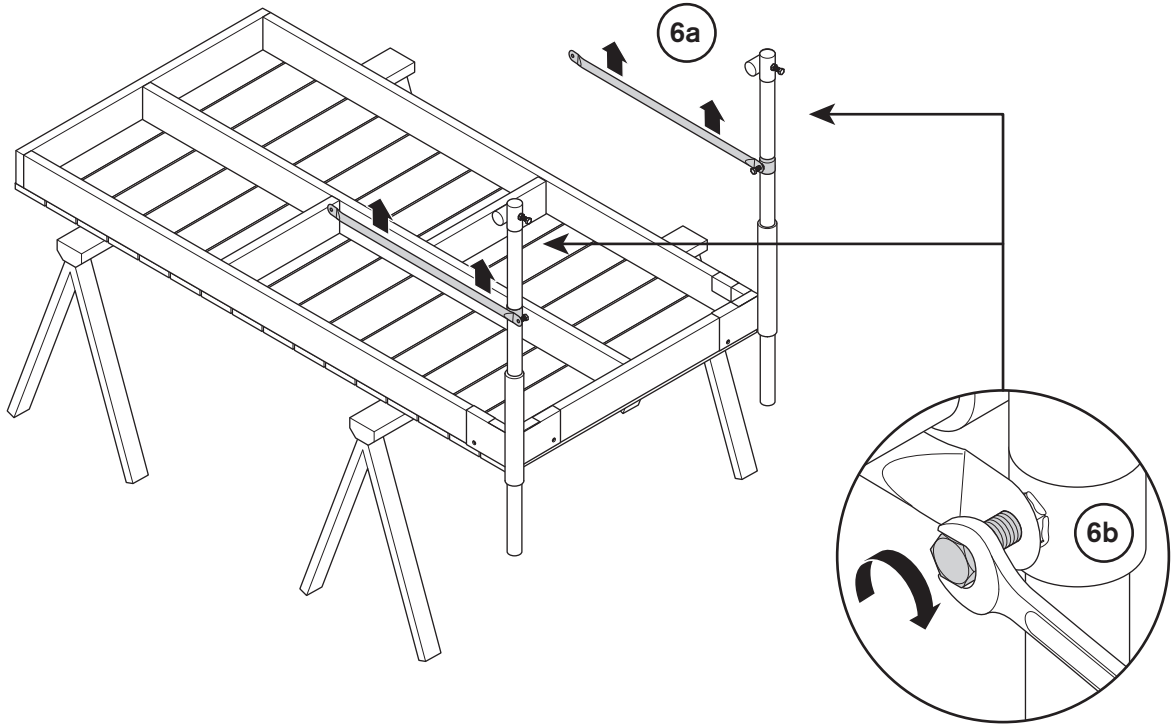


- 5** Remove each Bolt from each Locking Collar (5a). Align end of Support Brace with Locking Collar and secure using the bolt removed earlier (5b).

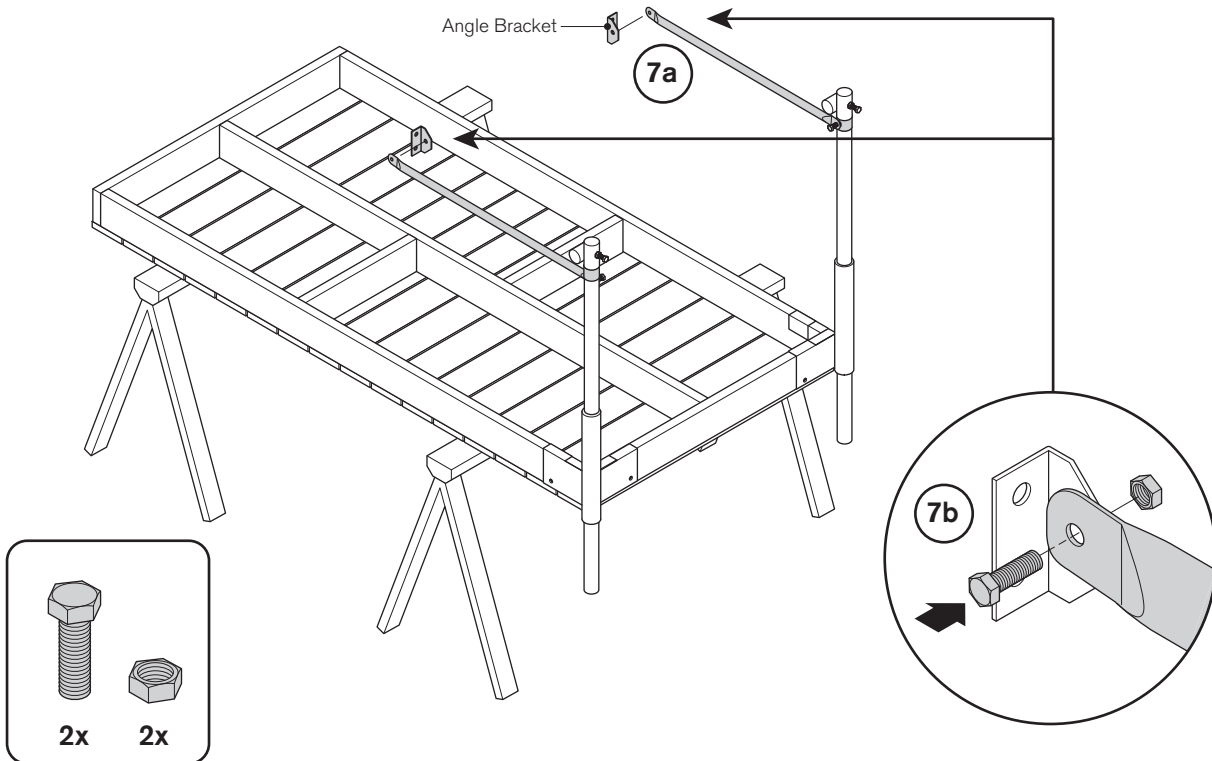


6

Lift each Support Bracket upward so it is flush with the bottom of each Axle Bracket (7a). Tighten bolt using wrench (7b).

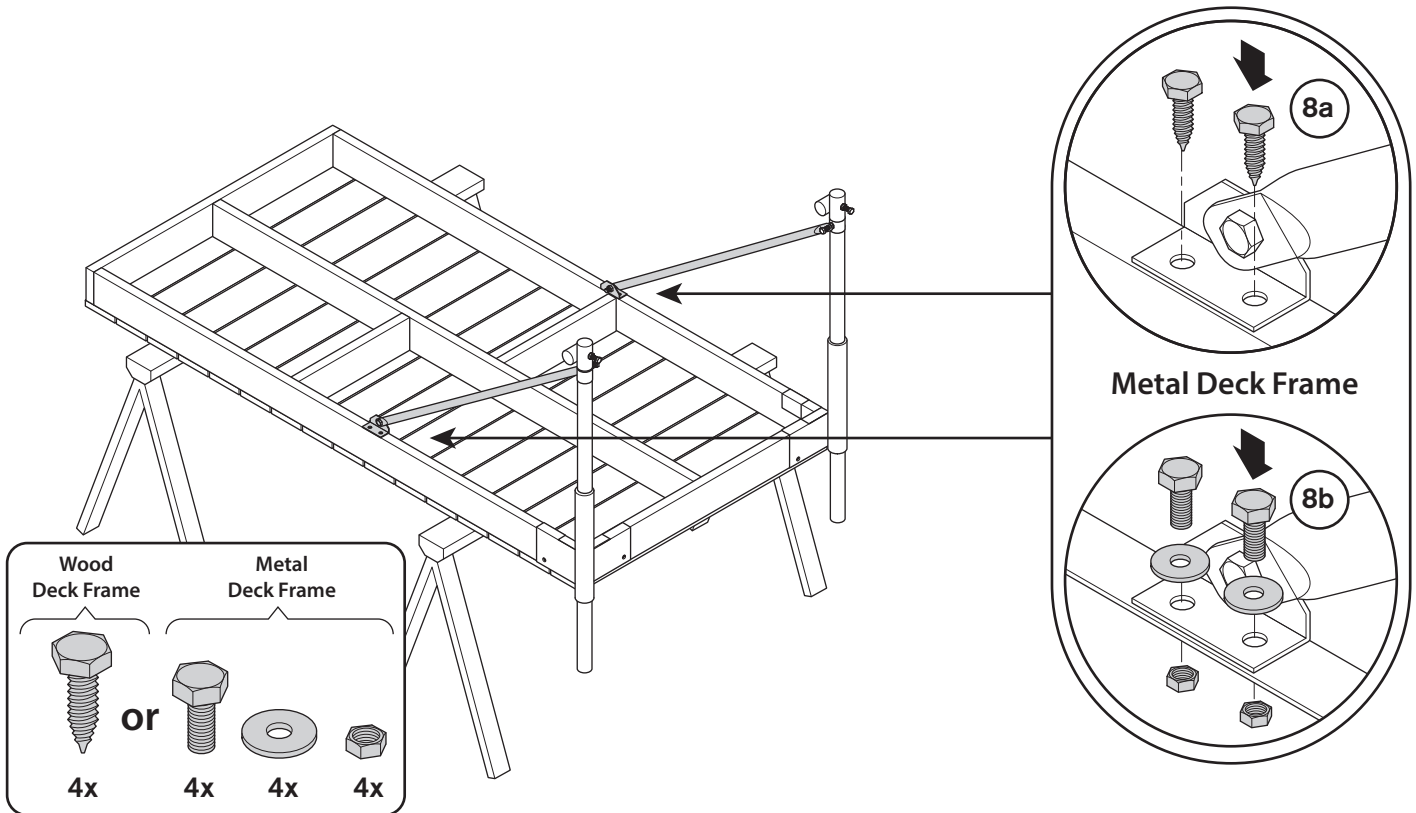
**7**

Hold Support Brace parallel to Deck Frame and align end of Support Brace with Angle Bracket. Secure each Angle Bracket to each Support Brace using one (1) Bolt and one (1) Nut (7a). Tighten using two (2) wrenches as shown (7b).

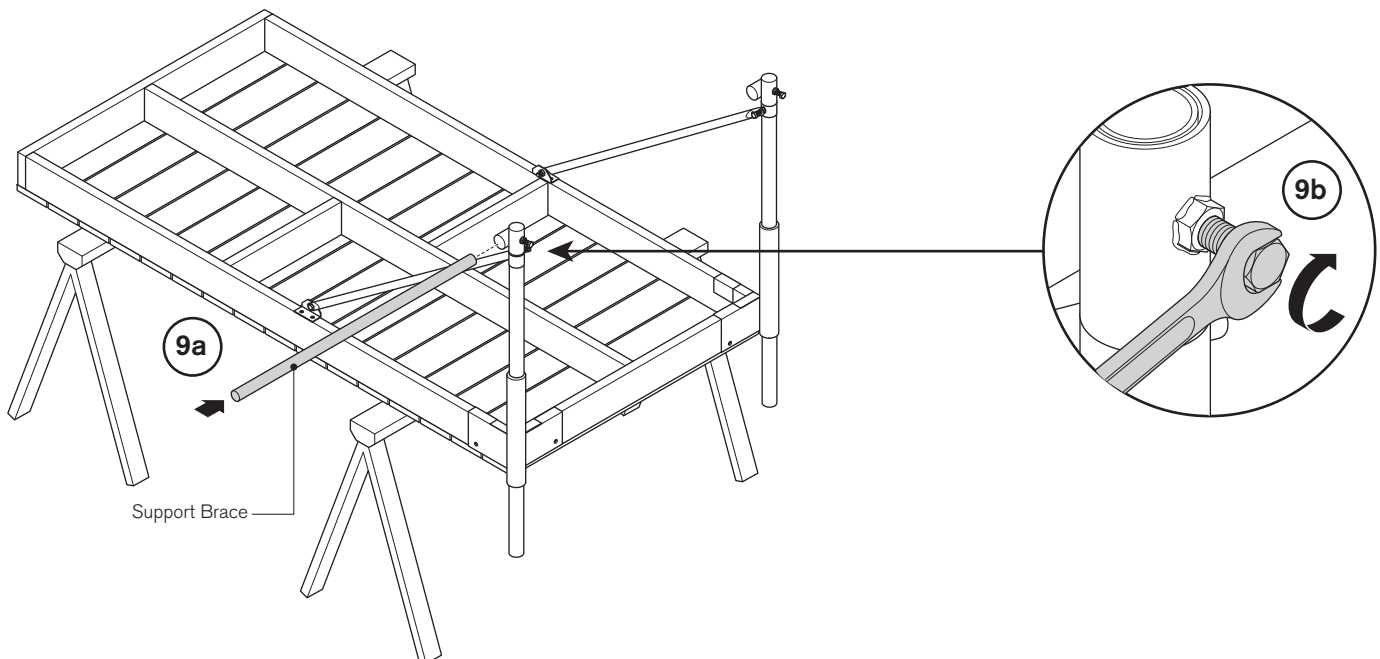


8

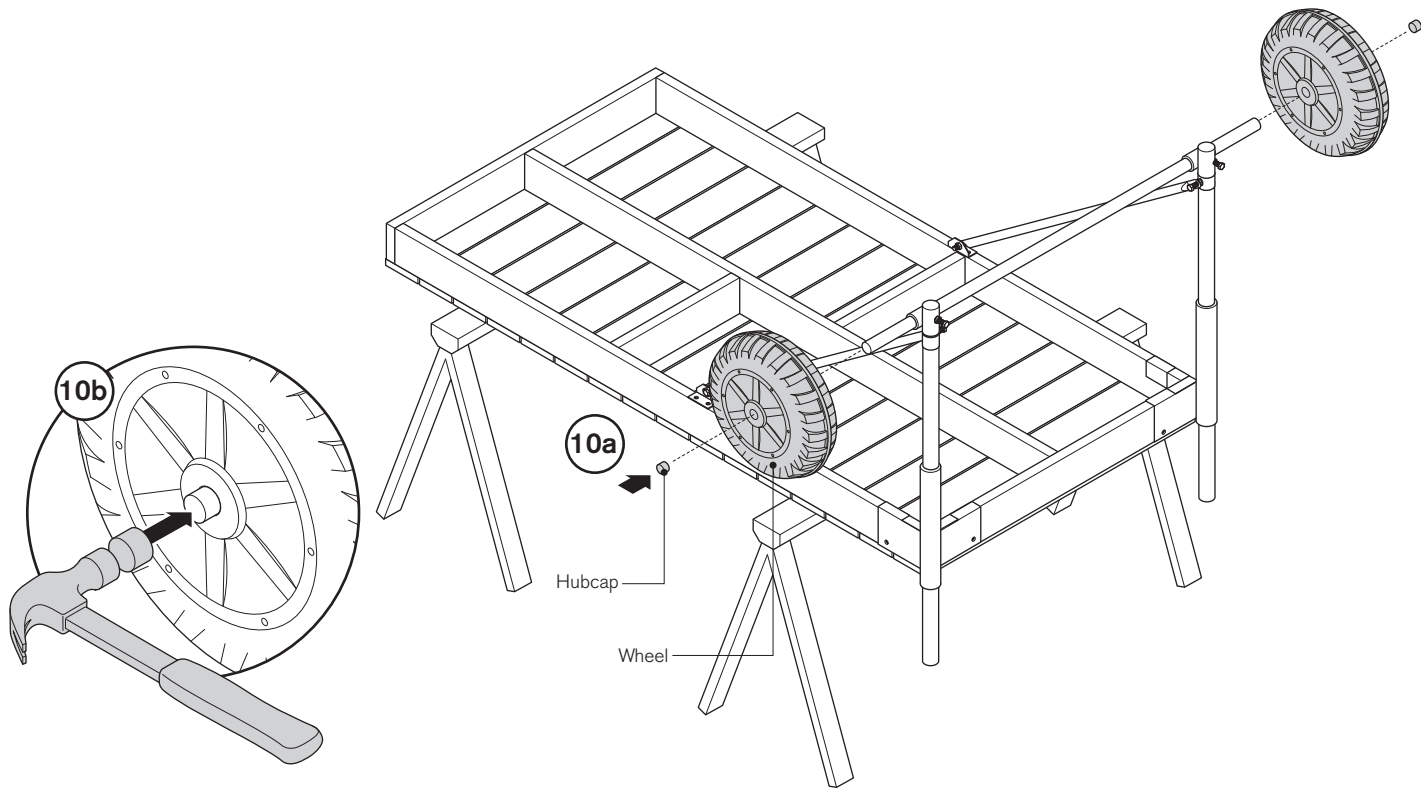
Secure each Angle Bracket to Deck Frame using two (2) Lagbolts (8a). If you are installing onto an Metal Deck Frame, secure each Angle Bracket to Metal Deck Frame using two (2) Hexhead Bolts, Two (2) Nuts and Two (2) Washers per Angle Bracket (8b).

**9**

Insert Axle through both Axle Brackets (9a). Tighten Bolt using wrench (9b).



10 Slide each Wheel onto axle (10a) and secure by placing a hubcap onto end of axle and pounding with a hammer (10b).



11 Flip assembly over (12a). Insert Cap onto top of each Upright (12b).

