



Tommy Docks

4003 Dixie Ave, Wausau, WI 54401

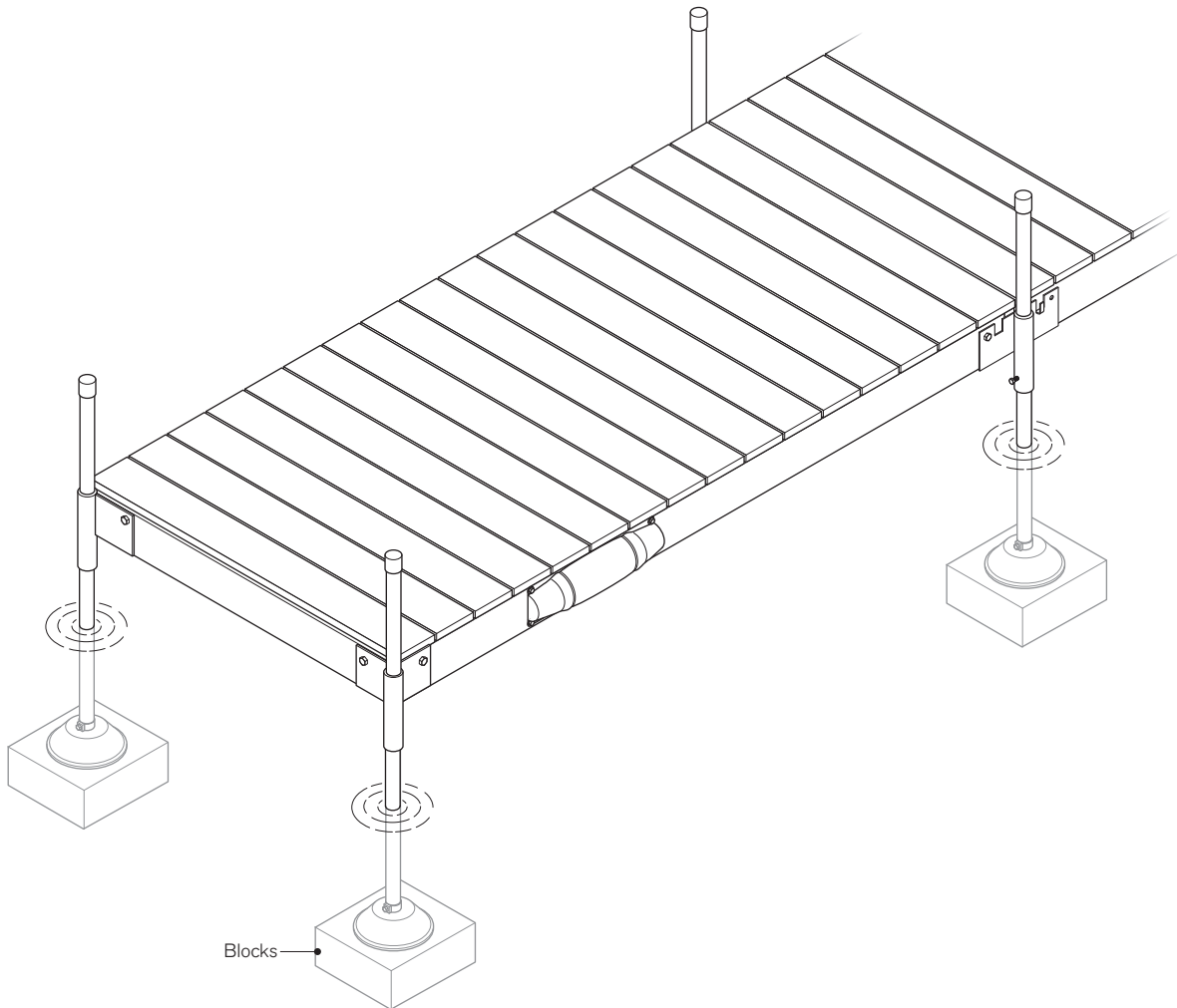
Phone : 715-842-3804

Toll Free : 866-675-1880

Fax : 715-842-3420

Installation of Tommy Docks® in Water (first year only)

Assembly Instructions



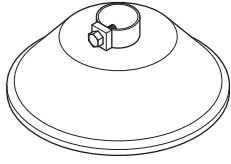
Thank you for choosing our Tommy Dock Interlocking system. The following instructions assume you have chosen your Tommy Dock layout and examined the bill of materials. The bill of materials describes all necessary hardware, post (refer to post length formula), and optional accessories to assemble and install your Tommy Dock system. Ask your dealer for answers to any questions you may have.

Note: These instructions include the use of our styrofoam log. Our styrofoam log makes it possible for one person to install our Tommy Dock system. A two-person installation is recommended while using the styrofoam log for assistance.

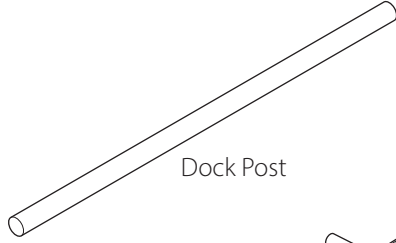
Caution: Use only cordless power tools when near or on water.

www.tommydocks.com

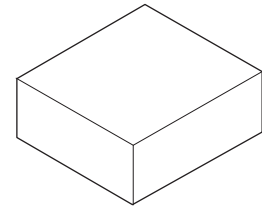
Roll-In Dock Kit Components



Footpad



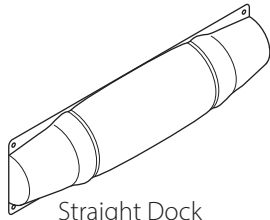
Dock Post



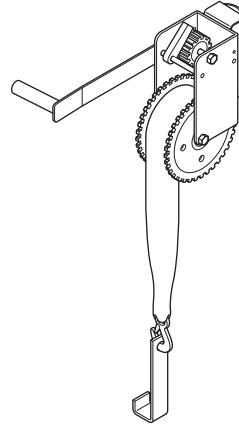
Blocks



L-Pin



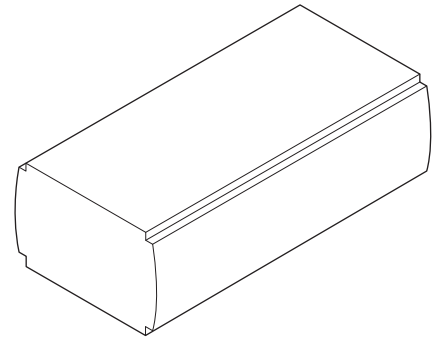
Straight Dock Bumper



Winch Lock Leveler



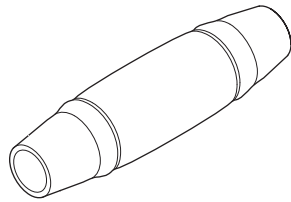
Safety Cap



Styrofoam Log

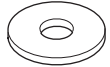
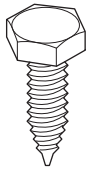


Auger Foot



Pipe Bumper

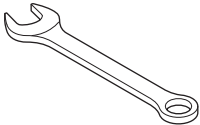
Hardware



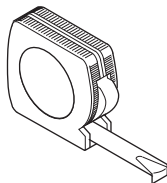
1/4" x 1 1/2"
Lagbolts
Qty 4

For Straight Dock Bumper

Tools



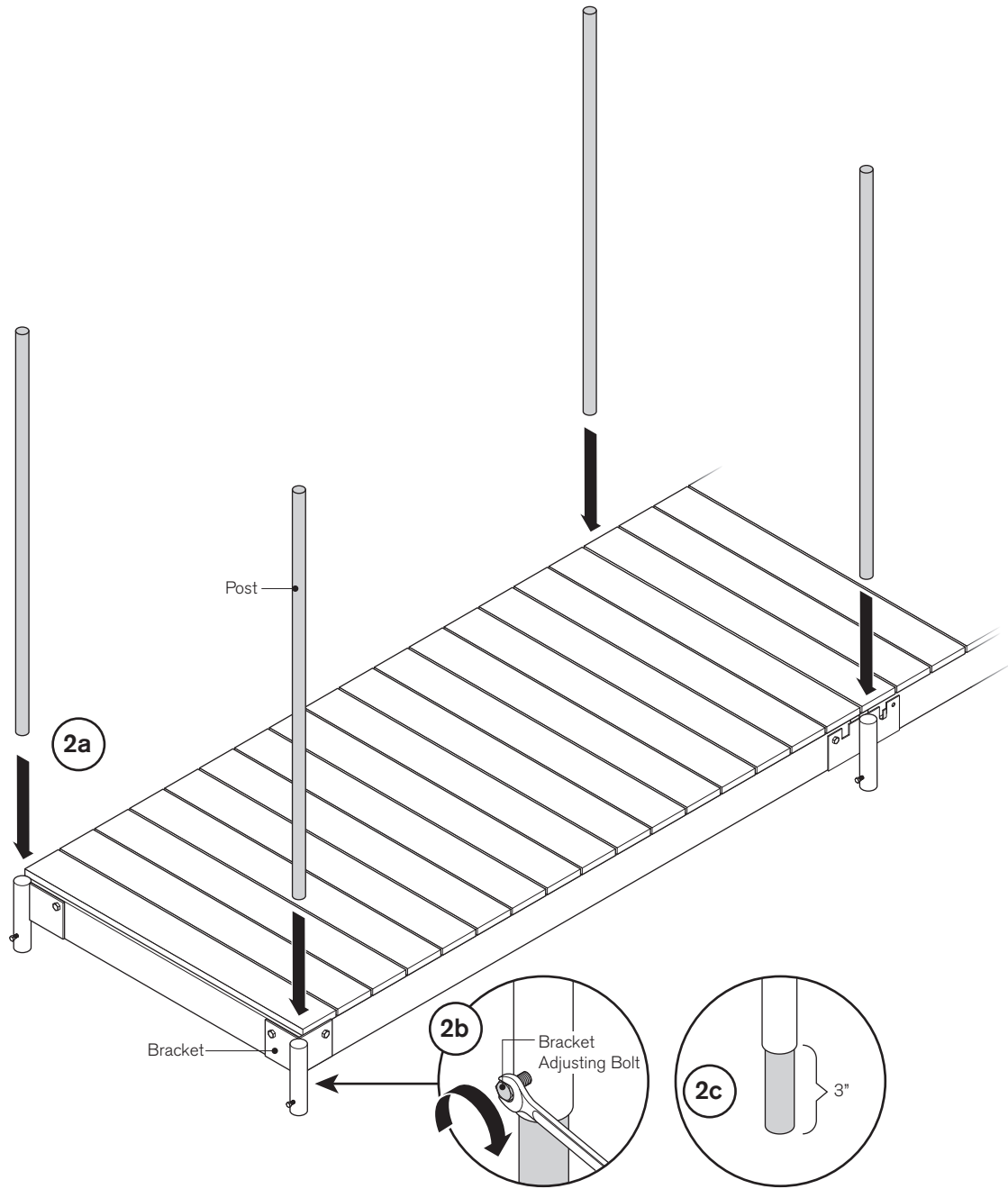
1/2" Wrenche
Qty 1



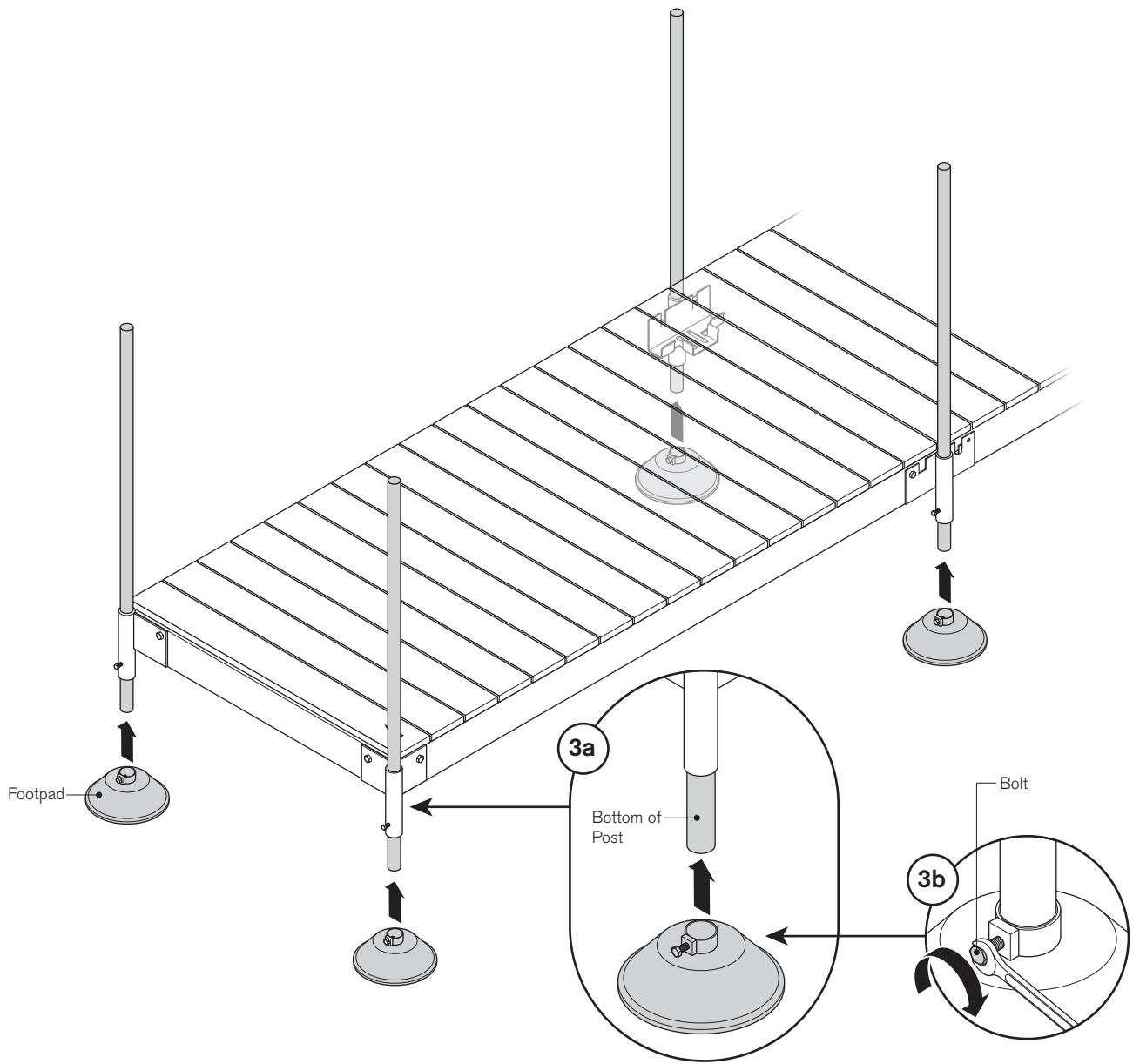
Tape Measure

1 We recommend you level your shoreline with Blocks. Level shoreline Blocks will stabilize your dock and ensure a good start. While on shore, install Brackets on section (refer to dock layout and bracket installation sheets for correct bracket location and installation). We recommend the use of sawhorses or other suitable level work area for hardware installation. When installing Brackets for a tee section, measure correct distance of mating docks (standard width is 47-3/4").

2 Install predetermined length of Post through Brackets (2a) and temporarily tighten Bracket Adjusting Bolts (2b) leaving 3" of post below the bottom of each Bracket (2c).

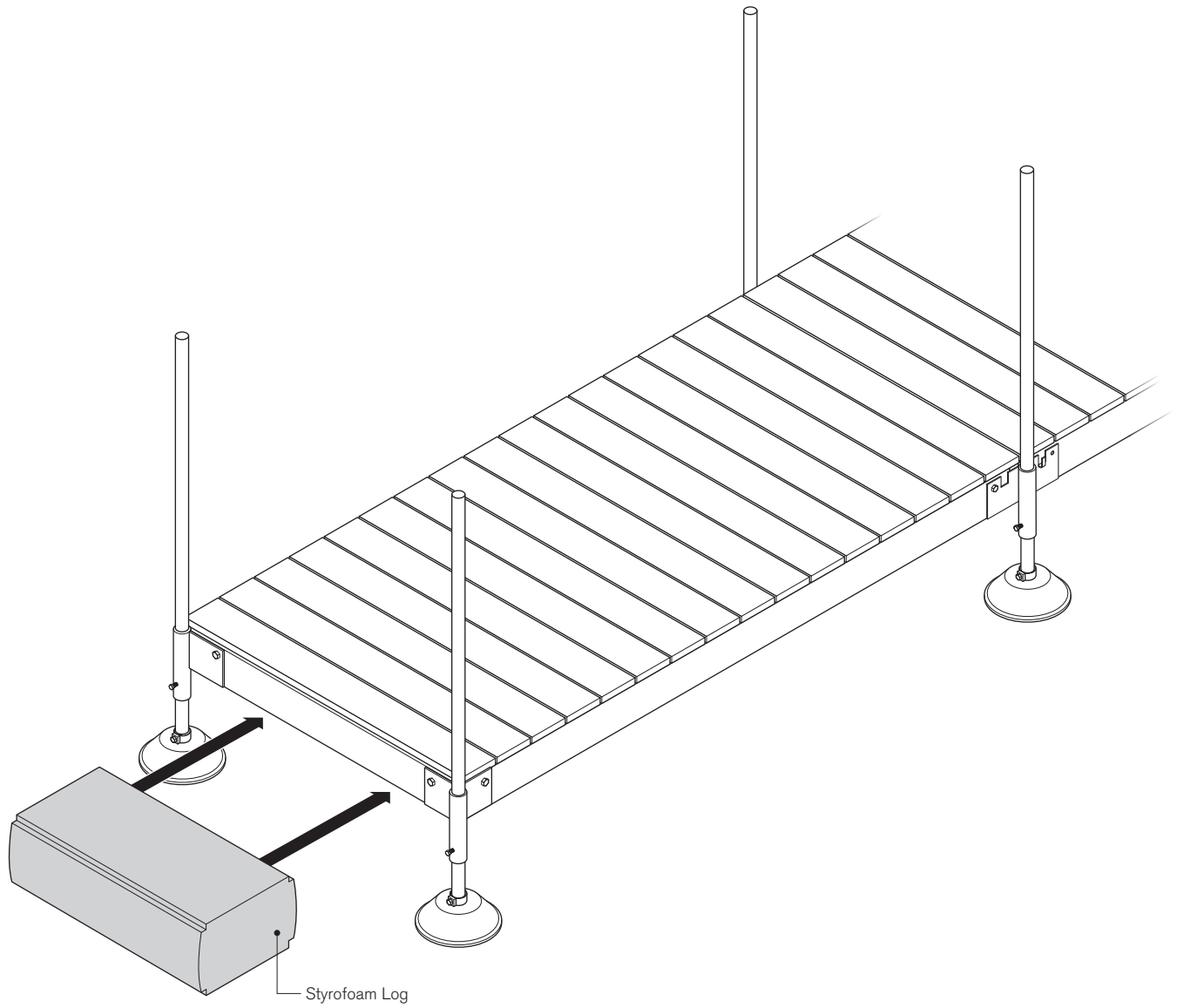


3 Install Footpad to the bottom of the Post (3a) and tighten Bolt at the top of the Footpad to secure its position (3b).



4

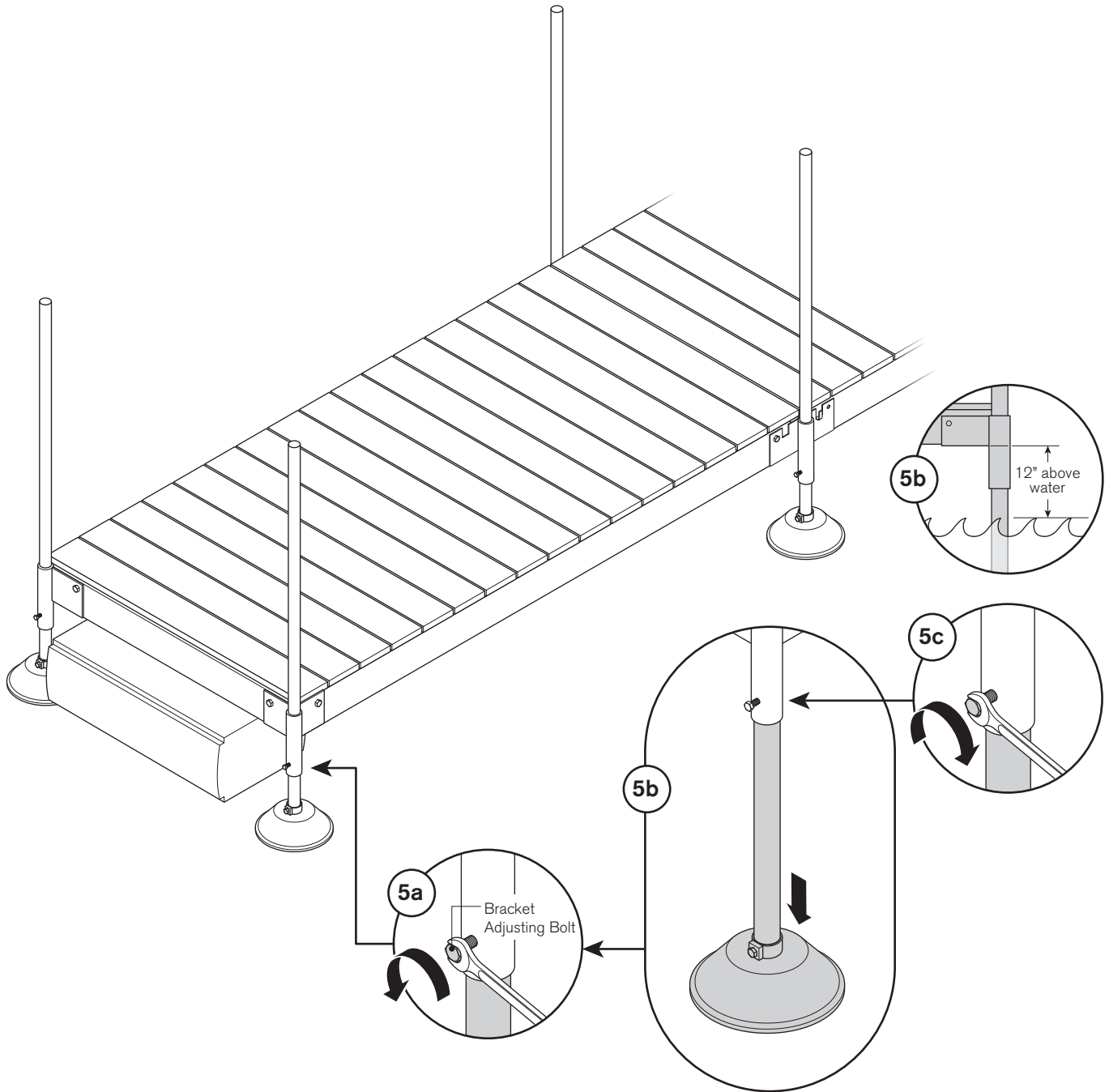
After Brackets, Posts, and Footpads are installed on a section, slide Styrofoam Log under far end of section and float into position. Once in place, walk out to Bracket locations.



5

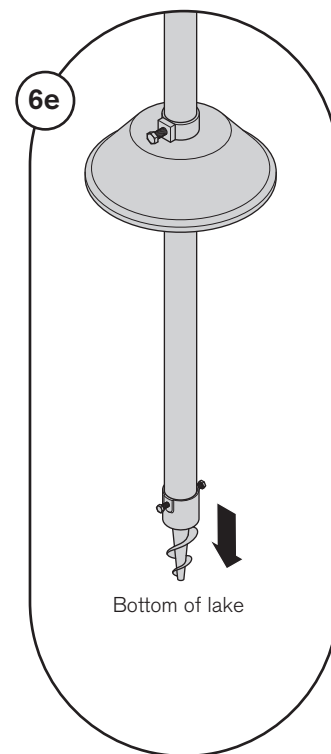
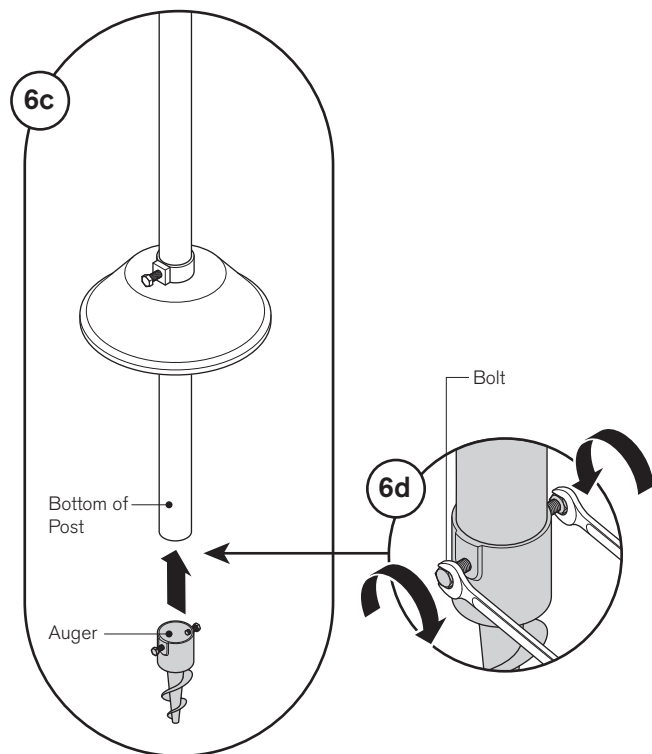
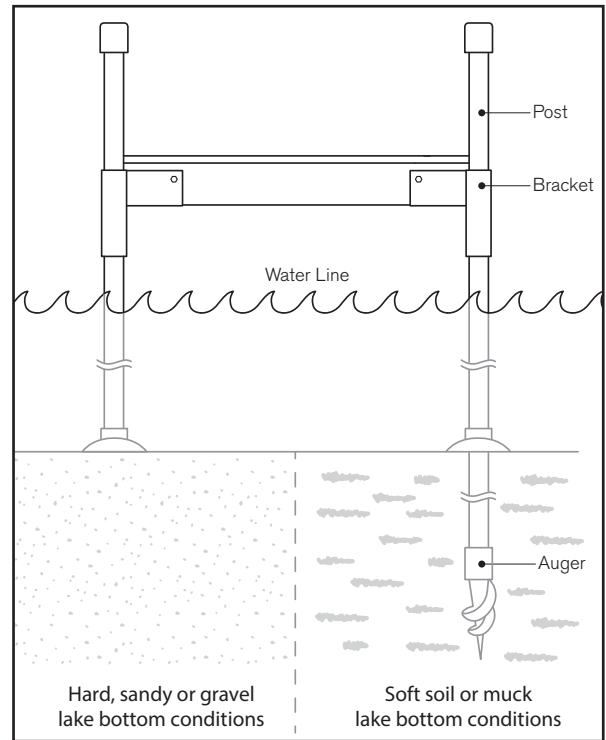
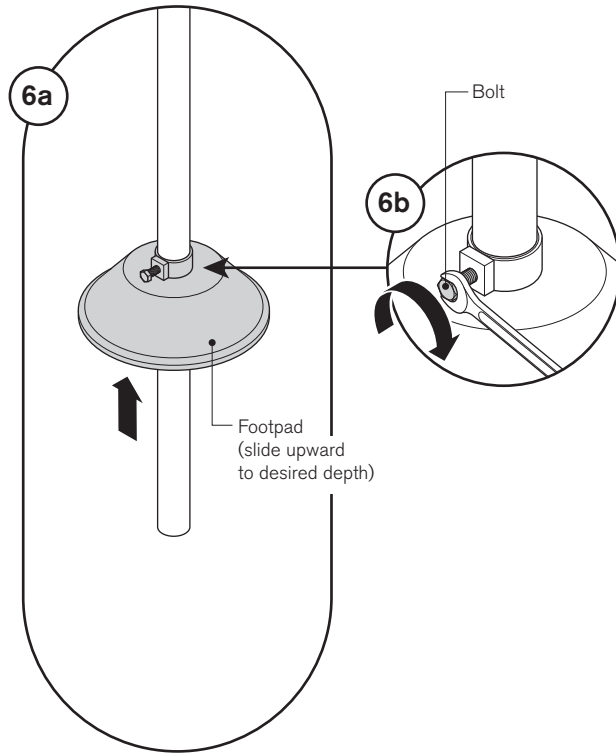
Loosen Bracket Adjusting Bolt (5a) and let Post slide down to the bottom of the lake (5b). Once dock is at desired height (12" is recommended) (5c), tighten Bracket Adjusting Bolt (repeat this step for each Bracket) (5d). Repeat steps 2-5 for each dock section to be installed.

Note: Refer to dock layout for proper dock configuration.



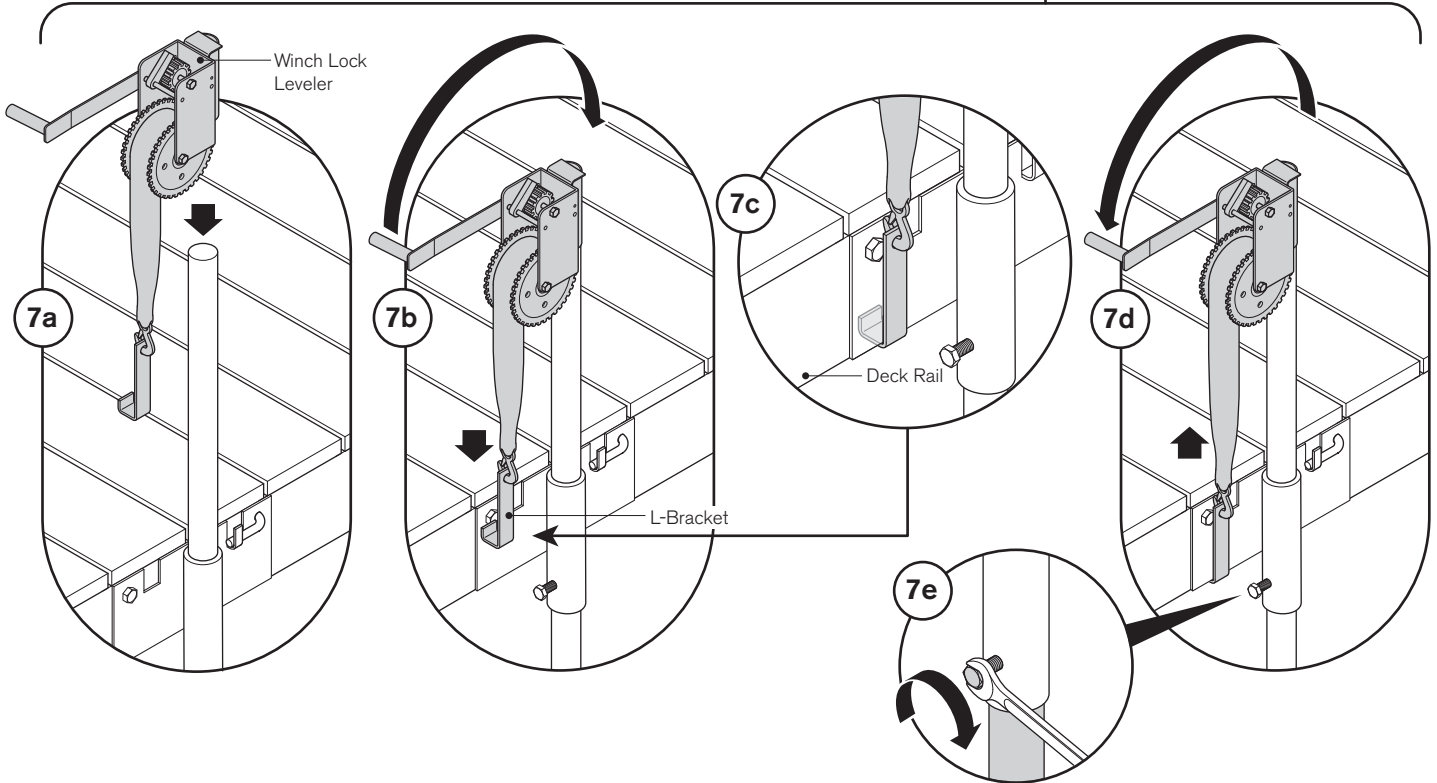
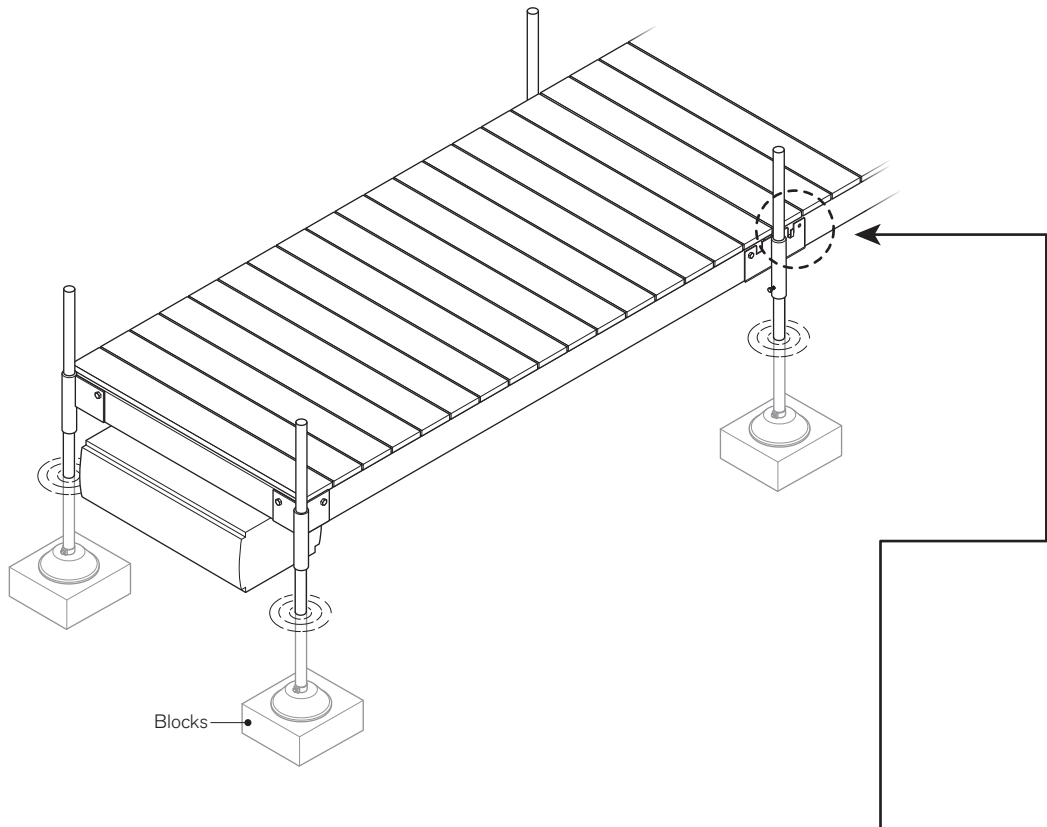
6

If using Auger Feet, slide the Footpad up to desired depth (Footpad depth depends on bottom surfaces such as hard, soft, or rocky conditions, etc.) (6a) and tighten Bolt at the top of the Footpad to secure its position (6b). Position the Auger at the bottom of the Post (6c). Once in position, tighten the two Bolts on the Auger Foot until they are secure (6d). Slide Post down until the Auger touches the bottom of the lake (6e). Attach a post wrench to the Post and turn clockwise until the Footpad touches the bottom of the lake.

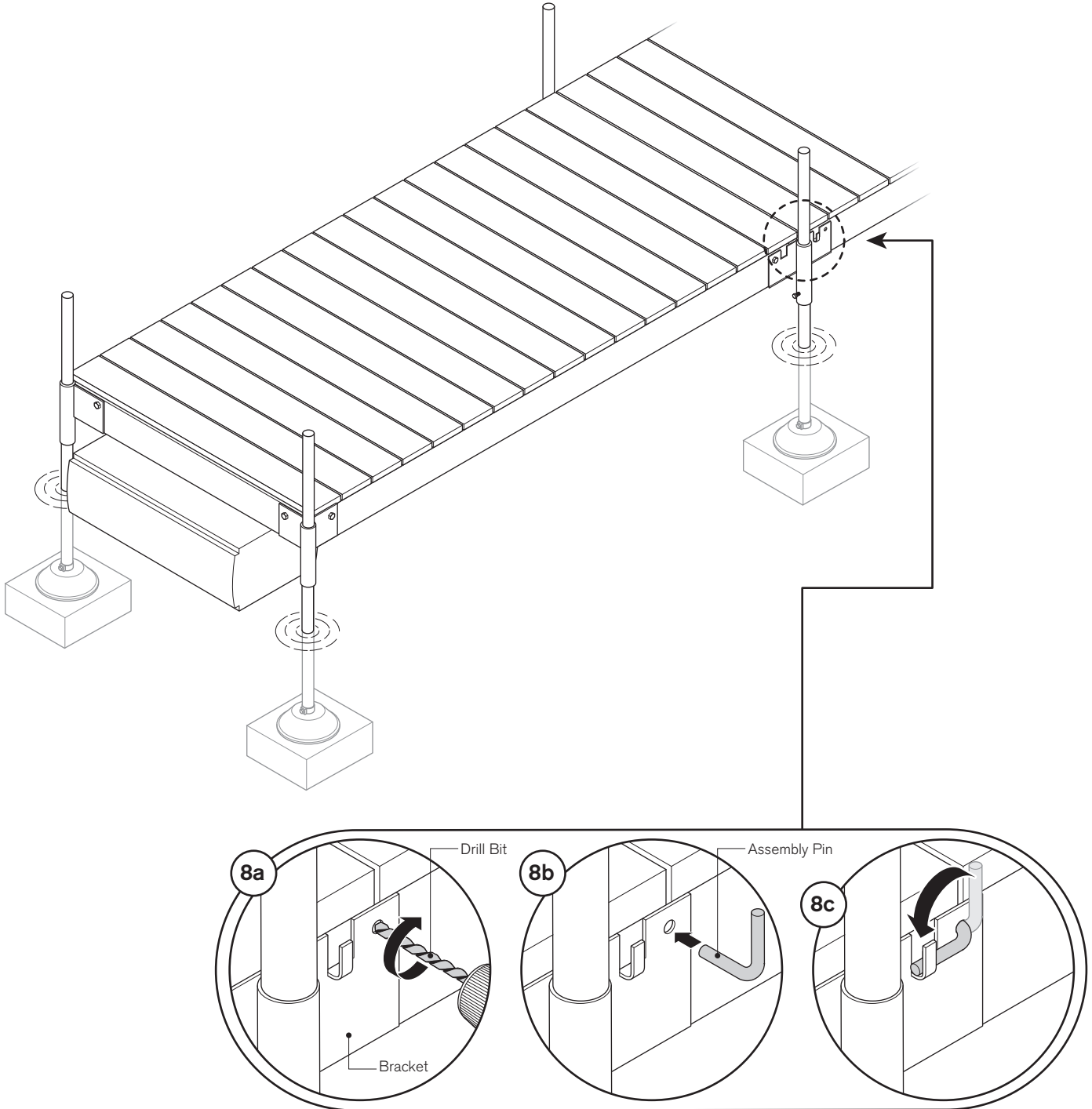


7

Level dock by lowering Winch Lock Leveler onto pole (7a). Turn Winch Lock Leveler handle to lower strap with L-Bracket (7b). Place L-Bracket underneath Deck Rail (7c). Turn Winch Lock Leveler handle to raise deck until level (7d). Tighten bracket adjusting bolt on bracket (7e).



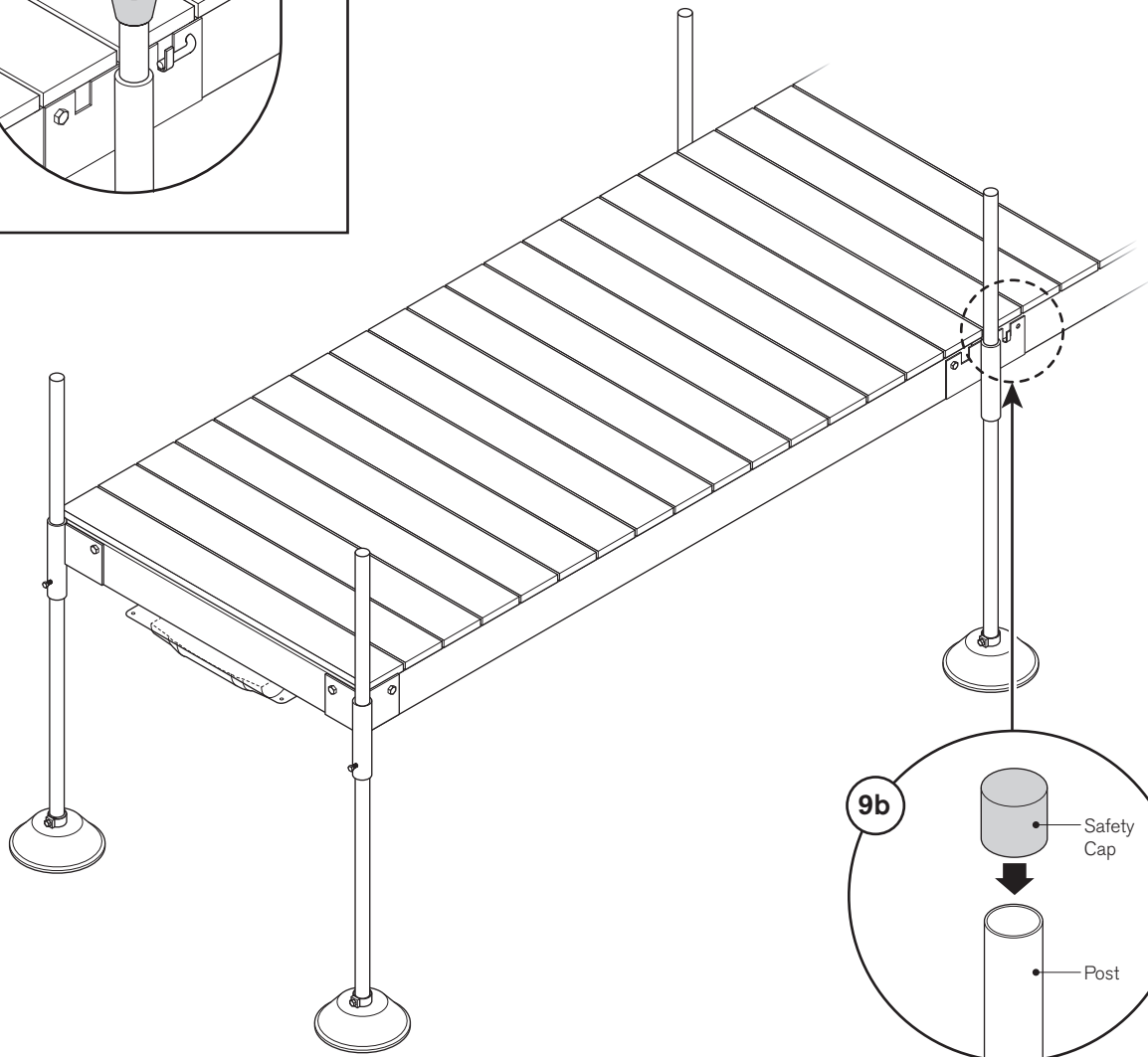
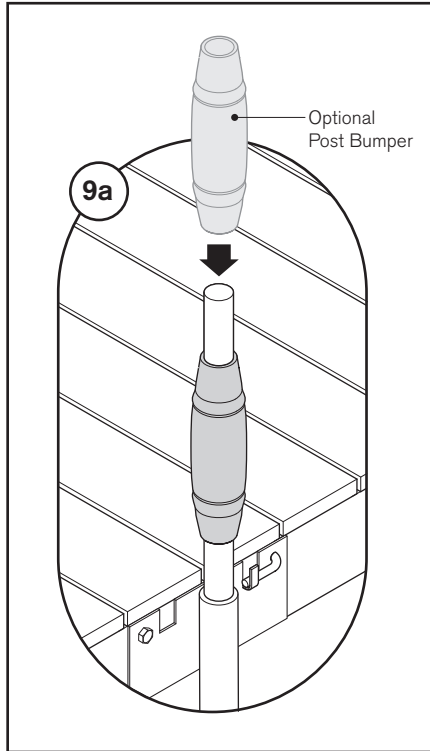
8 Drill all holes for Assembly Pins (8a). Insert Assembly Pin into hole of bracket (8b) and rotate downward so the Assembly Pin locks into place (8c). Install remaining Assembly Pins where applicable.



9

Install Post Bumpers (optional), and refer to available option sheet for bumper installation instructions (9a). Install all Safety Caps onto each post (9b).

Note: If your dock settles or if water level fluctuates, the leveling operation should be done without removing L pins. When mooring your crafts at docks, replace 1/2-13x2-1/4" bolts with 1/2-13x3" eye bolts where needed (do not use L pin holes). Mark each dock section to make next spring's installation easy.



10

Install Straight Dock Bumper using four (4) 1/4" x 1-1/2" Lagbolts and four (4) Washers.

